



Cat5e Booted Shielded (STP) Network Patch Cables

- Supports voice/data/video distribution applications up to 350 MHz
- Fully shielded to protect from EMI/RFI interference
- Meets all Cat6 TIA/EIA-568-C.2 standards
- Lifetime Warranty

Specifications: Cat5e Booted Shielded (STP) Network Patch Cables

Electrical Characteristics:

Conductor DC Resistance:	9.38Ω/100m (maximum)
Impedance:	100Ω
Capacitance:	5600pf/100m
Propagation Delay:	545ns/100m (maximum)
Delay Skew:	45ns/100m (maximum)

Physical Characteristics:

Wiring Scheme:	T568B
Temperature Rating:	60°C
Voltage Rating:	30V
Approvals:	CE
Warranty:	Lifetime
Package Type:	Polybag

Conductor (4 Pair):

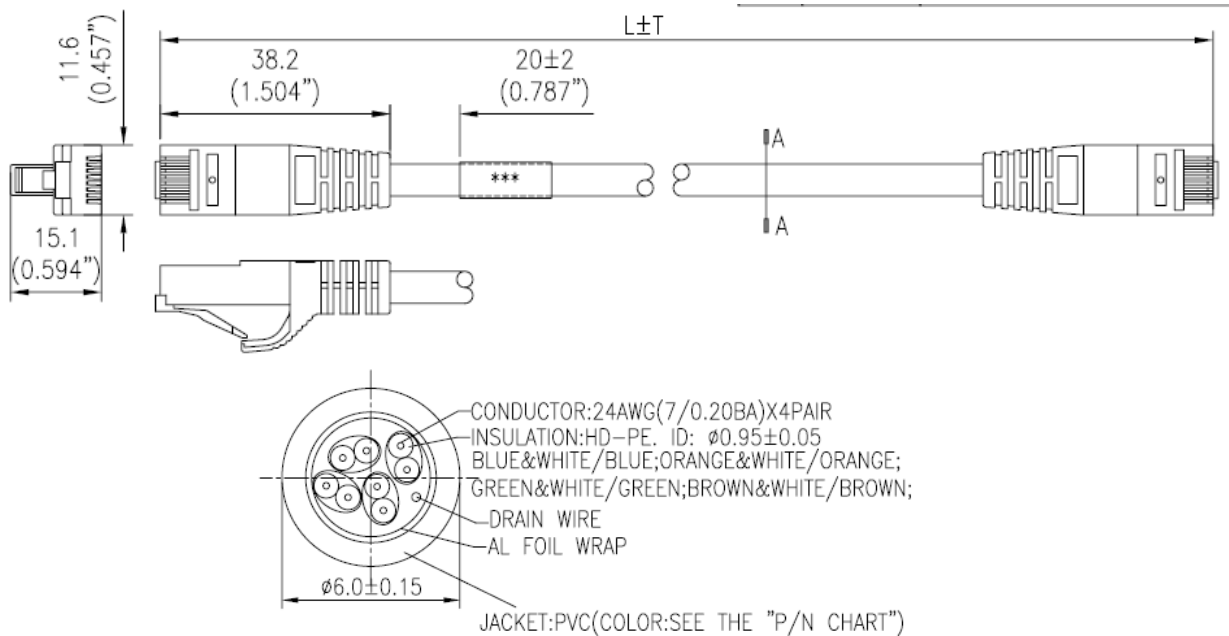
Conductor:	24AWG (7/0.20 BA)
Insulation:	HD-PE ID: $\varnothing 0.95 \pm 0.05$
Twist Pair:	Blue & White/Blue; Orange & White/Orange; Green & White/Green; Brown & White/Brown

Connector Type (Qty 2)

Connector Type:	8P8C (RJ45)
Gender:	Male
Contacts:	Gold Plated 50μ with Metal
Shell:	
Hood:	Molded PVC, UL94V-0

Overall Cable

Jacket:	PVC
Shield:	AL Foil Wrap
OD:	6.0 ± 0.15



Specifications: Cat5e Booted Shielded (STP) Network Patch Cables

Length	Grey	Blue	Black	White	Red	Yellow	Green
1m	83750	83770	83850	83880	83790	83810	83830
2m	83751	83771	83851	83881	83791	83811	83831
3m	83752	83772	83852	83882	83792	83812	83832
4m	83753	83773	83853	83883	83793	83813	83833
5m	83754	83774	83854	83884	83794	83814	83834
7m	83755	83775	83855	83885	83795	83815	83835
10m	83756	83781	83860	83886	83800	83821	83840
15m	83756	83776	83856	83887	83796	83816	83836
20m	83758	83777	83857	83888	—	—	—
30m	83759	83778	83858	83889	—	—	—
50m	83759	83779	83859	83890	—	—	—
100m	83760	83780	—	—	—	—	—

