

FL40-450BL12

NEOMOUNTS BY NEWSTAR TV POLE MOUNT

SPECIFICATIONS

GENERAL

Min. screen size*	23 inch
Max. screen size*	42 inch
Min. weight	0 kg (per screen)
Max. weight	25 kg (per screen)
Screens	1
VESA minimum	75x75 mm
VESA maximum	200x200 mm
Distance to wall	7,6-32,2 cm

FUNCTIONALITY

Type	Full motion Tilt Rotate Swivel
Depth adjustment	7,6-32,2 cm
Tilt (degrees)	+10°, -15°
Swivel (degrees)	180°
Height	22,6 cm
Width	22,6 cm
Depth	41,4 cm

INFORMATION

Color	Black
Main material	Steel
Warranty	5 year
EAN code	8717371449025

*Please note: The inch sizes stated are just an indication, combined with the weight and VESA sizes. The maximum weight and VESA size are absolute restrictions for the products and should not be exceeded.



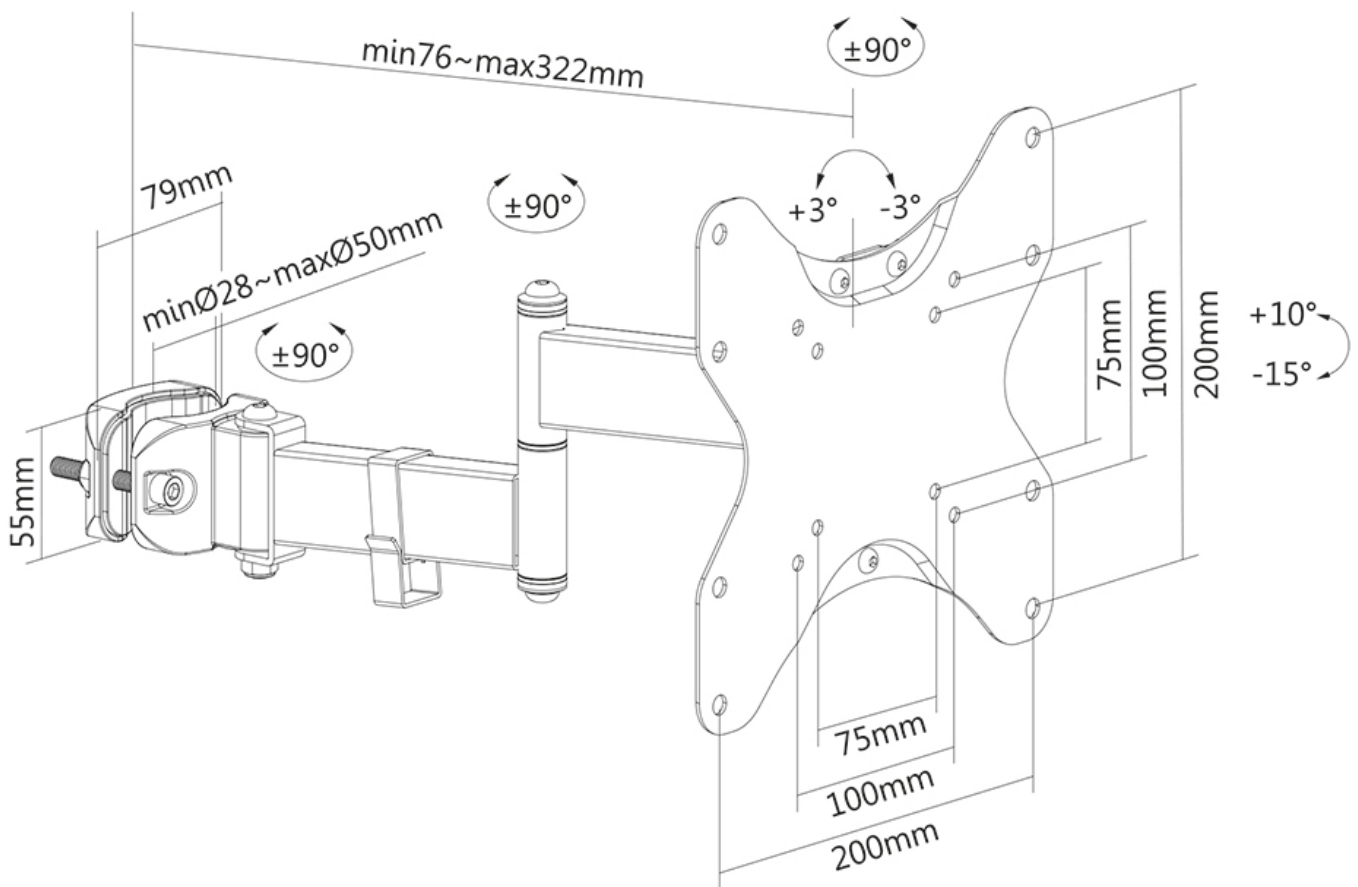
Neomounts by Newstar FL40-450BL12 full motion TV pole mount (Ø28-50 mm) for 23-42" screens - Black

The Neomounts by Newstar FL40-450BL12 is a full motion pole mount for flat screens up to 42" with a maximum weight capacity of 25 kg. The versatile tilt (25°) and swivel (180°) technology allows you to create the optimum viewing angle. The mount can be levelled for the perfect installation.

The FL40-450BL12 has a depth of 7,6-32,2 cm and is suitable for screens that meet VESA hole pattern 75x75 to 200x200 mm. The mount is equipped with a cable management system to secure and route any loose cables.

FL40-450BL12

NEOMOUNTS BY NEWSTAR TV POLE MOUNT



Neomounts