

FPMA-VESA100

NEOMOUNTS BY NEWSTAR VESA ADAPTER

SPECIFICATIONS

GENERAL

Min. screen size*	10 inch
Max. screen size*	30 inch
Min. weight	0 kg (per screen)
Max. weight	25 kg (per screen)
Screens	1
VESA minimum	75x75 mm
VESA maximum	100x100 mm

FUNCTIONALITY

Type	Fixed
Adjustment type	None

INFORMATION

Color	Black
Main material	Steel
Warranty	5 year
EAN code	8717371440213

*Please note: The inch sizes stated are just an indication, combined with the weight and VESA sizes. The maximum weight and VESA size are absolute restrictions for the products and should not be exceeded.



Neomounts

Neomounts by Newstar VESA Conversion Plate from VESA 75x75mm to 100x100mm - Black

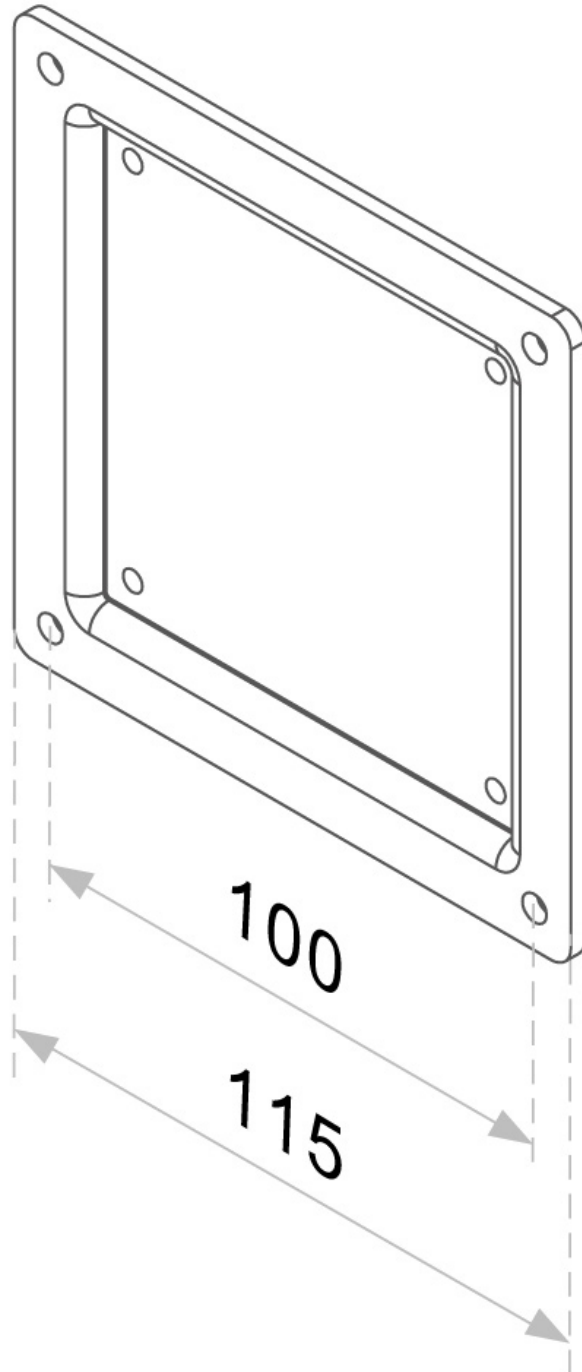
The Neomounts by Newstar VESA adapter, model FPMA-VESA100 allows a VESA mount with 75x75 mm interface to be used with displays with VESA hole patterns of 100x100. Ideal when flat screen needs different VESA pattern to select wall-, desk- or ceiling mount.

Neomounts by Newstar FPMA-VESA100 is suitable for screens up to 30" (75 cm). The weight capacity of this product is 25 kg each screen. Depth of this adapter is 3 millimetres only. The adapter is suitable for screens that meet VESA hole pattern 100x100 mm. Different hole patterns can be covered using Neomounts by Newstar VESA adapter plates.

All installation material is included with the product.

FPMA-VESA100

NEOMOUNTS BY NEWSTAR VESA ADAPTER



Neomounts