

## WL15-625BL1

## NEOMOUNTS BY NEWSTAR WALL MOUNT

### SPECIFICATIONS

#### GENERAL

|                   |                   |
|-------------------|-------------------|
| Min. screen size* | 7.9 inch          |
| Max. screen size* | 11 inch           |
| Max. weight       | 1 kg (per screen) |
| Screens           | 1                 |
| VESA minimum      | 100x100 mm        |
| VESA maximum      | 100x100 mm        |
| Distance to wall  | 2,5 cm            |

#### FUNCTIONALITY

|                  |                                    |
|------------------|------------------------------------|
| Type             | Rotate                             |
| Rotate (degrees) | 360°                               |
| Height           | 24,6 cm                            |
| Width            | 18,1 cm                            |
| Depth            | 3,7 cm                             |
| Adjustment type  | None                               |
| Lockable         | Lockable - Security screw included |

#### INFORMATION

|               |               |
|---------------|---------------|
| Color         | Black         |
| Main material | Steel         |
| Warranty      | 5 year        |
| EAN code      | 8717371449698 |

\*Please note: The inch sizes stated are just an indication, combined with the weight and VESA sizes. The maximum weight and VESA size are absolute restrictions for the products and should not be exceeded.



Neomounts



Neomounts

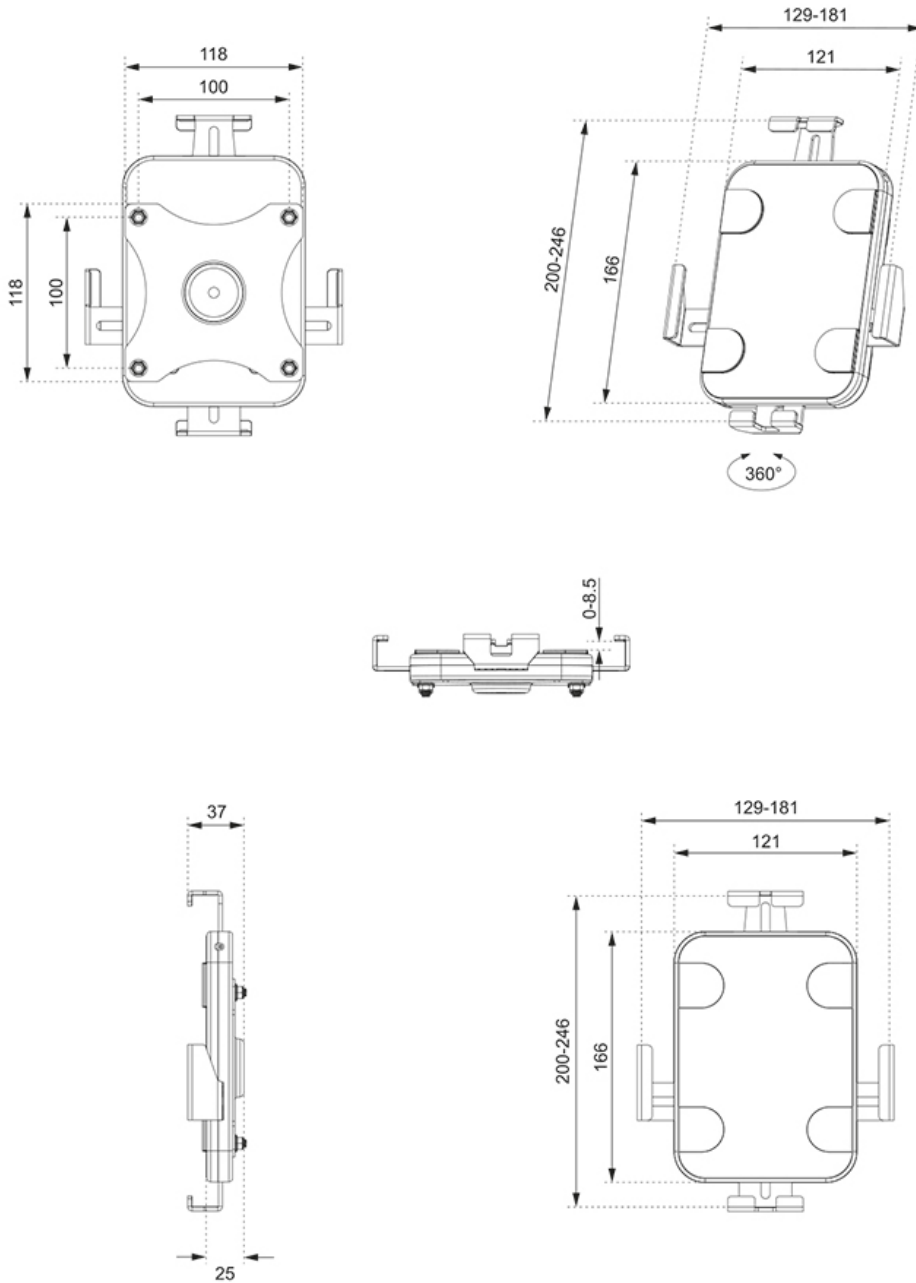
### Neomounts by Newstar WL15-625BL1 rotatable wall mount tablet holder for 7,9-11" tablets - Black

The Neomounts by Newstar WL15-625BL1 is a wall mount tablet holder that can rotate 360° to easily switch between portrait and landscape orientation.

The tablet holder features an anti-theft lock for extra security. Anti-skid pads protect the tablet from any scratches, while the height and width adjustable clamps ensure safe and solid placement of the device. The upper part has a cut-out for the tablet's camera. Installation is as easy as it can get, with only one screw needed. The WL15-625BL1 is suitable for tablets with a thickness of 0-8,5 mm.

WL15-625BL1

NEOMOUNTS BY NEWSTAR WALL MOUNT



Neomounts