

## FPMA-HAW200

## NEOMOUNTS BY NEWSTAR MEDICAL WALL

### SPECIFICATIONS

#### GENERAL

Min. screen size*	10 inch
Max. screen size*	27 inch
Min. weight	0 kg (per screen)
Max. weight	7 kg (per screen)
Screens	1
VESA minimum	75x75 mm
VESA maximum	100x100 mm

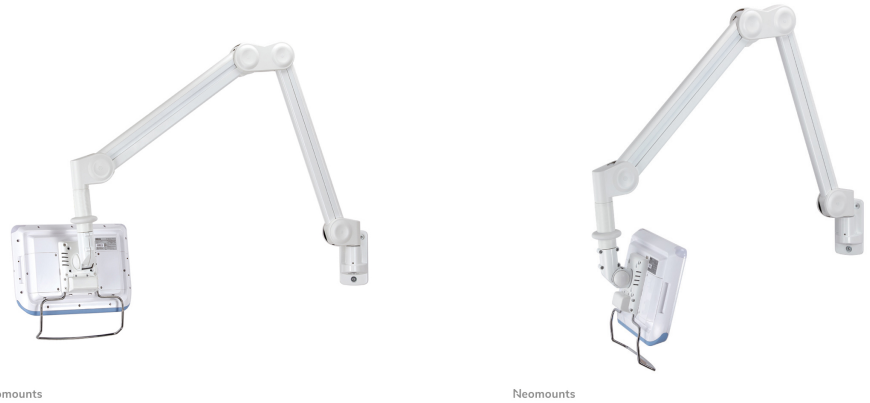
#### FUNCTIONALITY

Type	Full motion Tilt Swivel
Height adjustment	0-149 cm
Depth adjustment	0-149 cm
Tilt (degrees)	55°
Swivel (degrees)	370°
Adjustment type	Gas spring

#### INFORMATION

Color	White
Main material	Aluminium
Warranty	5 year
EAN code	8717371444310

\*Please note: The inch sizes stated are just an indication, combined with the weight and VESA sizes. The maximum weight and VESA size are absolute restrictions for the products and should not be exceeded.



### Neomounts by Newstar Medical Monitor Wall Mount (Full Motion gas spring) for 10"-27" Screen - White

The Neomounts by Newstar wall mount, model FPMA-HAW200 is a tilt- and swivel wall mount for medical flat screens up to 27". This mount is a great choice for space saving placement or when ceiling mounting and floor placement is not an option.

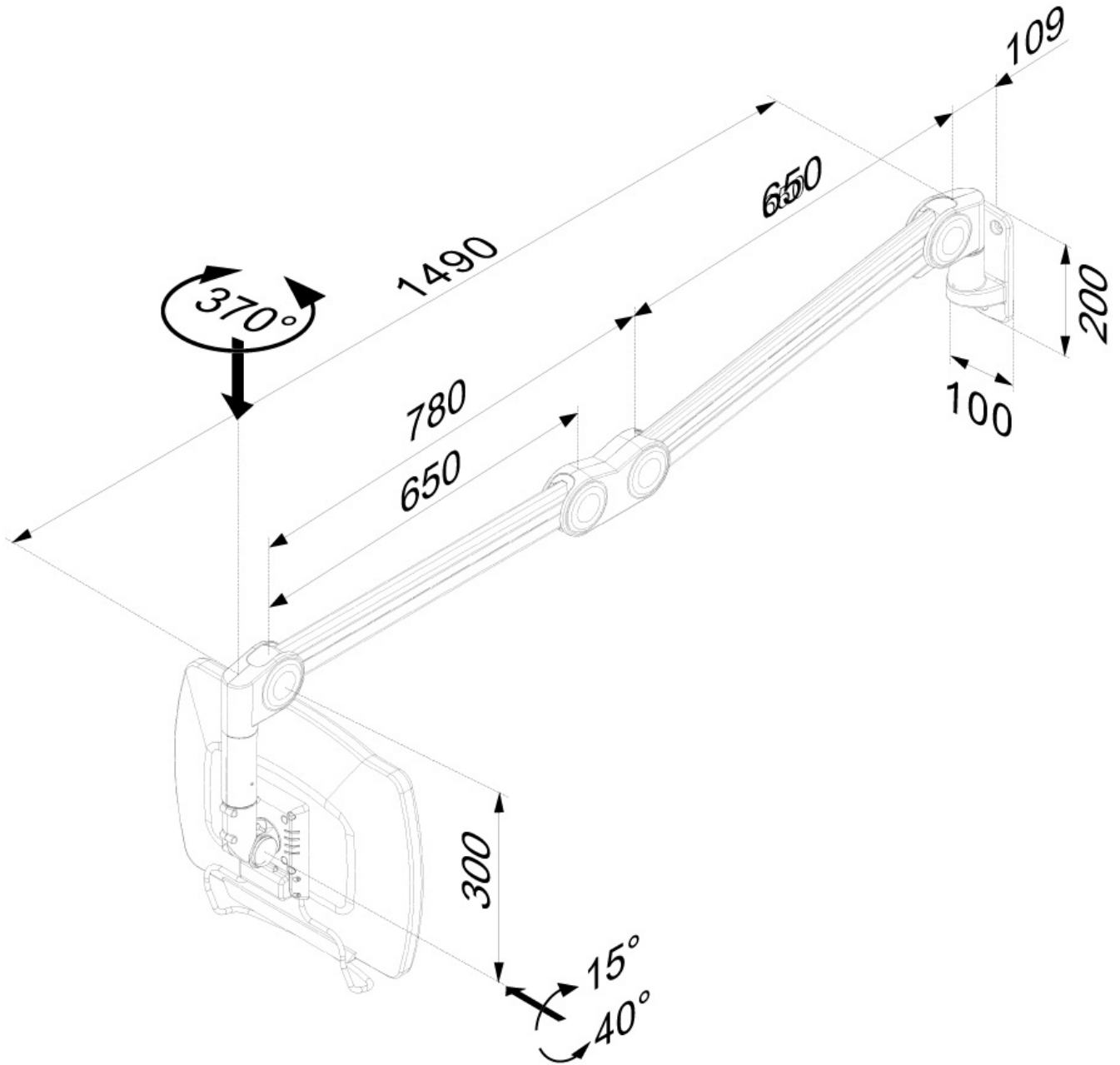
Neomounts by Newstar's versatile tilt (55°) and swivel (370°) technology allows the mount to change to any viewing angle to fully benefit from the capabilities of the flat screen. The support is easily height adjustable from 0 to 149 centimetres using a gas spring. Depth adjustable from 0 to 149 centimetres. An innovative cable management conceals and routes cables from mount to flat screen. Hide your cables to keep the workplace nice and tidy.

Neomounts by Newstar FPMA-HAW200 has two pivot points and is suitable for screens up to 27" (69 cm). The weight capacity of this product is 7 kg each screen. The ceiling mount is suitable for screens that meet VESA hole pattern 75x75 or 100x100mm. Different hole patterns can be covered using Neomounts by Newstar VESA adapter plates.

All installation material is included with the product.

FPMA-HAW200

NEOMOUNTS BY NEWSTAR MEDICAL WALL



Neomounts