

## BEAMER-C50

## NEOMOUNTS BY NEWSTAR PROJECTOR

### SPECIFICATIONS

#### GENERAL

Min. weight	0 kg (per screen)
Max. weight	10 kg (per screen)

#### FUNCTIONALITY

Type	Tilt Swivel Full motion
Height adjustment	18,5 cm
Tilt (degrees)	90°
Swivel (degrees)	360°
Adjustment type	Manual

#### INFORMATION

Color	Black
Main material	Steel
Warranty	5 year
EAN code	8717371443979

\*Please note: The inch sizes stated are just an indication, combined with the weight and VESA sizes. The maximum weight and VESA size are absolute restrictions for the products and should not be exceeded.



Neomounts



Neomounts

### Neomounts by Newstar Universal Projector Ceiling Mount, Height 18.5cm - Black

The Neomounts by Newstar projector ceiling mount, model BEAMER-C50 is a universal tilt-, swivel and/or rotatable ceiling mount for projectors up to 10 kilograms. This mount is a great choice for an optimal viewing experience. This versatile, ready to install mount, offers the convenience of installation to the ceiling without the need of additional accessories.

Neomounts by Newstar's versatile tilt (90°), rotate and/or swivel (360°) technology allows the mount to change to any viewing angle to fully benefit from the capabilities of the projector. The mount has a fixed height of 18,5 centimetres. An innovative cable management conceals and routes cables from ceiling to projector. Hide your cables to keep the installation nice and tidy.

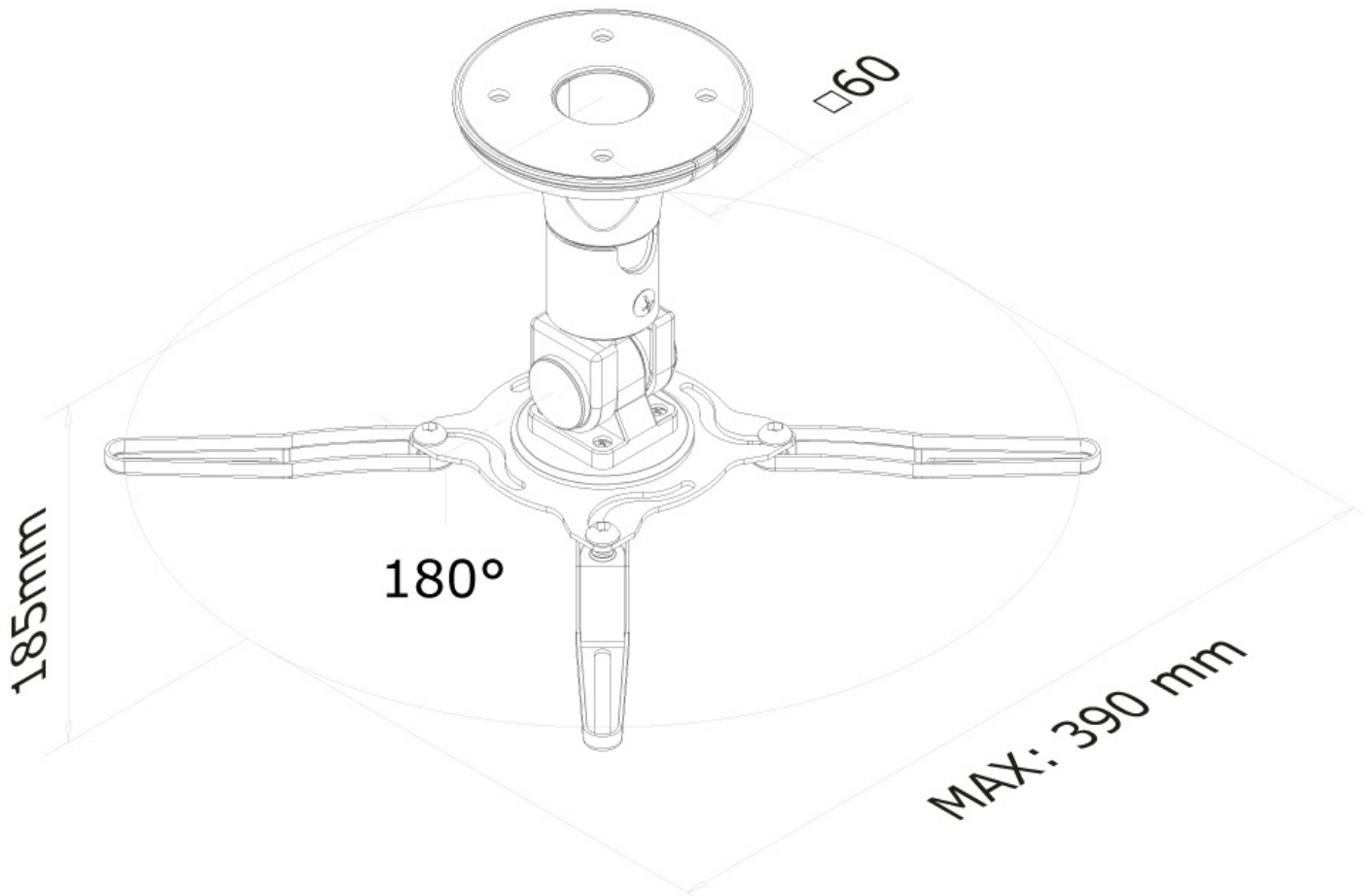
Neomounts by Newstar BEAMER-C50 has two pivot points and is suitable for most projectors. The weight capacity of this product is 10 kilograms. This universal ceiling mount is easy to install and suitable for projectors using the mounting holes on the bottom side of the projector. The legs included with this mount, cover most projector hole patterns.

Projector mounts are ideal for use in offices, schools, hospitals or at home.

All installation material is included with the product.

BEAMER-C50

NEOMOUNTS BY NEWSTAR PROJECTOR



Neomounts