

UTB Series

Universal TechBox™

the UTB Series Universal TechBox™ is a low-profile, unique solution for discreetly – and securely – mounting equipment underneath a table surface in meeting spaces

features:

- Expandable design is height-adjustable from 1 to 2 rackspaces and is field-configurable with all necessary hardware and accessories for both sizes
- Prevents users from tampering with equipment, securing their settings and cable connections
- Available in two widths – traditional 19" rackmount and Half Rack width
- 14" overall depth
- Includes pairs of rackrail and front and rear covers in both 1RU and 2RU sizes
- Designed for both rackmount and non-rackmount equipment
 - Patented pattern accommodates small device mounting, compact surge protection and cable tie down
- Vent pattern designed to optimize heat removal
- Forward compatible to accept Forward Small Device Mounting Clamps



specifications:

EIA/ITA compliant 19" UTB Series Universal TechBox™ shall be Middle Atlantic Products part # UTB-__-14 (A2 for 19" panel width, HR-A2 for 10.4" panel width) and shall be installer adjustable to have 1 or 2 rackspaces. UTB Series shall be 2.88", 4.63" adjustable height, 14" deep x __" (12.37", 20.97", refer to drawing) width. UTB Series shall include 1 pair each of 1 RU and 2 RU front Rackrail, user adjustable in .5" increments from a 1" to a 2.5" setback, providing a usable depth from 11.5" to 13". UTB Series shall include front and rear covers that accept included keylocks (2qty). UTB Series shall have a universal mounting pattern on bottom for small device mounting. UTB Series shall have a 35 lb. weight capacity. UTB Series shall be constructed of steel finished in a durable black powder coat. Rack shall be GREENGUARD Gold Certified. UTB Series shall be manufactured by an ISO 9001 and ISO 14001 registered company. UTB Series shall be warranted to be free from defects in material or workmanship under normal use and conditions for the lifetime of the rack.

Customizable specification clips available at middleatlantic.com

EIA/TIA COMPLIANT



PRODUCT CERTIFIED FOR
LOW CHEMICAL EMISSIONS
UL.COM/GG
UL 2818



options:

- Optional Forward Accessories
 - FWD-SIDECLMP-4 - Forward Small Device Mounting Clamp

what **great systems** are built on.™

A Group brand |  **legrand**


Middle Atlantic Products

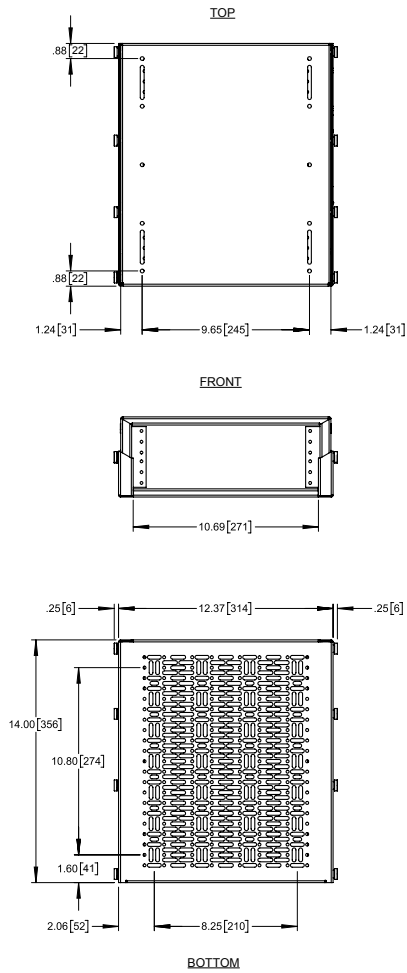
middleatlantic.com | middleatlantic.ca

96-01233 / rev d / 7-20-20

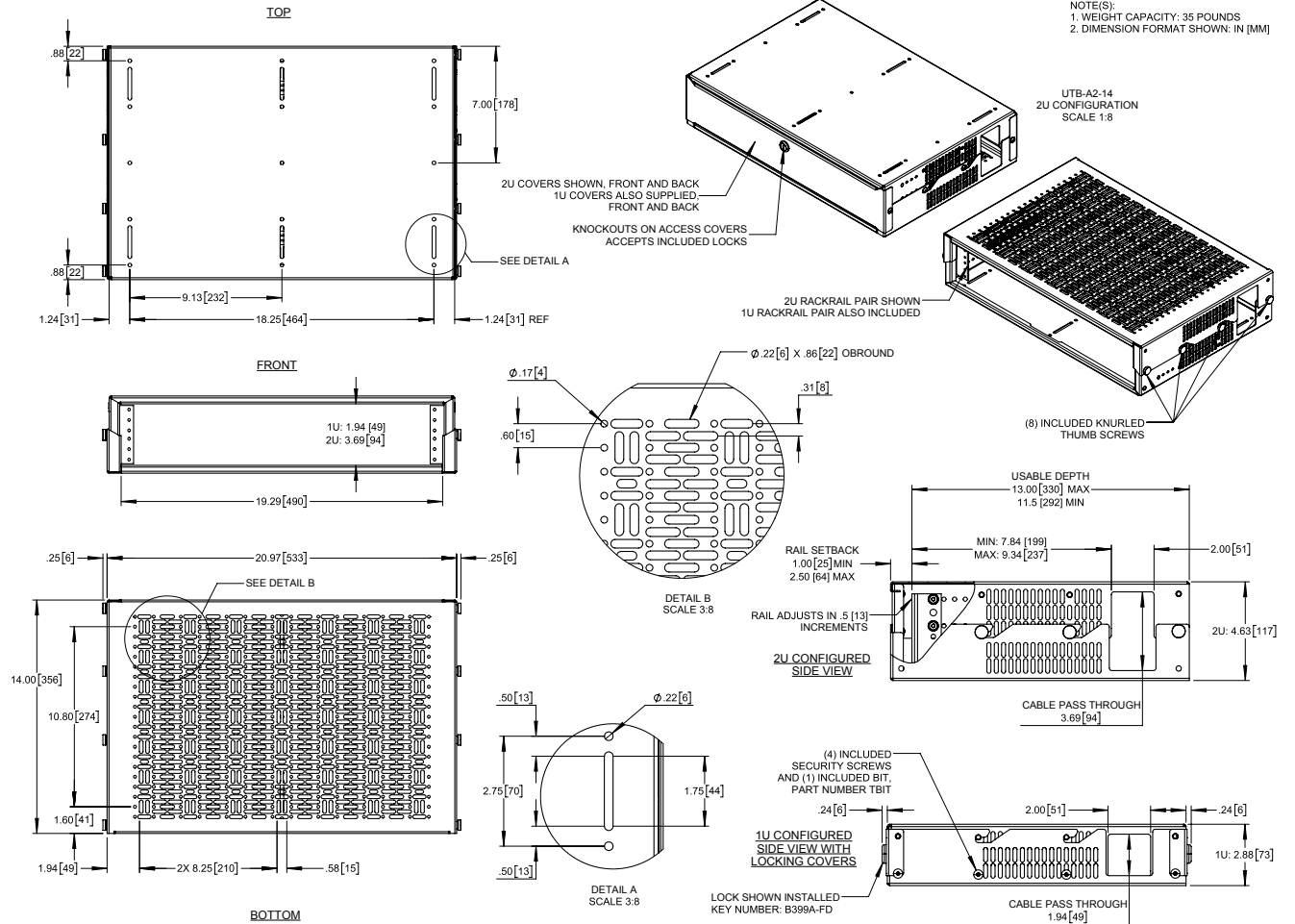
UTB Series

basic dimensions

UTB-HR-A2-14



UTB-A2-14



what great systems are built on.™

A brand of **legrand**

MA
Middle Atlantic Products

middleatlantic.com | middleatlantic.ca