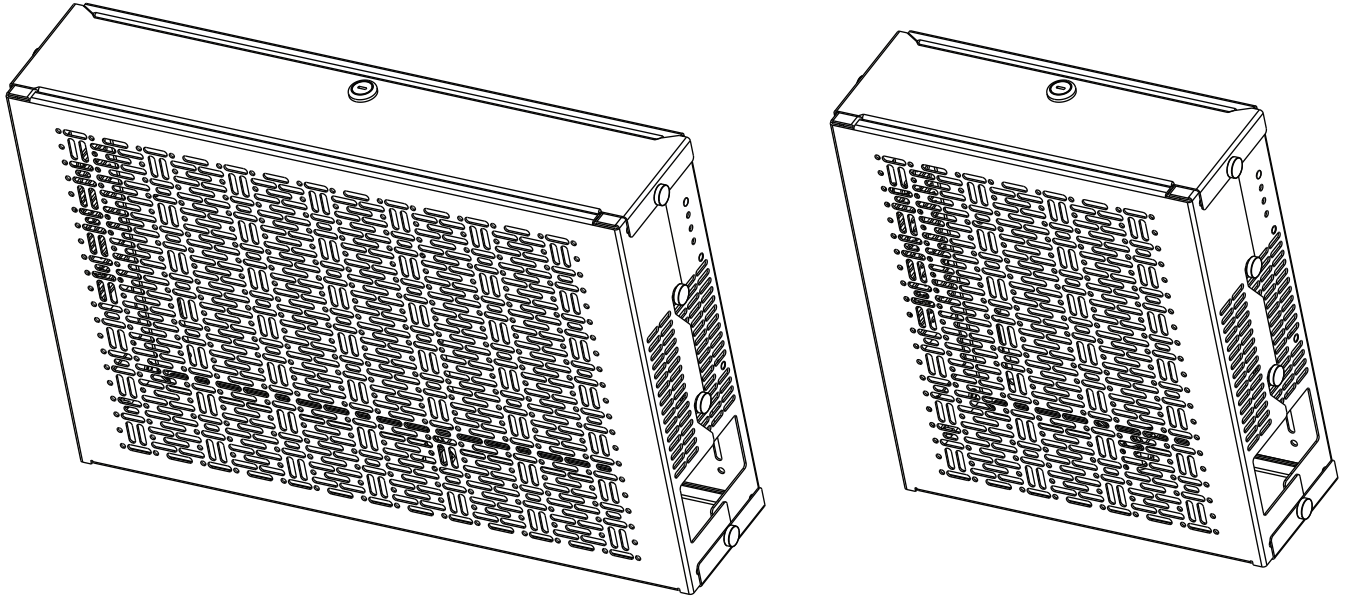


INSTRUCTION SHEET UNIVERSAL TECHBOX™ SERIES

UTB-A2-14 AND UTB-HR-A2-14



THANK YOU

Thank you for purchasing a Universal TechBox™ UTB-A2-14 or UTB-HR-A2-14. Please read these instructions thoroughly before installing or assembling this product.

PRODUCT FEATURES

- Convenient system protects equipment and may be mounted underneath furniture.
- Accommodates both 1 and 2 RU configurations.
- Available in full- and half-rack models.
- Lock mechanism for added security.
- Universal mounting system cutout on the bottom designed to accommodate small devices.

NOTE:

- This product is compatible with select Forward accessories.
- These instructions apply to both UTB-A2-14 (full-rack) and UTB-HR-A2-14 (half-rack models).

IMPORTANT SAFETY INSTRUCTIONS

- Read these instructions.
- Heed all warnings.
- Clean only with dry cloth.
- Keep these instructions.
- Follow all instructions.
- Only use attachments/accessories specified by the manufacturer.



DANGER HAZARDOUS VOLTAGE: The lightning flash with the arrowhead symbol, within an equilateral triangle is intended to alert the user to the presence of uninsulated dangerous voltage within the product's enclosure that may be of sufficient magnitude to constitute a risk of electric shock to persons.



WARNING: A warning alerts you to a situation that could result in serious personal injury or death.



WARNING: Middle Atlantic Products, Inc. electrical systems conform to and should be properly grounded in compliance with requirements of the current National Electrical Code or codes administered by local authorities. All electrical products may present a possible shock or fire hazard if improperly installed or used. Middle Atlantic Products, Inc. electrical products may bear the mark of a Nationally Recognized Testing Laboratory (NRTL) and should be installed in conformance with current local and/or the National Electrical Code.



WARNING: Failure to read, understand and follow the following information can result in serious personal injury, damage to the equipment or voiding of the warranty. It is the responsibility of the Installer/User to ensure that this product is loaded according to specifications.

INSTRUCTIONS IMPORTANTES SUR LA SÉCURITÉ

- Lire ces instructions.
- Respectez tous les avertissements.
- Nettoyer uniquement avec un chiffon sec.
- Conservez ces instructions.
- Suivez toutes les instructions.
- N'utilisez que des accessoires spécifiés par le fabricant.



DANGER TENSION DANGEREUSE: Le symbole de la pointe de flèche, dans un triangle équilatéral, est destiné à alerter l'utilisateur sur la présence de tension dangereuse non isolée dans l'enceinte du produit qui peut être d'une ampleur suffisante pour constituer un risque d'électrocution.



AVERTISSEMENT: Un avertissement vous avertit d'une situation pouvant entraîner des blessures graves ou la mort.



AVERTISSEMENT: Middle Atlantic Products, Inc. électrique systèmes conformes à devraient être mis à la terre dans conformité avec les exigences de la National actuelle ou comme les codes électrique administré par les autorités locales autorités. Tous les produits électriques peuvent présenter un choc ou un incendie danger si elle est mal installé ou utilisé. Middle Atlantic Products, Inc. produits électriques peuvent porter la marque d'un Nationally Recognized Testing Laboratory (NRTL) et doit être installé en conformité avec courant local et/ou le National Electrical Code.



AVERTISSEMENT: Refus de lire, comprendre et suivre la renseignements suivants peut traduire par de graves blessures, des dommages à l'équipement ou invalider la garantie. Il est la responsabilité de l'installateur / utilisateur de s'assurer que ce produit est chargé conformément aux spécifications.

WEIGHT RATING

Model Numbers	Weight Rating
UTB-A2-14 and UTB-HR-A2-14	35 lbs. (15.9 kg) Maximum Total Rated Load



WARNING: This product is intended for use only with the products and maximum weights indicated. Use with other products or products heavier than the maximum weights indicated may result in instability causing possible injury. Total equipment weight must not exceed 35 lbs. (15.9 kg).

AVERTISSEMENT: Cette produit est conçu pour être utilisé uniquement avec les produits et les poids maximum indiqué. uniquement avec les produits et les poids maximaux indiqués. En cas d'utilisation avec d'autres produits ou des produits plus lourds que le poids maximal indiqué, le chariot peut devenir instable et causer des blessures. Le poids total de l'équipement ne doit pas dépasser 15.9 kg (35 lbs).

SUPPLIED COMPONENTS AND HARDWARE

FOR RACKRAIL PAIR, BOX TOP, AND BOX BOTTOM



(5x) 10-32 x 5
Studs

A

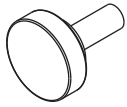


(5x)
10-32 Flange Nut

B

SUPPLIED COMPONENTS AND HARDWARE (CONTINUED)

FOR RACKRAIL PAIR, BOX TOP, AND BOX BOTTOM



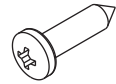
(8x) 10-32 x 3/4"
Thumb Screw

C



(4x) 10-32 x 3/4" HTX
Security Screw

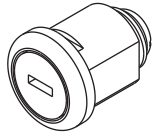
D



(10x) 10 x 3/4"
Phil. Pan Head
Wood Screw

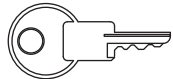
E

FACEPLATE LOCK



(2x)
Cylinder

F



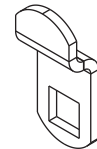
(4x) Key
(Model No. B399A-FD)

G



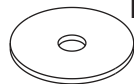
(2x) 3/4-24
Lock Nut

H



(2x) Cam

J



(20x) Washer
NOTE: Washers included
for equipment mounting
convenience.

K

REQUIRED TOOLS

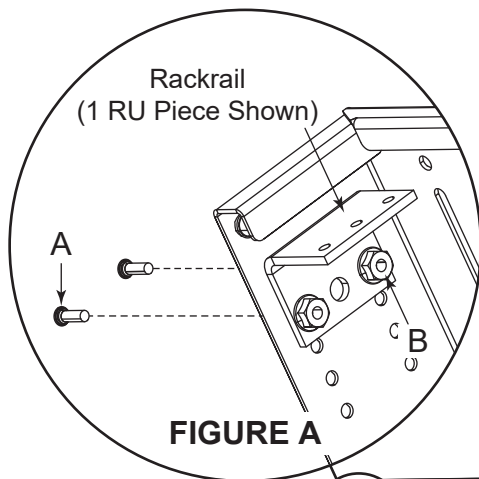
- #2 Phillips Screwdriver
- Hammer
- 7/8" Socket
- HTX Security Screw Bit
(Model No. TBIT, Provided)



WARNING: Use tools with caution and follow all necessary safety protocols.

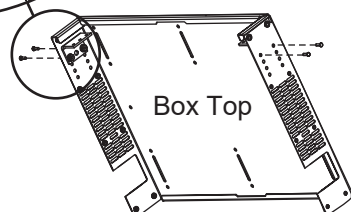
AVERTISSEMENT: Utiliser des outils avec prudence et suivre tous les protocoles de sécurité nécessaires.

INSTALLING RACKRAIL AND THUMBSCREWS TO THE BOX TOP



NOTE: Decide if you're going to configure your Universal TechBox for a 1 RU or 2 RU assembly before proceeding.

1. Based on 1 RU or 2 RU assembly, mount the corresponding sized rackrail pair using (4x) studs (A) from the outside of the box top through the smaller holes of the rackrail into (4x) flange nuts (B) as shown. **(FIGURE A)**



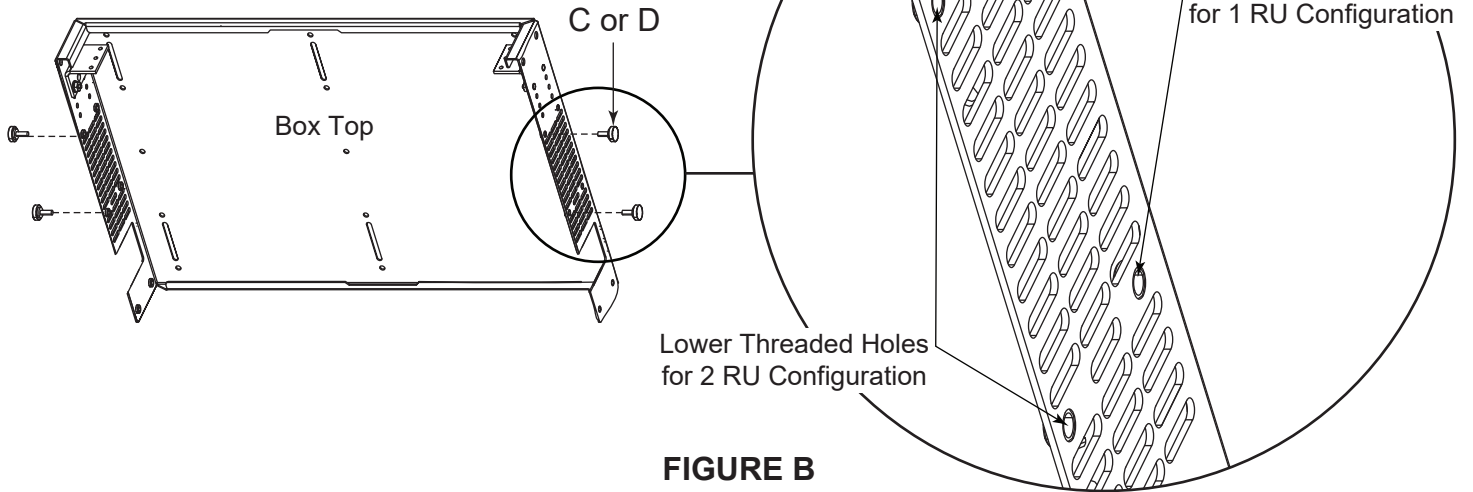
INSTALLING RACKRAIL AND THUMBSCREWS TO THE BOX TOP (CONTINUED)

- Use (2x per side) thumb screws (C, pictured) or security screws (D) and partially attach them (approximately 3 full turns) on each side of the box top as shown. **(FIGURE B)**

NOTE: Attach thumb screws or security screws to the box top based on your chosen 1 RU or 1 RU configuration as follows.

1 RU: Use the upper threaded holes.

2 RU: Use the lower threaded holes.



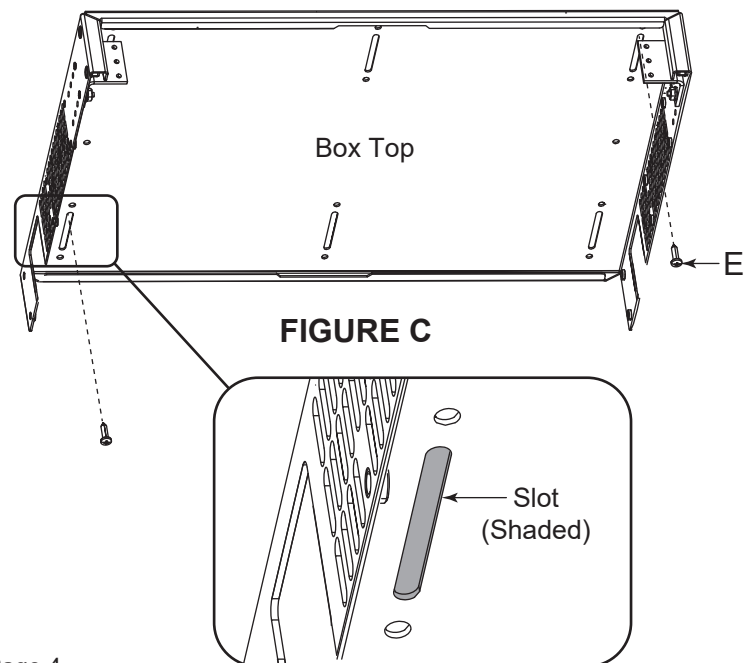
ATTACHING THE BOX TOP TO THE UNDERSIDE OF YOUR FURNITURE

NOTE:

- Verify the thickness of your furniture can accommodate the 10 x 3/4" wood screws (E) used in this topic before proceeding.
- Consider any seating accommodations when positioning the box top to the underside of your furniture.

TIP: You may want to provide a 19" (482.6 mm) inward depth from the edge of your furniture in order to provide adequate leg clearance.

- Use a #2 Phillips screwdriver and (2x) wood screws (E) through slots in diagonally opposite corners of your box top to attach the top into the underside of your furniture as shown. **(FIGURE C)**
- Make final positioning adjustments to your box top while tightening the two wood screws.



ATTACHING THE BOX TOP TO THE UNDERSIDE OF YOUR FURNITURE (CONTINUED)

FOR FULL-RACK MODELS ONLY: Use (4x) additional wood screws (E) through fixed holes and slots on the box top and into the underside of your furniture as shown. (FIGURE D)

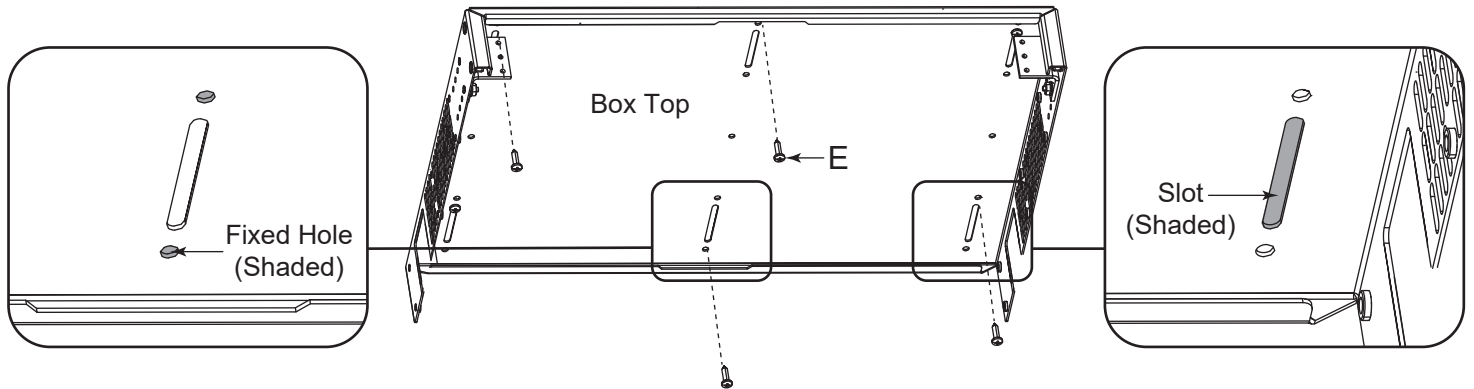


FIGURE D

FOR HALF-RACK MODELS ONLY: Use (2x) additional wood screws (E) through fixed holes and slots on the box top and into the underside of your furniture.

4. Use rackscrews (not provided) to install your equipment on to the rackrails.

ATTACHING THE BOX BOTTOM TO THE BOX TOP

1. Move the box bottom up and backward to hook the slots on to the thumb screws (C, pictured) or security screws (D) on each side of the box top as shown. (FIGURE E)

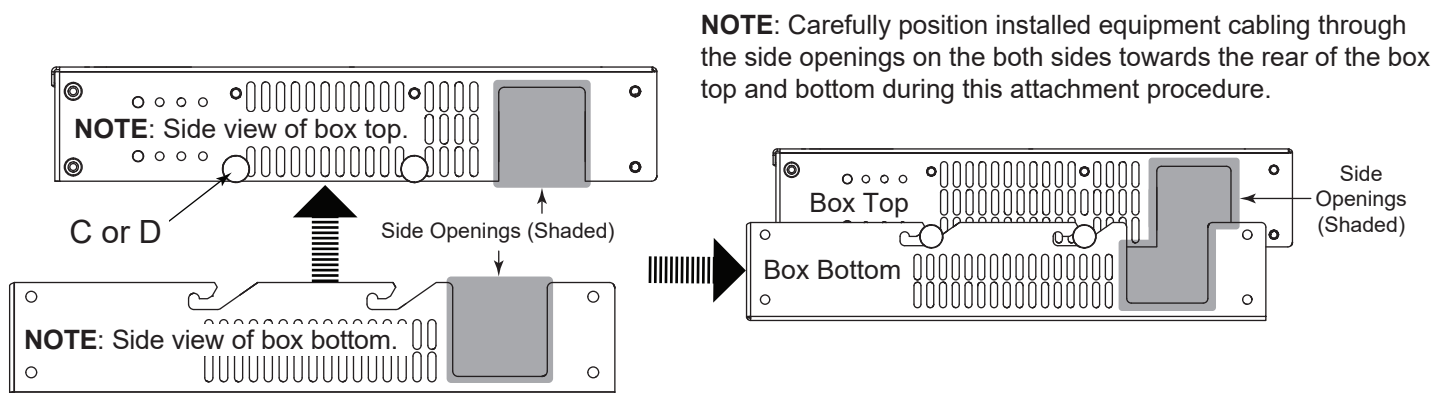


FIGURE E

2. Tighten all thumb screws (by hand) or security screws (using the security bit provided).

INSTALLING THE LOCK ON THE FACEPLATE (OPTIONAL)

1. If you are using the lock, use a hammer to carefully tap out the perforated hole on the faceplate as shown. (FIGURE F)

NOTE: The 1 RU faceplate is shown.

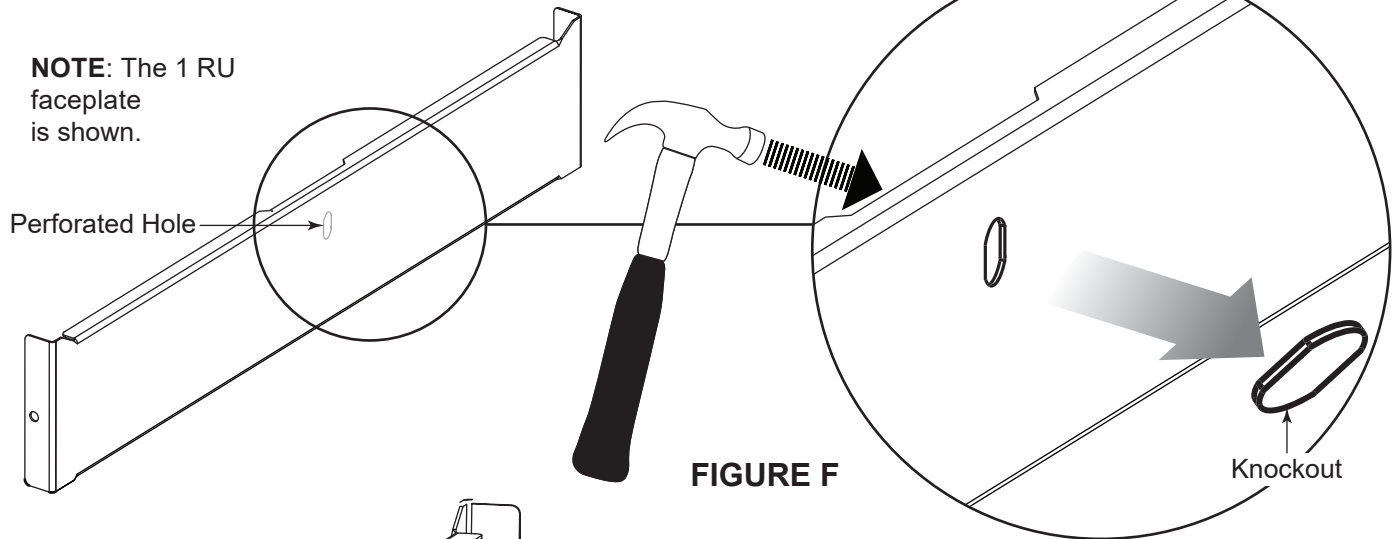


FIGURE F

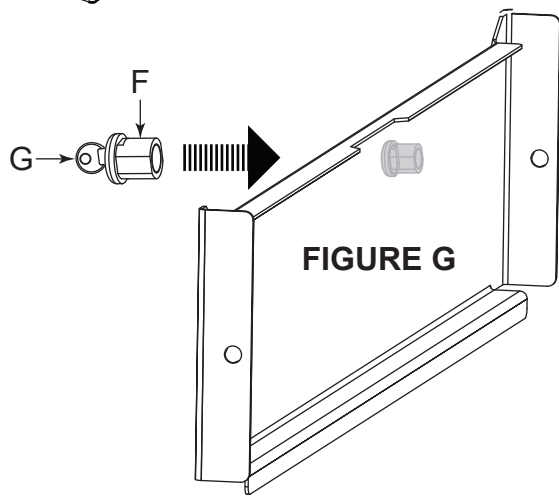


FIGURE G

2. Insert a lock cylinder (F) with pre-installed key (G) through the hole in the faceplate. (FIGURE G)

3. Use the key (G) to twist the lock cylinder (F) in to the vertical position and then remove the key. (FIGURE H)

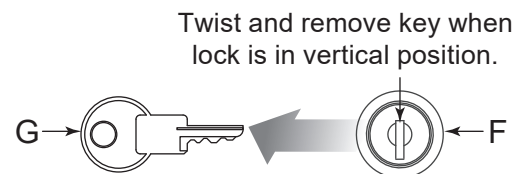


FIGURE H

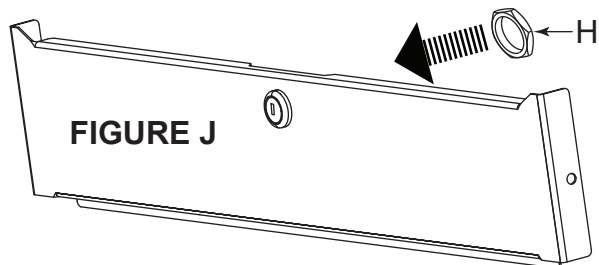


FIGURE J

4. Use a 7/8" socket and a lock nut (H) to attach the cylinder to the faceplate. (FIGURE J)

5. Use a key to twist the lock cylinder in to the horizontal (open) position and then attach the cam (J) to the cylinder using the lock washer and screw as shown. (FIGURE H)

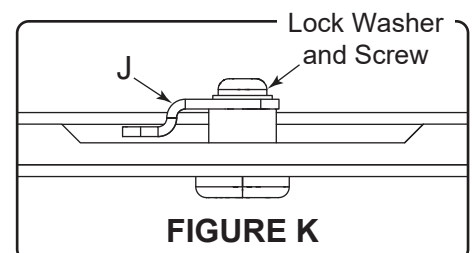


FIGURE K

ATTACHING THE FACEPLATE TO THE BOX

1. Attach the flange on the lower side of the faceplate inside the lip of the box bottom front, and then push the faceplate into place. (**FIGURE L**)

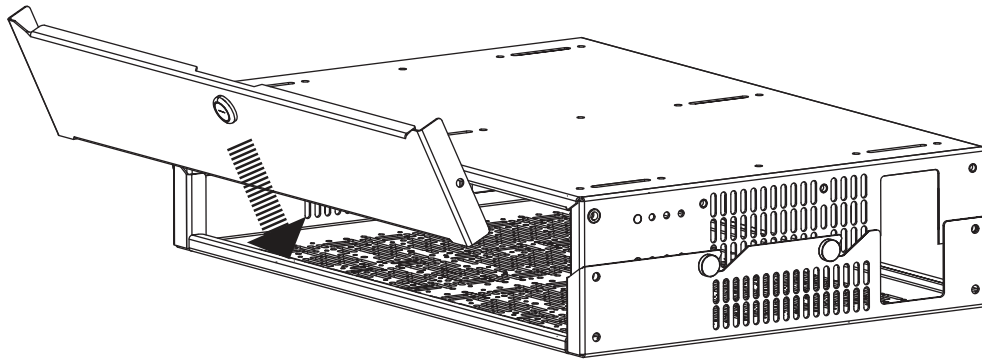


FIGURE L

FACEPLATE ATTACHMENT WITHOUT THE LOCK: Use (2x) thumb screws (C) through the faceplate and into the overlapping threads on the box bottom and top on each side of the front as shown. (**FIGURE M**)

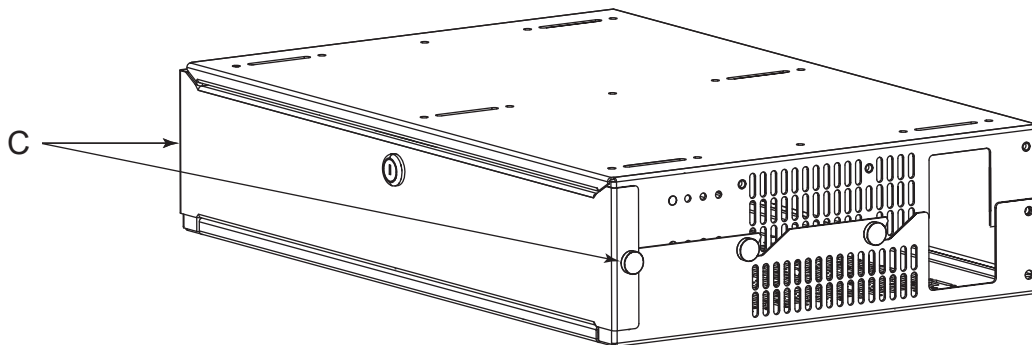


FIGURE M

FACEPLATE ATTACHMENT WITH THE LOCK: Use a key (G) to twist the lock cylinder (F) in to the horizontal (open) position, push the top of the faceplate into the top of the box, and then twist the key in the lock cylinder in to the vertical (locked) position.

NOTE: When the lock is used, the (2x) thumb screws (C) may be installed, but are not necessary.

7. Install the other faceplate to the back of the box by repeating "Installing the Lock on the Faceplate (Optional)" on page 6 and "Attaching the Faceplate to the Box" on page 7.

WARRANTY

For warranty information, refer to <http://www.middleatlantic.com/company/about-us.aspx#warranty>

Corporate Headquarters

Voice: 973-839-1011 - Fax: 973-839-1976 - International Voice: +1 973-839-8821 -
Fax: +1 973-839-4982 - www.middleatlantic.com - info@middleatlantic.com

Middle Atlantic Canada

Voice: 613-836-2501 - Fax: 613-836-2690 - ca.middleatlantic.com -
customerservicecanada@middleatlantic.ca

Middle Atlantic EMEA Technical Support

Voice: +31 (0) 495 726002 - av.emea.middleatlantic.support@legrand.com

Factory Distribution

United States: New Jersey, California, Illinois - Canada: Ontario - The Netherlands: Weert

At Middle Atlantic Products we are always listening. Your comments are welcome.

Middle Atlantic Products is an ISO 9001 and ISO 14001 Registered Company.