

IL5 Series

lecterns

integration friendly lecterns simplify design and minimize delays

features:

- Frame to Furniture™ design complements an integrator's installation workflow
- Steel frame ships assembled and ready to integrate in the shop or on-site
- Open frame design includes built-in power and provisions for cable and thermal management
- Available in 3 widths
- Unique design allows panels to be replaced quickly and easily
- Panels available in Sota and Klasik styles
- Standard finishes available in Veneer, High Pressure Laminate and Thermolaminate materials



IL5-SFK-43T with
FIN-MP (Maple)

specifications:

EIA Compliant 19" A/V Lectern shall be Middle Atlantic Products model # IL5-___-__ (refer to chart). A/V Lectern shall be available in 23", 33", or 43" widths, with 1 or 2 rack bays and a storage area, depending on model (refer to chart). Overall dimensions shall be ___" H x ___" W" x 28-3/8" D (refer to chart). Usable height shall be 12 rackspaces per bay. A/V Lectern frames shall ship fully assembled and be constructed of steel. Total weight capacity with Middle Atlantic finishing kit shall be ___ lbs. (refer to chart) Each rack bay shall come equipped with 1 pair of 11-gauge steel rackrail tapped with 10-32 mounting holes in universal EIA spacing, black e-coat finish and numbered rackspaces. A/V Lectern shall have a slide-out keyboard shelf, ___" W x 2.25" H x 12.06" D. A/V Lectern shall have a side with a useable area of 20.93" W x 7.49" H x 7.56" D. Models with turret shall have customizable Presenter's Panel, which can accept touchscreens and other panel mounted devices with an overall size of ___" H x ___" W x ___8.31" D (refer to chart). A/V Lectern shall have venting on the top. A/V Lectern shall be finished in a durable black powder coat. Finishing kit shall ship separately from rack, be available in a Sota or Klasik style and be model # L5-__K-__ (refer to chart), and secured to the Lectern. Top, sides and front doors shall be available in Veneer, High Pressure Laminate and Thermolaminate materials, visit middleatlantic.com for list of available finishes. A/V Lectern rack shall include 4 fine floor casters. A/V Lectern rack shall be GREENGUARD Gold Certified with the exception of Veneer finishes, which shall be GREENGUARD Certified. A/V Lectern rack shall comply with the requirements of RoHS EU Directive 2002/95/EC. A/V Lectern rack shall be manufactured by an ISO 9001 and ISO 14001 registered company. A/V Lectern frame shall be warranted to be free from defects in material or workmanship under normal use and conditions for the lifetime of the rack.

Customizable specification clips available at middleatlantic.com

EIA/TIA COMPLIANT



PRODUCT CERTIFIED FOR
LOW CHEMICAL EMISSIONS
UL.COM/GG
UL 2818

options:

- Monitor mount shall be model # MMB-1X1-12C, shall have a VESA 75 and 100 pattern, and have a 17.6 lb. weight capacity
- Custom 12" x 14" logo, Aluminum shall be model #L5-LOGO14A-XXXXX, Bronze shall be model #L5-LOGO14B-XXXXX, Color shall be L5-LOGO14CXXXXX, Laser shall be L5-LOGO14L-XXXXX
- Single LCD monitor mount accommodates VESA 75 and VESA 100 monitor shall be Middle Atlantic Products part # MMB-1X1-12C

what **great systems** are built on.™

A Group brand | **legrand**



Middle Atlantic Products

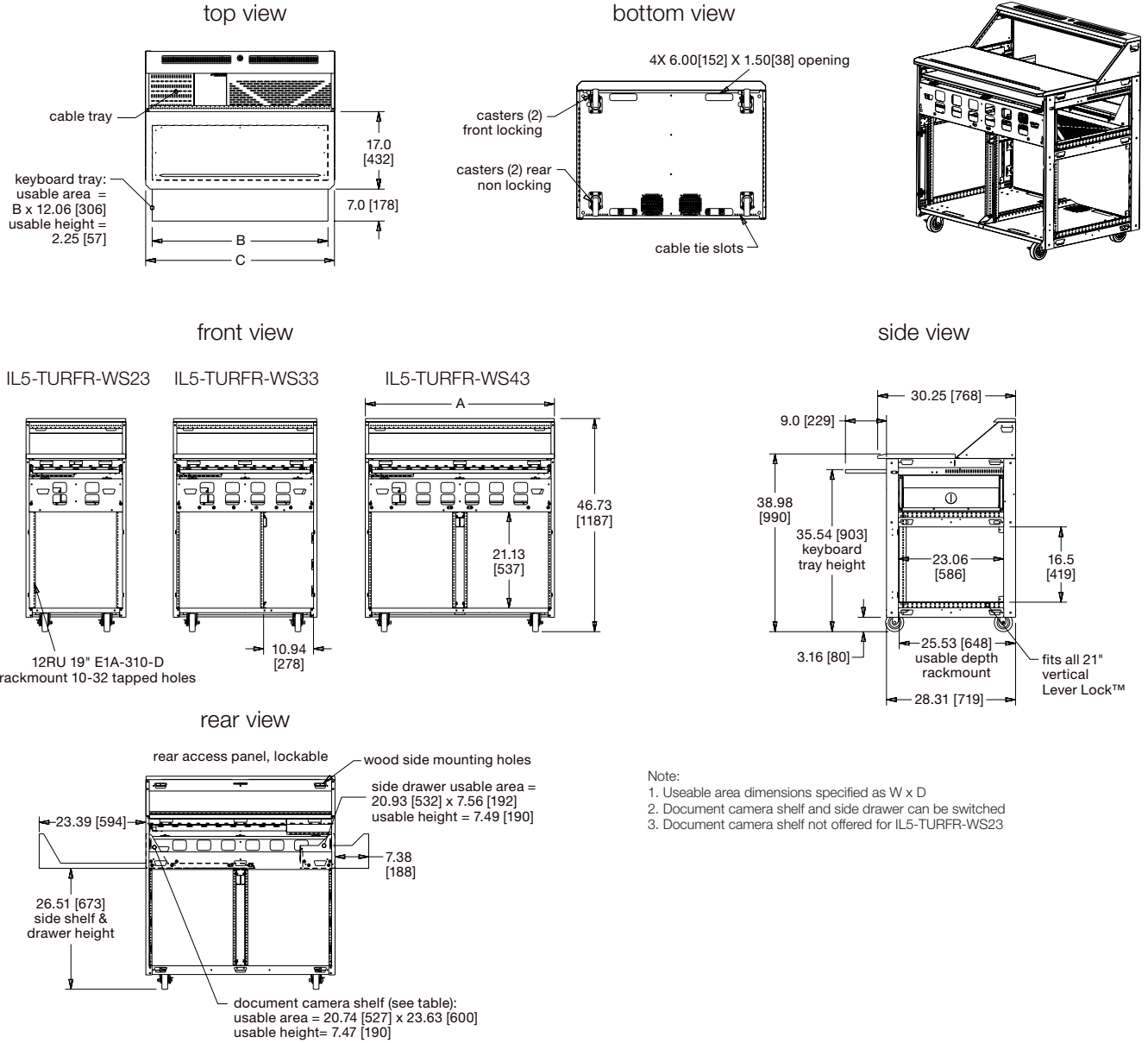
middleatlantic.com | middleatlantic.com

96-01222 / rev c / 7-17-17

IL5 Series

basic dimensions

all dimensions in inches unless otherwise noted [all dimensions in brackets are in millimeters]



Product #	"A" Frame Width	"B" Usable Keyboard Width	"C" Worksurface Width	19" Rackmount Bays	Weight Capacity [Lbs/Kg]	Document Camera Shelf
IL5-TURFR-WS23	21.93 [557]	18.99 [482]	21.84 [555]	1	200 / 91	no
IL5-TURFR-WS33	31.50 [800]	28.56 [726]	31.41 [798]	1	300 / 136	yes
IL5-TURFR-WS43	41.50 [1054]	38.56 [980]	41.41 [1052]	2	400 / 181	yes

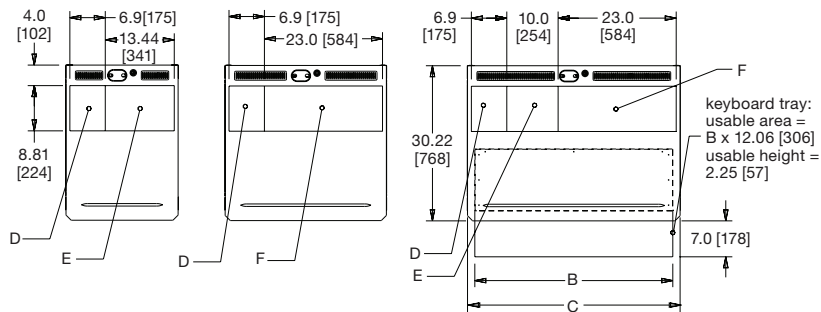
what great systems are built on.™

IL5 Series

basic dimensions

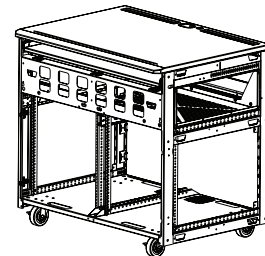
all dimensions in inches unless otherwise noted [all dimensions in brackets are in millimeters]

top view



Max Cutout Depth	Dim
D	4.69 [119]
E	11.31 [287]
F	*4.69 [119]

*depth of 11.31 [278] without utilizing doc/camera shelf

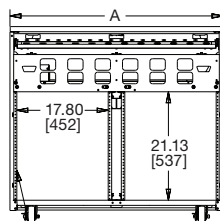
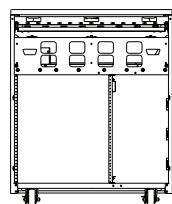
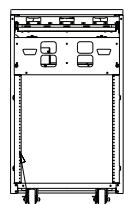


front view

IL5-FLATFR-WS23

IL5-FLATFR-WS33

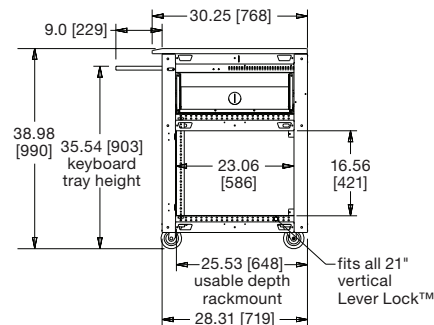
IL5-FLATFR-WS43



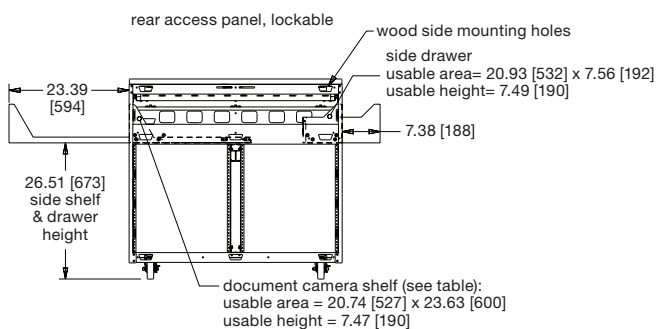
12 RU 19" E1A-310-D rackmount 10-32 tapped holes

front rail w/12 numbered spaces

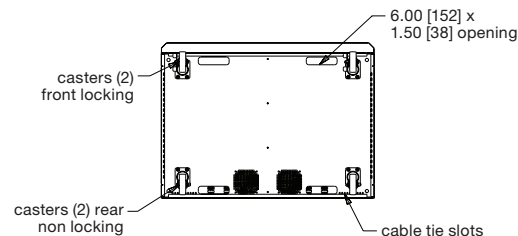
side view



rear view



bottom view



Product #	"A" Frame Width	"B" Usable Keyboard Width	"C" Worksurface Width	19" Rackmount Bays	Weight Capacity [Lbs/Kg]	Document Camera Shelf
IL5-FLATFR-WS23	21.93 [557]	18.99 [482]	21.84 [555]	1	200 / 91	no
IL5-FLATFR-WS33	31.50 [800]	28.56 [726]	31.41 [798]	1	300 / 136	yes
IL5-FLATFR-WS43	41.50 [1054]	38.56 [980]	41.41 [1052]	2	400 / 181	yes

Note:

1. Usable area dimensions specified as W x D
2. Document camera shelf and side drawer can be switched
3. Document camera shelf not offered for IL5-TURFR-WS23

what great systems are built on.™

A Group brand | Legrand

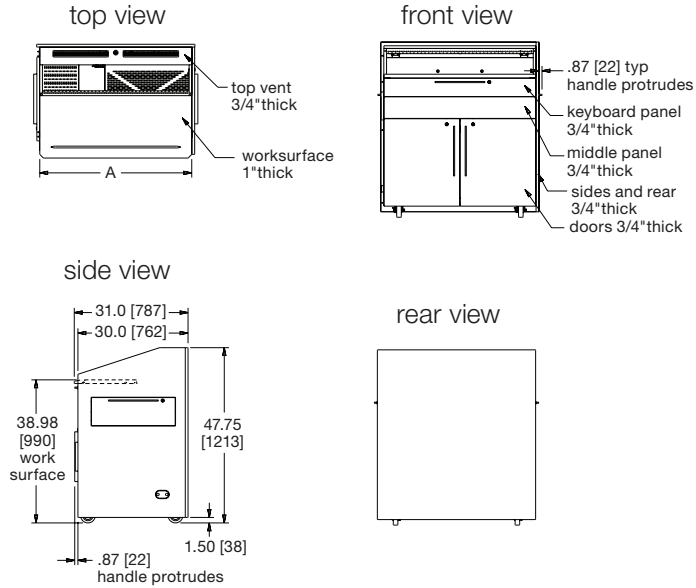
Middle Atlantic Products

middleatlantic.com | middleatlantic.ca

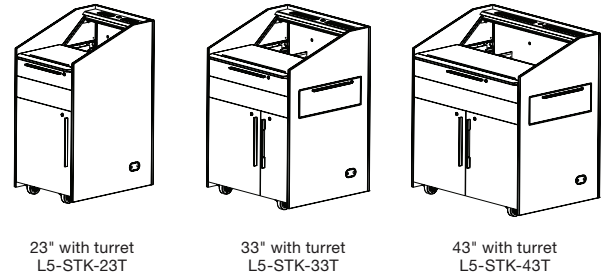
IL5 Series

basic dimensions

all dimensions in inches unless otherwise noted [all dimensions in brackets are in millimeters]

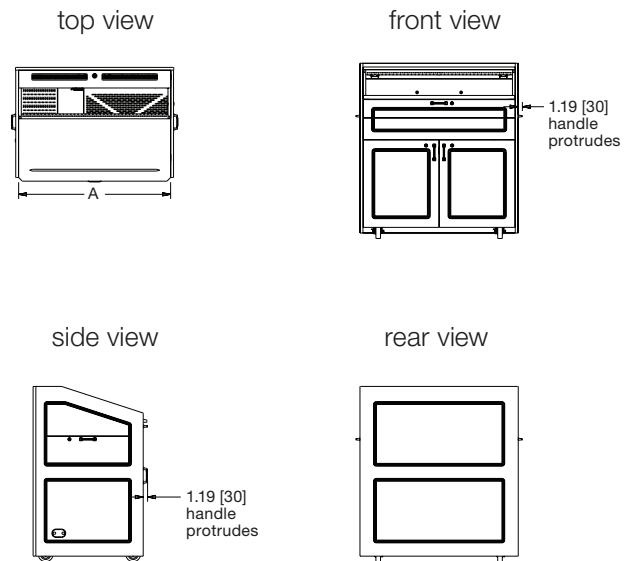


15 lectrans finishing kits (sota style)

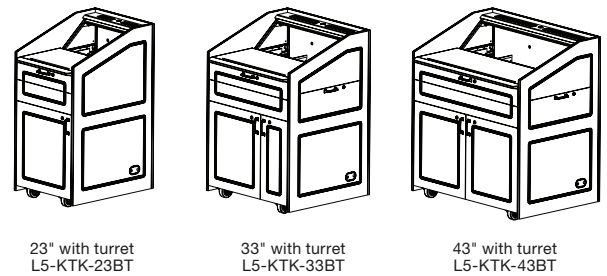


Finishing Kit (Turret)	"A" Worksurface Width	Style	Use with Frame
L5-STK-23Y	21.84 [555]	sota	IL5-TURFR-WS23
L5-STK-33Y	31.41 [798]	sota	IL5-TURFR-WS33
L5-STK-43Y	41.41 [1052]	sota	IL5-TURFR-WS43

*Y = T For T-Lam Finishes
 *Y = H For HPL Finishes
 *Y = V For Veneer Finishes



L5 lectrans finishing kits (klasik style)



Finishing Kit (Turret)	"A" Worksurface Width	Style	Use with Frame
L5-KTK-23XY	21.84 [555]	klasik	IL5-TURFR-WS23
L5-KTK-33XY	31.41 [798]	klasik	IL5-TURFR-WS33
L5-KTK-43XY	41.41 [1052]	klasik	IL5-TURFR-WS43

*X = B For Classic Bronze
 *X = N For Satin Nickel
 *Y = T For T-Lam Finishes
 *Y = V For Veneer Finishes

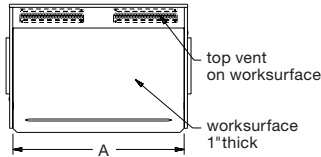
what **great systems** are built on.™

IL5 Series

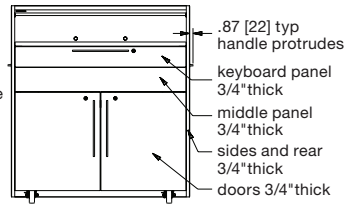
basic dimensions

all dimensions in inches unless otherwise noted [all dimensions in brackets are in millimeters]

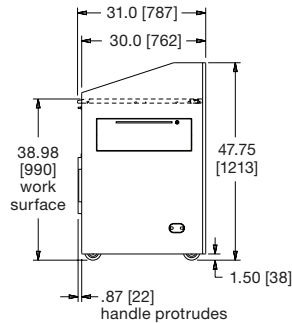
top view



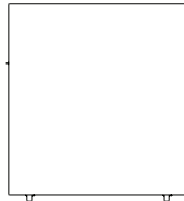
front view



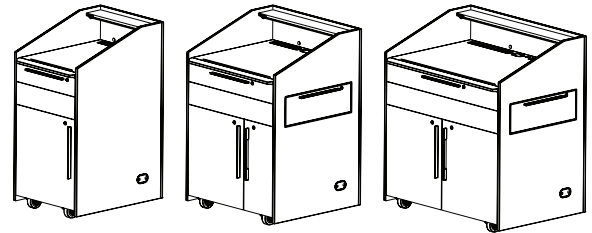
side view



rear view



L5 lecterns finishing kits
(sota style)



23" flat
L5-SFK-23T

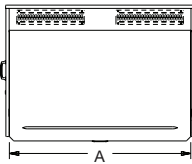
33" flat
L5-SFK-33T

43" flat
L5-SFK-43T

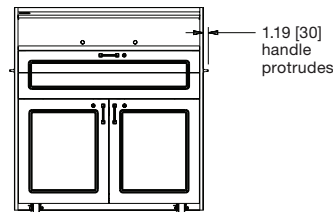
Finishing Kit (Flat)	"A" Worksurface Width	Style	Use with Frame
L5-SFK-23Y	21.84 [555]	sota	IL5-FLATFR-WS23
L5-SFK-33Y	31.41 [798]	sota	IL5-FLATFR-WS33
L5-SFK-43Y	41.41 [1052]	sota	IL5-FLATFR-WS43

*Y' = T For T-Lam Finishes
*Y' = H For HPL Finishes
*Y' = V For Veneer Finishes

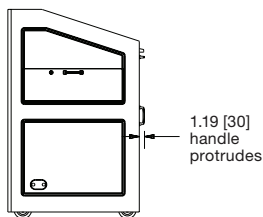
top view



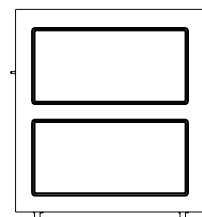
front view



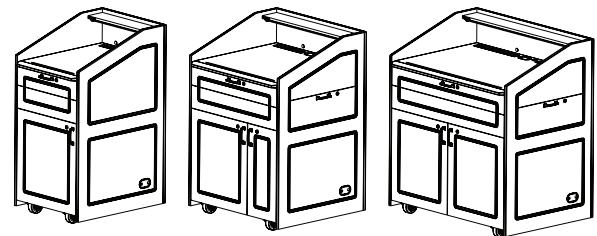
side view



rear view



L5 lecterns finishing kits
(klasik style)



23" flat
L5-KFK-23BT

33" flat
L5-KFK-33BT

43" flat
L5-KFK-43BT

Finishing Kit (Flat)	"A" Worksurface Width	Style	Use with Frame
L5-KFK-23XY	21.84 [555]	klasik	IL5-FLATFR-WS23
L5-KFK-33XY	31.41 [798]	klasik	IL5-FLATFR-WS33
L5-KFK-43XY	41.41 [1052]	klasik	IL5-FLATFR-WS43

*X' = B For Classic Bronze
*X' = N For Satin Nickel

*Y' = T For T-Lam Finishes
*Y' = V For Veneer Finishes

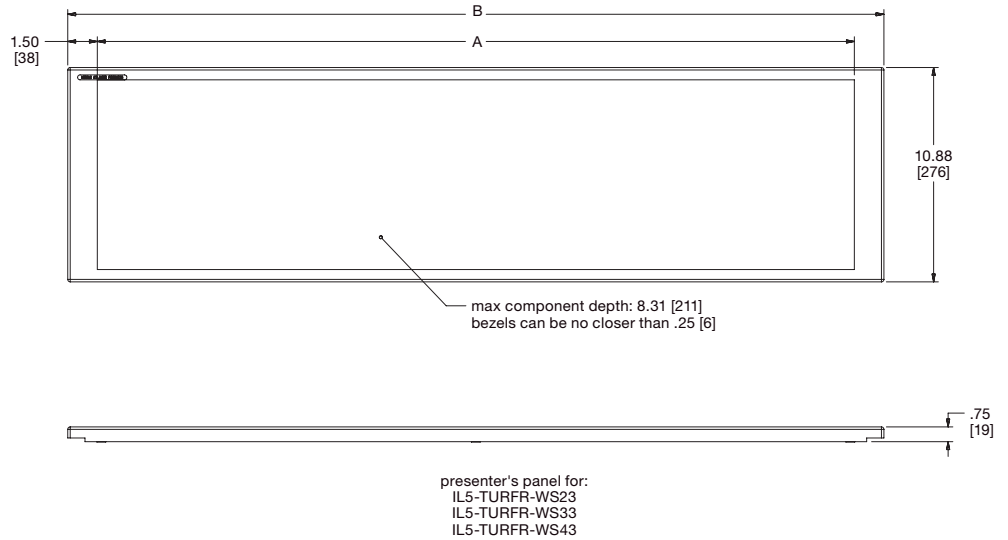
what great systems are built on.™

IL5 Series

basic dimensions

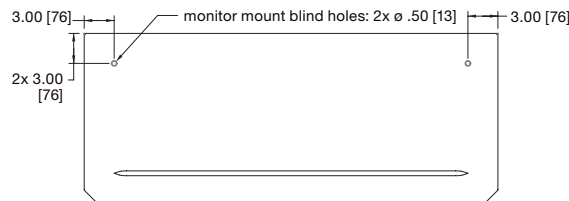
all dimensions in inches unless otherwise noted [all dimensions in brackets are in millimeters]

Product #	"A" Usable Panel Width	"B" Panel Width
IL5-TURFR-WS23	18.84 [478]	21.84 [555]
IL5-TURFR-WS33	28.41 [722]	31.41 [789]
IL5-TURFR-WS43	38.41 [976]	41.41 [1052]

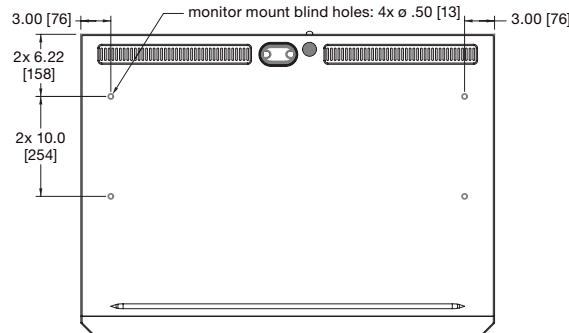


Note: presenter panel is made of 3/4" black thermofolied MDF.

Goes with Turret Frame
IL5-TURFR-WS23
IL5-TURFR-WS33
IL5-TURFR-WS43



Goes with Flat Frame
IL5-FLATFR-WS23
IL5-FLATFR-WS33
IL5-FLATFR-WS43



Note:
1. Blind holes indicate mounting locations for monitor mount MMB-1X1-12C
2. Monitor capability: VESA 75 mm and 100 mm monitor weight: up to 25 lbs per monitor

what great systems are built on.™

A Group brand | legrand

Middle Atlantic Products
middleatlantic.com | middleatlantic.ca