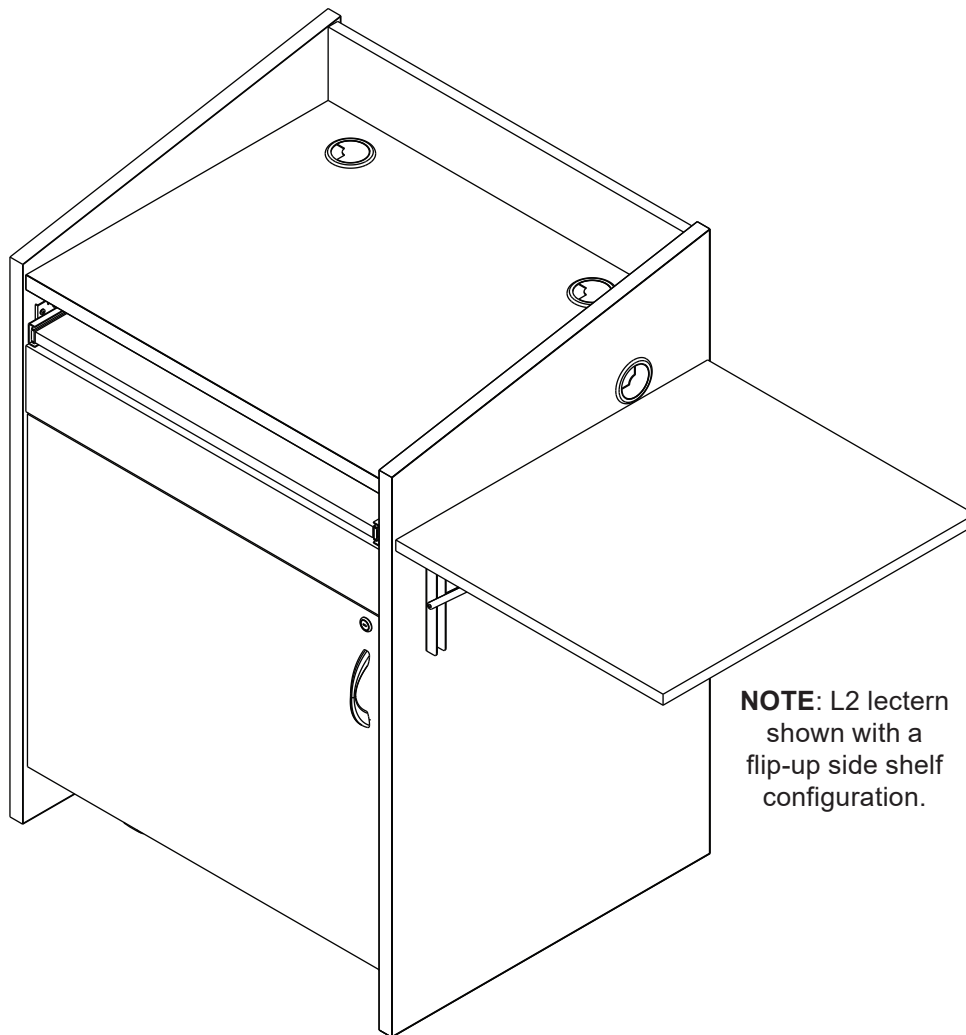


INSTRUCTION SHEET

L2 SERIES

LECTERN



NOTE: L2 lectern shown with a flip-up side shelf configuration.

THANK YOU

Thank you for purchasing the L2 Series lectern. Please read these instructions thoroughly before installing or assembling this product.

PRODUCT FEATURES

- The only budget-friendly lectern solution that delivers support and security for AV systems, complete with a patented rack, power, thermal and cable management, and connectivity.
- The 12 RU removable rack boasts a tool-less experience with easy access to rear connections or removal for simple servicing, yet locks in place for transportation.
- Flip-up side shelf for extra surface space on certain models.

**MIDDLE
ATLANTIC**

A brand of **legrand**

I-00824

Rev B

IMPORTANT SAFETY INSTRUCTIONS

- Read these instructions.
- Heed all warnings.
- Clean only with dry cloth.
- Keep these instructions.
- Follow all instructions.
- Only use attachments/accessories specified by the manufacturer.



DANGER HAZARDOUS VOLTAGE: The lightning flash with the arrowhead symbol, within an equilateral triangle is intended to alert the user to the presence of uninsulated dangerous voltage within the product's enclosure that may be of sufficient magnitude to constitute a risk of electric shock to persons.



WARNING: A warning alerts you to a situation that could result in serious personal injury or death.



CAUTION: A caution alerts you to a situation that may result in minor personal injury or damage to the product and/or property.

NOTE: A note is used to highlight procedures pertaining to the installation, operation, or maintenance of the product.



WARNING: Failure to read, understand and follow the following information can result in serious personal injury, damage to the equipment or voiding of the warranty. It is the responsibility of the Installer/User to ensure that this product is loaded according to specifications.



WARNING: Exceeding the weight ratings listed can result in serious injury or damage to the equipment. It is the responsibility of the Installer/User to ensure the components installed do not surpass the weight ratings as an unstable condition can occur which may cause possible injury or damage.



CAUTION: If there is visible damage on the product, it must not be installed.



CAUTION: Safety measures must be practiced at all times during the assembly of this product. Use proper safety equipment and tools for the assembly procedure to prevent personal injury.



CAUTION: Note that during construction, there must be no possibility of personal injury, for example the squeezing of fingers or arms.



CAUTION: For loading, always put heavier items at the bottom of the bays, not near the top, in order to help prevent the possibility of the furnishing tipping over.



CAUTION: The appliance is not intended for use by young children or infirm persons without supervision.

Safety Instructions: Rack Mount

Elevated Operating Ambient: If installed in a closed or multi-unit rack assembly, the operating ambient temperature of the rack environment may be greater than room ambient. Therefore, consideration should be given to installing the equipment in an environment compatible with the maximum ambient temperature (T_{ma}) specified by the manufacturer.

Reduced Air Flow: Installation of the equipment in a rack should be such that the amount of air flow required for safe operation of the equipment is not compromised.

Mechanical Loading: Mounting of the equipment in the rack should be such that a hazardous condition is not achieved due to uneven mechanical loading.

Circuit Overloading: Consideration should be given to the connection of the equipment to the supply circuit and the effect that overloading of the circuit might have on overcurrent protection and supply wiring. Appropriate consideration of equipment nameplate ratings should be used when addressing this concern.

Reliable Earthing: Reliable earthing of rack-mounting equipment should be maintained. Particular attention should be given to supply connections other than direct connections to the branch circuit (e.g. use of power strips).

Disconnect Device (Pluggable Equipment): The socket-outlet shall be installed near the equipment and shall be easily accessible.

INSTRUCTIONS IMPORTANTES SUR LA SÉCURITÉ

- Lire ces instructions.
- Respectez tous les avertissements.
- Nettoyer uniquement avec un chiffon sec.
- Conservez ces instructions.
- Suivez toutes les instructions.
- N'utilisez que des accessoires spécifiés par le fabricant.



DANGER TENSION DANGEREUSE: Le symbole de la pointe de flèche, dans un triangle équilatéral, est destiné à alerter l'utilisateur sur la présence de tension dangereuse non isolée dans l'enceinte du produit qui peut être d'une ampleur suffisante pour constituer un risque d'électrocution.



AVERTISSEMENT: Un avertissement vous avertit d'une situation pouvant entraîner des blessures graves ou la mort.



ATTENTION: Une attention vous avertit d'une situation pouvant entraîner des blessures mineures ou des dommages au produit et/ou à la

REMARQUE: Une remarque est utilisée pour mettre en évidence les procédures relatives à l'installation, au fonctionnement ou à l'entretien du produit.



AVERTISSEMENT: Refus de lire, comprendre et suivre les renseignements suivants peut traduire par de graves blessures, des dommages à l'équipement ou invalider la garantie. Il est la responsabilité de l'installateur/utilisateur de s'assurer que ce produit est chargé conformément aux spécifications.



AVERTISSEMENT: Le dépassement des poids nominaux indiqués peut entraîner des blessures graves ou des dommages à l'équipement. C'est la responsabilité de l'installateur/utilisateur de s'assurer que les composants installés ne dépassent pas les notes de poids comme un instable condition peut se produire qui peut causer des blessures ou dommages.



ATTENTION: S'il ya des dommages visibles sur le produit, il ne doit pas être installé.



ATTENTION: Des mesures de sécurité doivent être mises en œuvre en tout temps lors de l'assemblage de ce produit. Utiliser un équipement et des outils de sécurité appropriés pour la procédures de afin d'éviter les blessures.



ATTENTION: Notez que pendant la construction, il ne doit pas y avoir de risque de blessure, comme par exemple le écraser des doigts ou des bras.



ATTENTION: Pour le chargement, placez toujours des articles plus lourds au bas des baies, pas près du sommet, afin d'éviter la possibilité de basculement de l'ameublement.



ATTENTION: L'appareil n'est pas destiné à être utilisé par des enfants en bas âge ou des personnes infirmes sans surveillance.

Consignes de sécurité: montage en rack

Température de fonctionnement élevée: Si installé dans un rack fermé ou à unités multiples, la température ambiante de fonctionnement de l'environnement du rack peut être supérieure à ambiante de la pièce. Par conséquent, il faudrait envisager d'installer l'équipement dans un environnement compatible avec la température ambiante maximale (T_{ma}) spécifiée par le constructeur.

Réduction Air accréditives: Installation de l'équipement dans un rack doit être telle que la quantité de flux d'air nécessaire au bon fonctionnement de l'équipement ne soit pas compromise.

Chargement mécanique: Le montage de l'équipement dans le rack doit être telle qu'une condition dangereuse ne lié à un chargement mécanique irrégulier.

Surcharge des circuits: Il faudrait envisager à la connexion de l'équipement au circuit d'alimentation et l'effet que la surcharge du circuit pourrait avoir sur la protection contre les surintensités et le câblage d'alimentation. Examen approprié des équipements évaluations de la plaque signalétique doit être utilisée pour traiter de cette préoccupation.

Mise à la terre fiable: Fiable mise à la terre de l'équipement de montage en rack doit être maintenue. Une attention particulière devrait être accordée aux connexions d'alimentation autres que les connexions directes vers le circuit de dérivation (par exemple de l'utilisation de bandes de puissance).

Appareil Disconnect (Équipement Pluggable): La prise de courant doit être installée à proximité du matériel et doit être facilement accessible.

WEIGHT RATINGS

Model Number	Weight Rating
Rack Inside L2 Lectern	75 lb. (34 kg) Maximum Total Rated Load
Flip-Up Side Shelf	20 lb. (9.1 kg) Maximum Total Rated Load
Lectern, Rack, and Flip-Up Side Shelf	150 lb. (68 kg) Maximum Total Rated Load



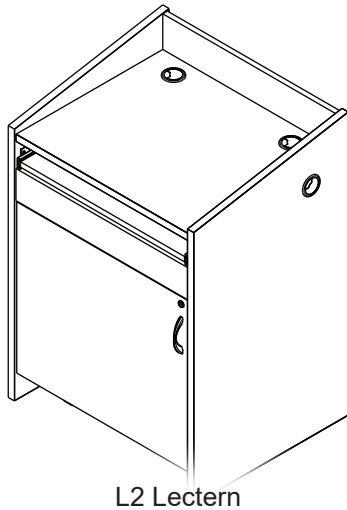
WARNING: This product is intended for use only with the products and maximum weights indicated. Use with other products or products heavier than the maximum weights indicated may result in instability causing possible injury. Total equipment weight must not exceed 150 lb. (68 kg).



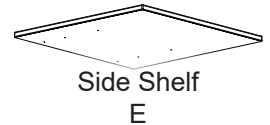
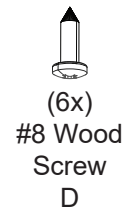
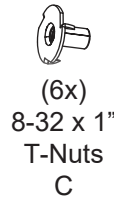
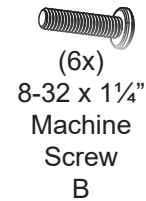
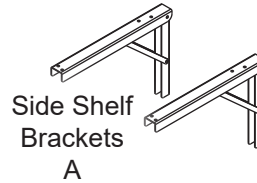
AVERTISSEMENT: Cette produit est conçu pour être utilisé uniquement avec les produits et les poids maximum indiqués. uniquement avec les produits et les poids maximaux indiqués. En cas d'utilisation avec d'autres produits ou des produits plus lourds que le poids maximal indiqué, le chariot peut devenir instable et causer des blessures. Le poids total de l'équipement ne doit pas dépasser 68 kg (150 lb.).

SUPPLIED COMPONENTS AND HARDWARE

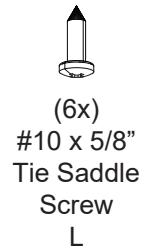
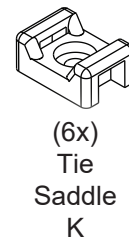
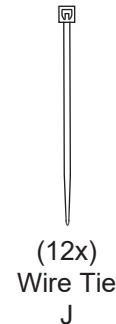
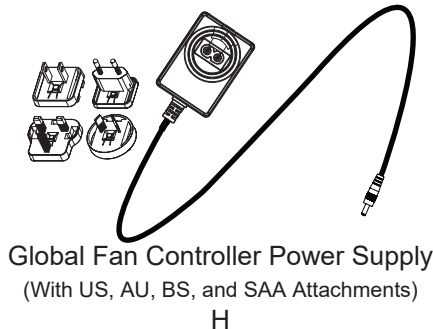
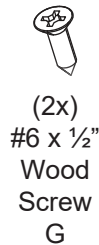
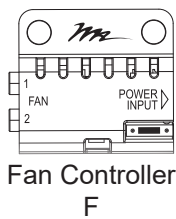
If any pieces are missing or damaged, please report it immediately to Technical Support at av.support@legrand.com or (866) 977-3901.



FLIP-UP SIDE SHELF (IF ORDERED)



FAN CONTROLLER



NOTE:

- To order more hardware, contact support at av.support@legrand.com or (866) 977-3901.
- Additional hardware is included that may not be required for your installation.

REQUIRED TOOLS

- Hammer
- ¼" Drill Bit
- Power Driver
With 6" Long Phillips Bit
or 6" Long #2 Phillips
Screwdriver



WARNING: Use tools with caution and follow all necessary safety protocols.

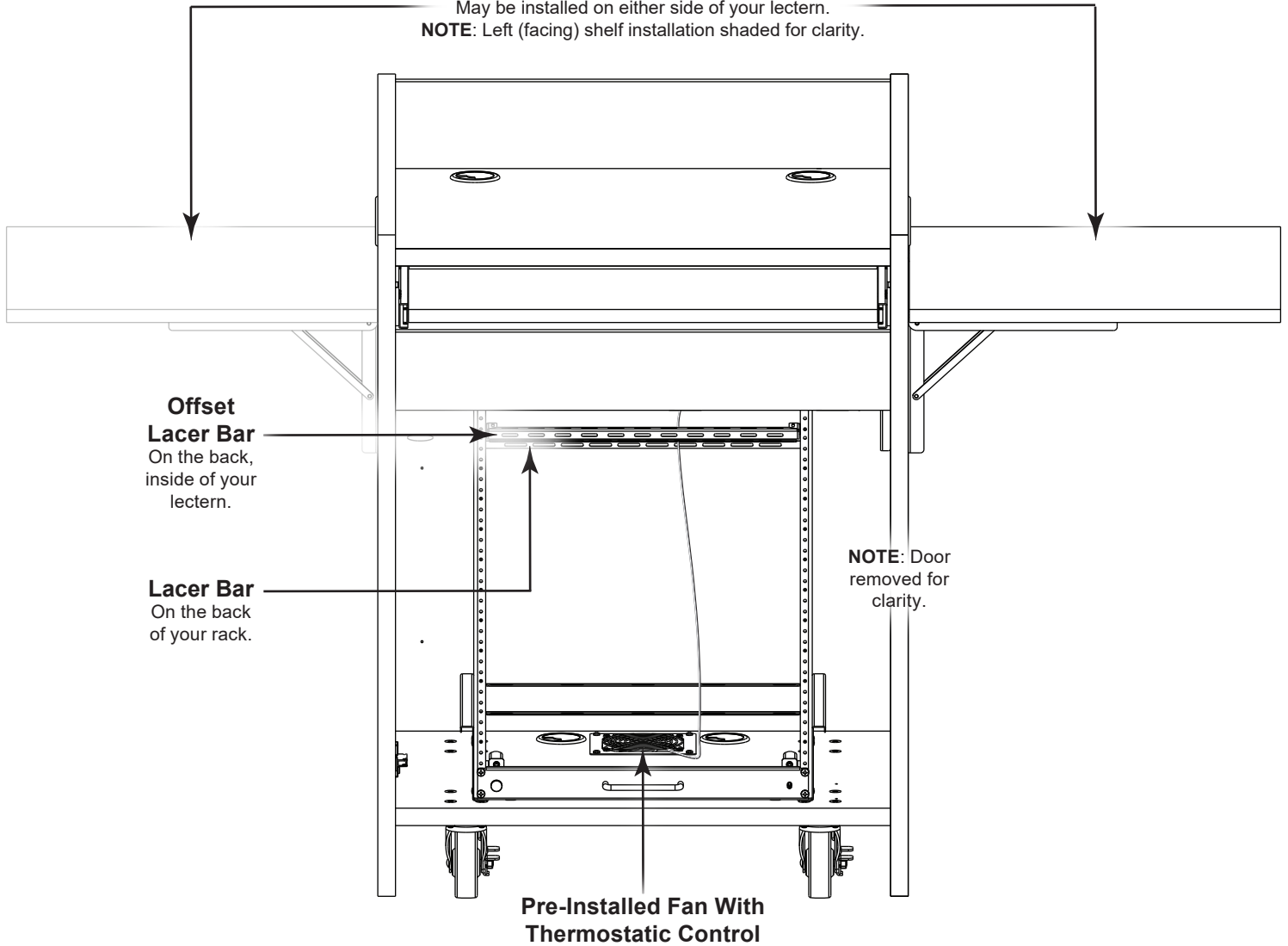
AVERTISSEMENT: Utiliser des outils avec prudence et suivre tous les protocoles de sécurité nécessaires.

PRODUCT FEATURES (CONTINUED)

Flip-Up Side Shelf

May be installed on either side of your lectern.

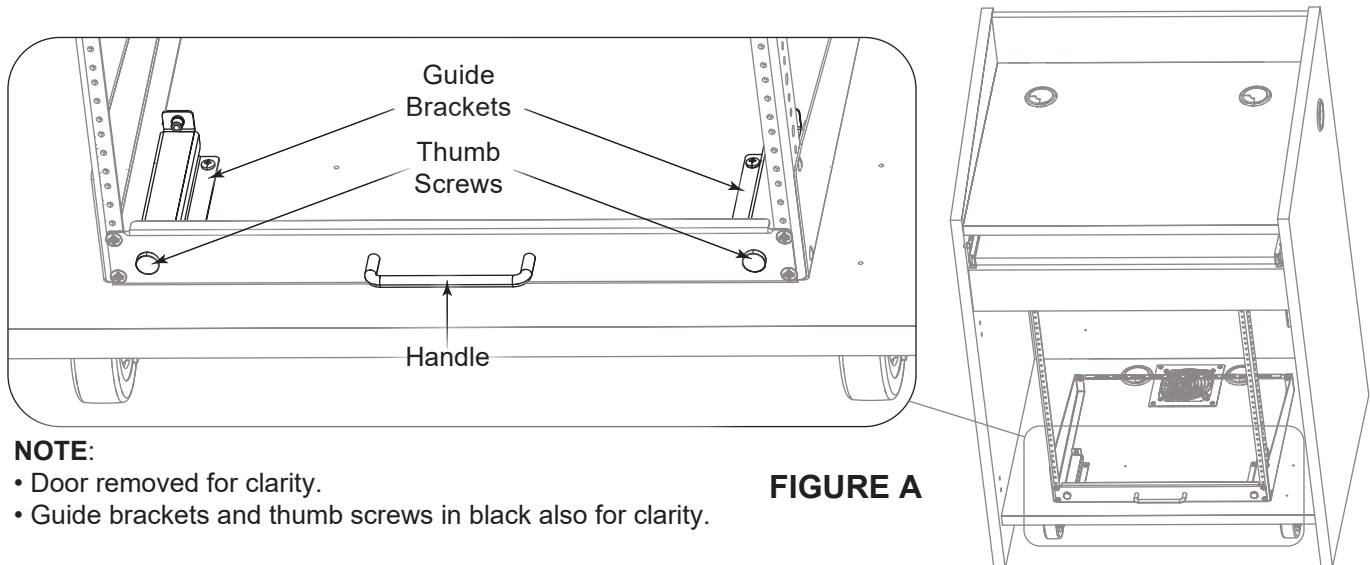
NOTE: Left (facing) shelf installation shaded for clarity.



REMOVING THE RACK FROM THE GUIDE BRACKETS

1. Remove (2x) thumb screws. (**FIGURE A**)
2. Use handle on front of lower rack to pull the framework out of the lectern and off the guide brackets.
3. Reverse the procedure to re-install the rack.

NOTE: Carefully review all other topics in these instructions before loading equipment in the rack, performing cable management, and reinstalling the rack inside the lectern.



RELOCATING THE RACK

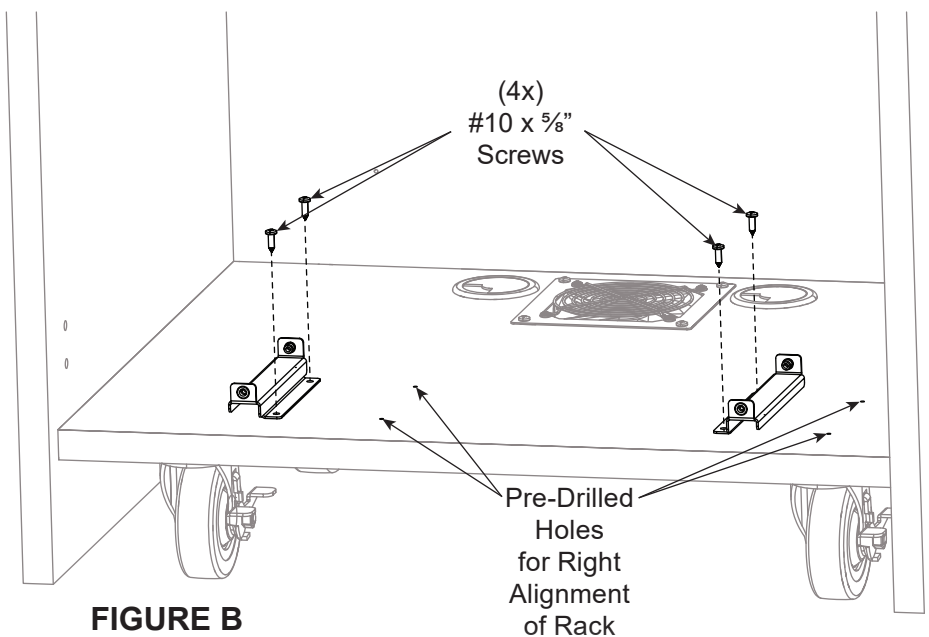
NOTE:

- Your rack comes pre-assembled with the guide brackets in the center position; however, they may be moved to the right (facing) position, if desired.
- Verify the torque on your power driver is on the lightest setting and only increase as necessary.

1. Use power driver and #2 Phillips bit to remove the (4x) #10 x 5/8" screws on the guide brackets as shown. (**FIGURE B**)

2. Shift the guide brackets to the other pre-drilled holes.

3. Use the screws to attach each guide bracket to the bottom of the lectern.



NOTE:

- Door removed for clarity.
- Guide brackets, screws, and pre-drilled holes in black also for clarity.

INSTALLING THE FLIP-UP SIDE SHELF (IF ORDERED)

NOTE: Use the following topic if your lectern includes a flip-up side shelf configuration.

1. Locate pilot mounting holes (inside of the lectern) on the side you wish to install the shelf.
(**FIGURE C**)

NOTE: The figure shows a right panel shelf installation, but the procedure is the same for either side.

2. Use power driver and $\frac{1}{4}$ " bit to enlarge and drill through the six mounting holes from the inside surface of the side panel.

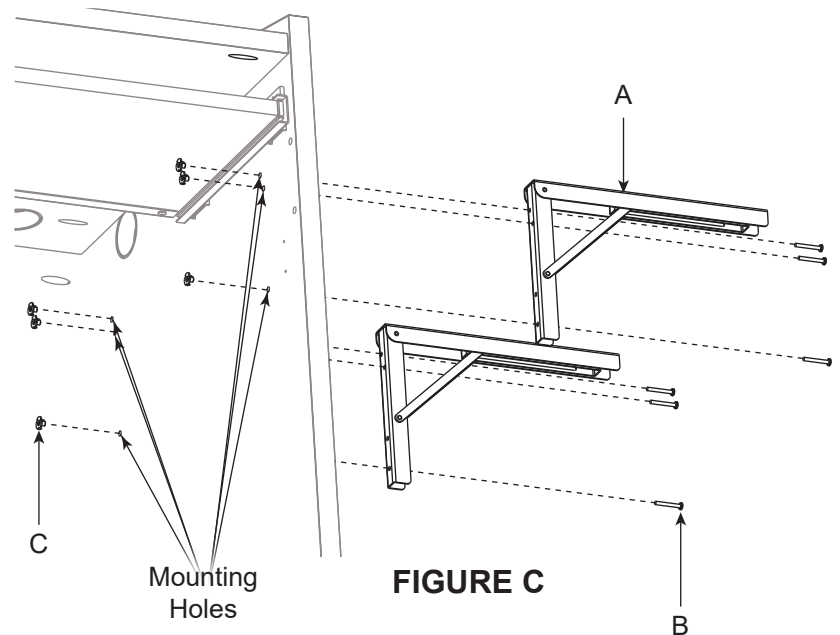
NOTE: Only drill from the inside of your lectern when enlarging the six mounting holes to avoid any chipping or splintering.

3. Make sure both side shelf brackets (A) are in the open position as shown.

NOTE:

- Open or close your shelf brackets by pressing the bottom portion of the long end.
- Verify the torque on your power driver is on the lightest setting and only increase as necessary.

4. Use (6x) 8-32 x $1\frac{1}{4}$ " machine screws (B, 3 per bracket) and (6x) t-nuts (C) to attach brackets to the side panel as shown. (**FIGURE C**)



NOTE: Do not fully tighten screws at this point.

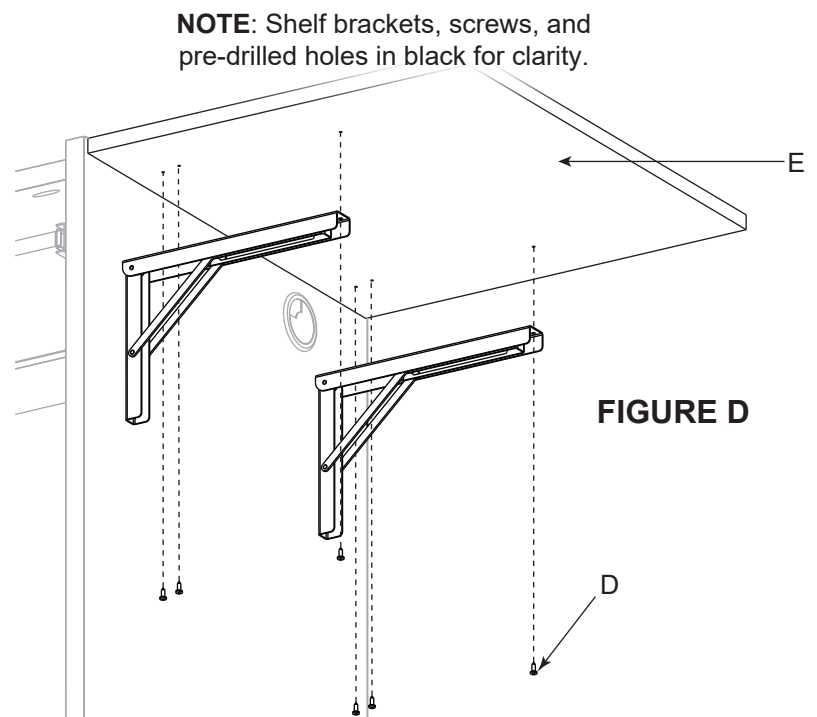
5. Use (6x) #8 wood screws (D, 3 per bracket) to attach the side shelf (E) to the brackets. (**FIGURE D**)

NOTE: Do not fully tighten screws at this point.

6. Press the long ends of the brackets to move the side shelf into the up and down positions and make fine adjustments to the screws as necessary.

7. Tighten all screws. Do not overtighten.

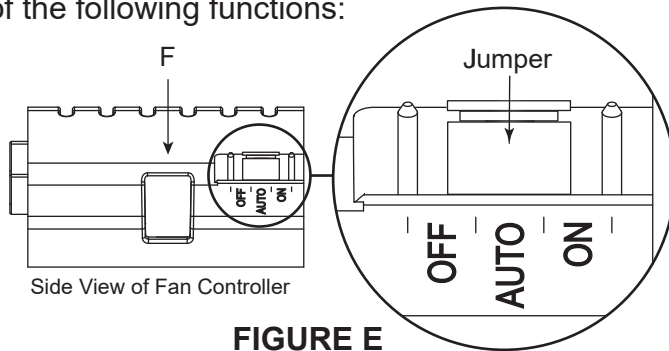
NOTE: Make sure t-nuts (C) are fully seated on the inside of the side panel when tightening the machine screws (B) at this point.



NOTE: Shelf brackets, screws, and pre-drilled holes in black for clarity.

CONNECTING THE PRE-INSTALLED FAN

1. Install the jumper on the fan controller (F) for one of the following functions:



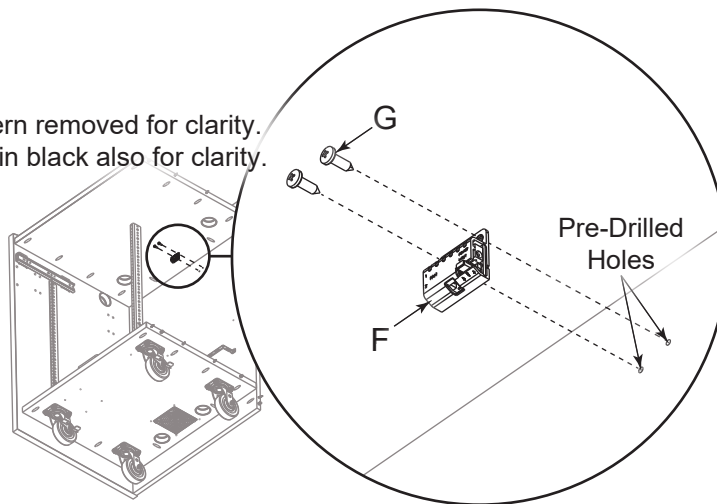
- Jumper on two center pins (pre-installed location) turns the fan on at 87° F (31° C) and off at 85° F (29° C). (**FIGURE E**)
- Jumper on two left pins, fan will remain off.
- Jumper on two right pins, fan will remain on.

NOTE: Verify the torque on your power driver is on the lightest setting and only increase as necessary.

2. Use (2x) #6 x 1/2" wood screws (G) to mount the fan controller (F) at the pre-drilled holes on the back, inside of the lectern. (**FIGURE F**)

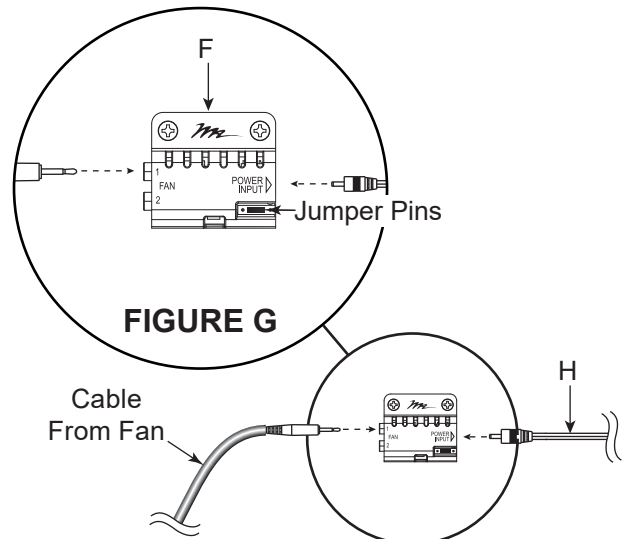
NOTE:

- Door and right side of lectern removed for clarity.
- Fan controller and screws in black also for clarity.



3. Run the cable from the pre-installed fan to the inline fan controller (F). (Inputs 1 and 2 are interchangeable.) (**FIGURE G**)

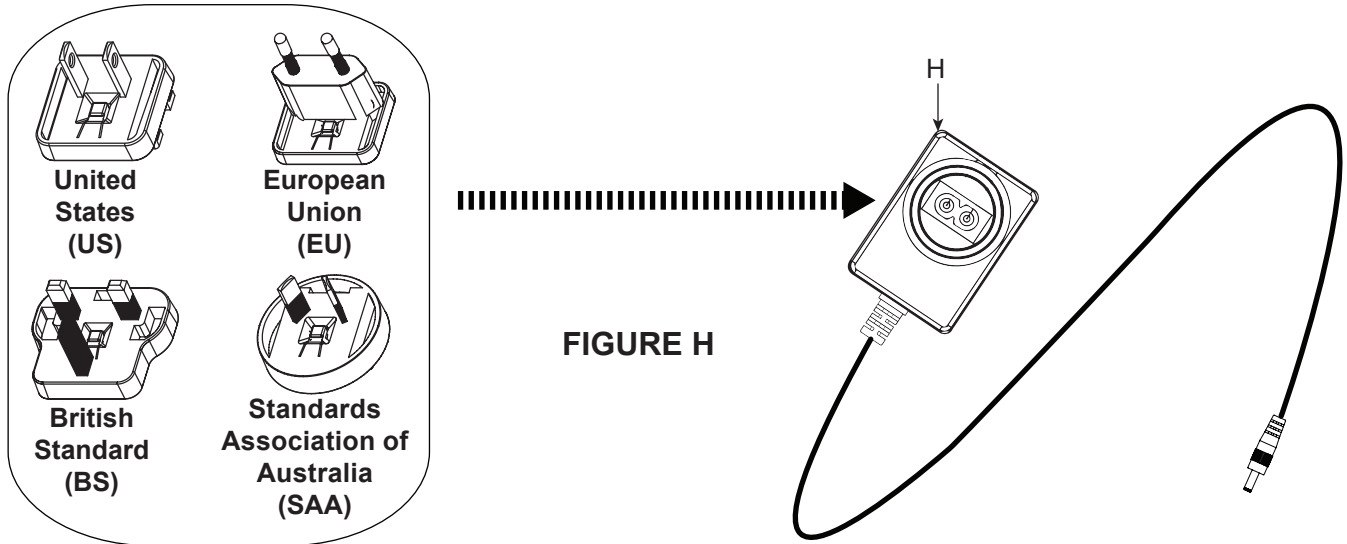
4. Connect the small end of the global power supply (H) to input on inline fan controller (F).



CONNECTING THE PRE-INSTALLED FAN (CONTINUED)

5. Fasten the connector for your specific locale to the large end of the global power supply (H) as shown. (**FIGURE H**)

NOTE: Attachments for US, EU, BS, and SAA are provided with the global power supply.



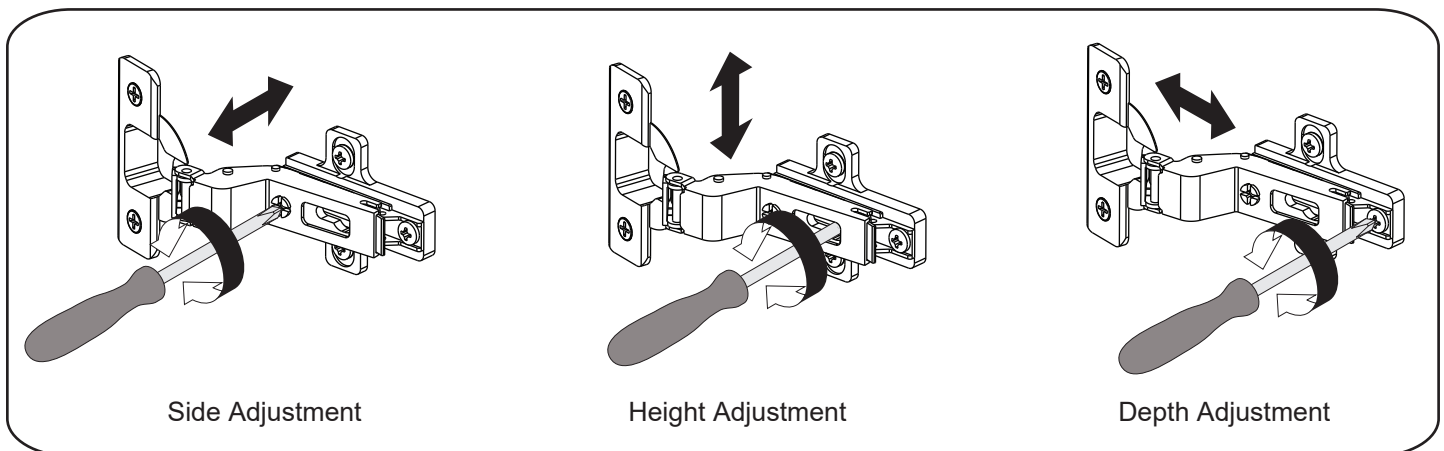
6. After reading the remaining topics in this instruction sheet, connect the global power supply (H) to an appropriately rated power supply.

NOTE: Wire ties (J) are provided for cable management.

ADJUSTING THE DOOR

NOTE: Generic hinge shown. The hinges used for the door on your lectern may differ, however, the adjustment screws are in similar locations and make the same movements.

- If necessary, use a #2 Phillips screwdriver to adjust door hinges as shown. (**FIGURE J**)



RELOCATING THE LACER BAR INSIDE THE BACK OF THE LECTERN

If desired, you may relocate the lacer bar that is pre-installed inside the back of the lectern into any of the pre-drilled screw locations.

(FIGURE K)

NOTE:

- Leaving the lacer bar in the pre-installed top position is best for forming a proper service loop as shown in the next topic.
- Verify the torque on your power driver is on the lightest setting and only increase as necessary.

1. Use power driver or screwdriver to remove (2x) #10 x $\frac{5}{8}$ " screws from the lacer bar.

2. Find the pre-drilled holes on the inside of the lectern in the position you wish to relocate the lacer bar.

(FIGURE K)

3. Reattach the lacer bar using the screws.

(2x)
#10 x $\frac{5}{8}$ "
Screws

NOTE:

- Back of lectern isolated for clarity.
- Lacer bar and screws in black also for clarity.

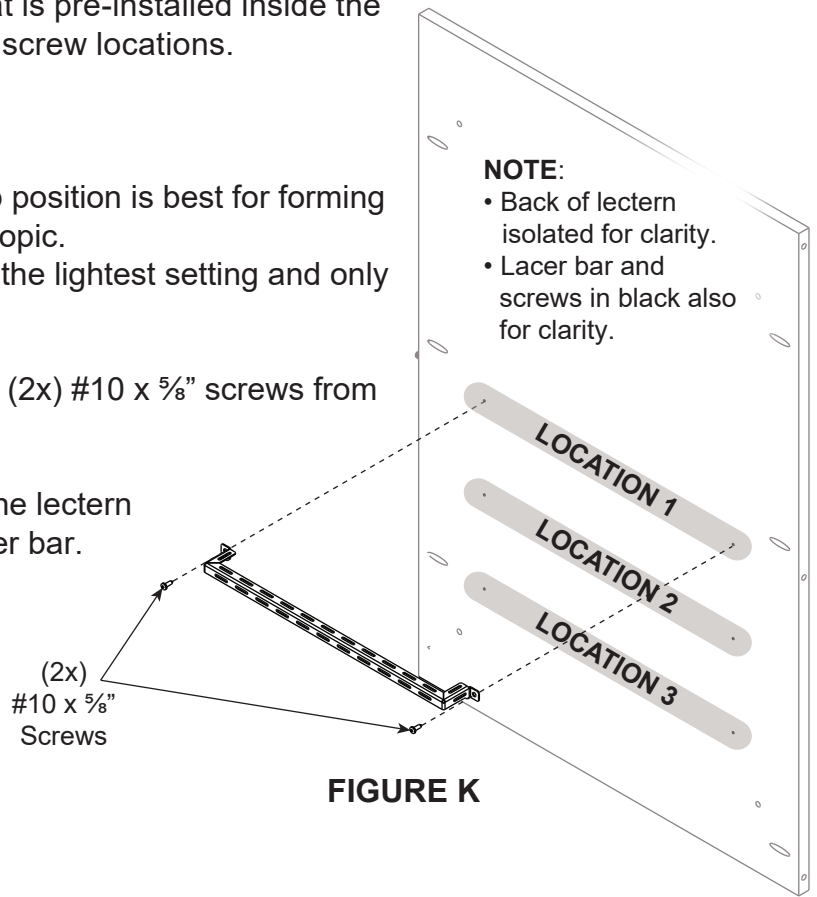


FIGURE K

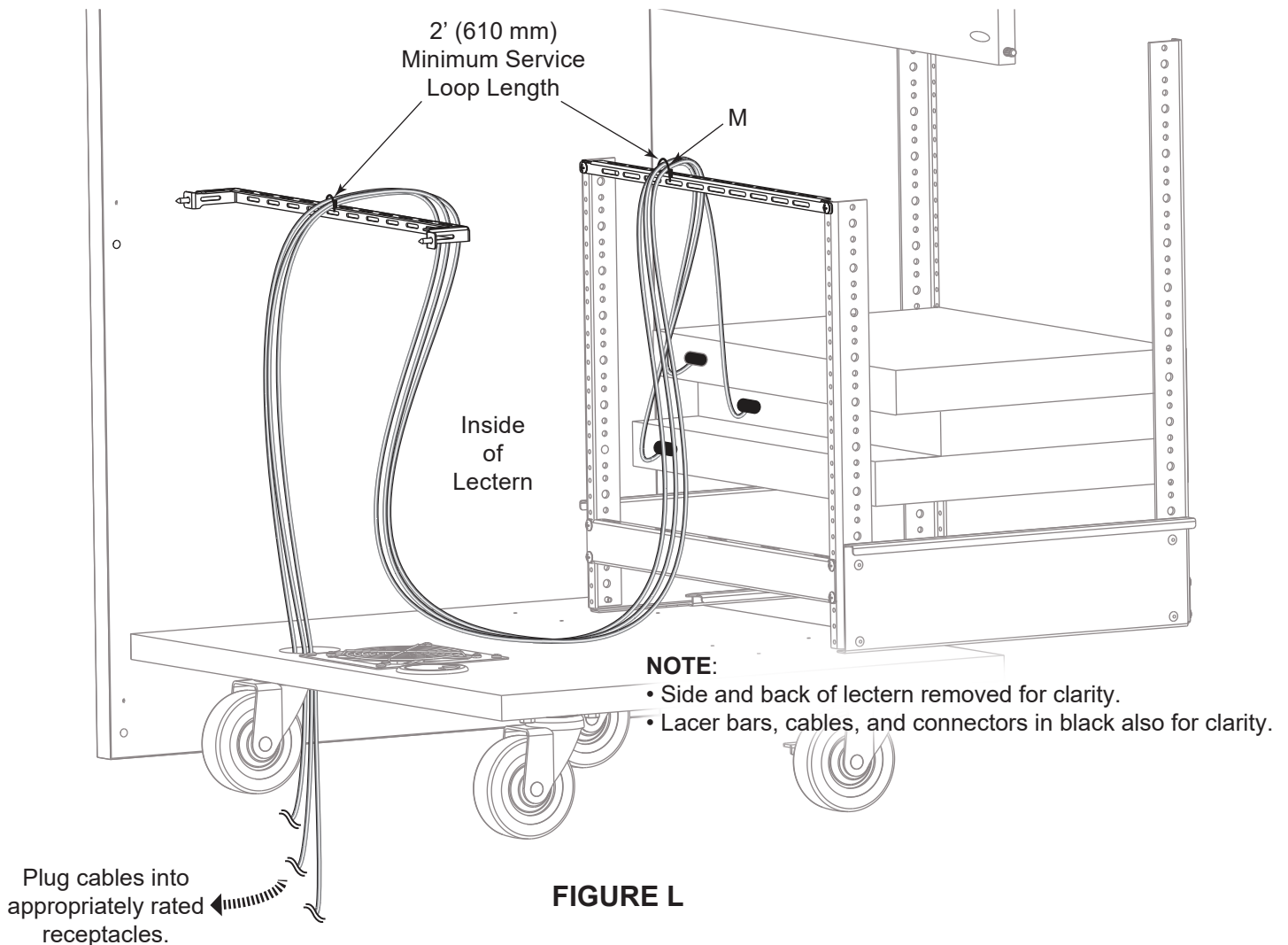
CABLE MANAGEMENT

This topic shows you how to create a proper service loop when running cables to equipment installed in the rack inside your lectern.

1. Load your equipment into the rack and form a service loop by using wire ties (M) to attach the cables to the lacer bars on the back of the rack and lectern as shown. (**FIGURE L**)

NOTE: The length of the service loop should be a minimum of 2' (610 mm) for proper clearance when removing the rack from the lectern and servicing equipment.

2. Run the equipment cables through one of the grommet holes on the bottom of the lectern and into your desired receptacle.
3. Reinstall the rack on the guide brackets inside the lectern. For more information, see "Removing the Rack From the Guide Brackets" on page 6.



WARRANTY

For warranty information, refer to legrandav.com/policies/warranty_information.

Corporate Headquarters

P: (866) 977-3901 | F: (877) 894-6918 | legrandav.com | av.support@legrand.com

Middle Atlantic Canada

P: (888) 766-9770 | F: (888) 599-5009 | ca.middleatlantic.com | av.canada.customerservice@legrand.com

Middle Atlantic EMEA Technical Support

P: +31 495-726-003 | av.emea.middleatlantic.support@legrand.com

Factory Distribution

United States: New Jersey, California, and Illinois | Canada: Ontario | The Netherlands: Weert

At Legrand AV Inc. we are always listening. Your comments are welcome.

Legrand AV is an ISO 9001 and ISO 14001 Registered Company.

**MIDDLE
ATLANTIC®**

A brand of  **legrand®**