

## Low Profile eco PDU

### PE6324L

The PE6324L PDUs are low-profile units featuring 24 AC outlets, coming available in various IEC or NEMA socket configurations. This series has a smaller input region on the PDU to provide more installation space for data centers.

The PE6324L eco PDUs offers remote power control with real-time power measurement - allowing users to monitor the power status of devices attached to the PDUs, either at the PDU device or Bank level, from practically any location via a TCP / IP connection. The power status of each outlet can be set individually, allowing users to switch each device On / Off.

This series supports any 3<sup>rd</sup> party v1, v2 & v3 SNMP Manager Software and ATEN eco DC (Energy & DCIM Management Web GUI), delivering an easy method for multiple device management while offering an intuitive and user-friendly GUI that allows users to configure a PDU device and monitor power status of the equipment connected to it.



PE6324LB



PE6324LG



PE6324LJA

## Features

### Connections

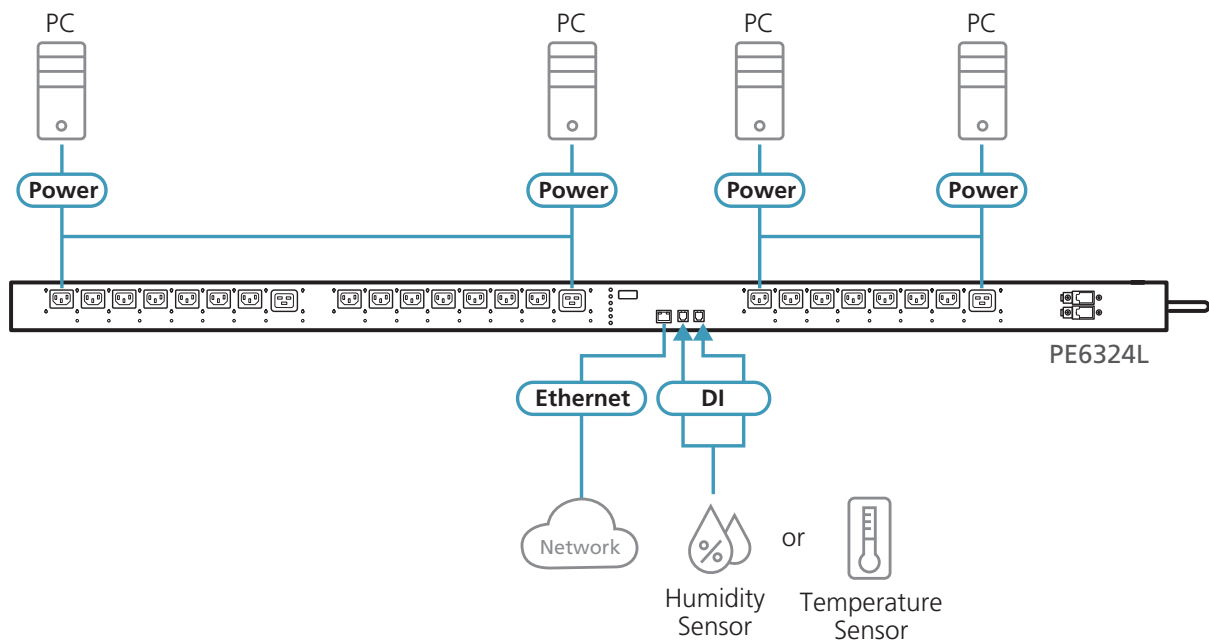
- Supports 10 / 100 Mbit Ethernet Interface
- Supports TCP/IP, UDP, HTTP, HTTPS, SSL, DHCP, SMTP, NTP, DNS, Auto Sense, Ping, Telnet, and SNMP V1,V2&V3
- Supports 2-level account/password security, IP/MAC filter, 128 bit SSL, RADIUS
- Supports eco DC, Browser (IE, Firefox, Chrome, and Safari)

### Metering

- Bank level power metering and monitoring
- Environment monitoring : supports external temperature / temperature & humidity sensors for rack temperature and humidity monitoring
- Allows for current, voltage, power, power dissipation, temperature, and humidity metering and threshold level settings

### Outlet Switch Control

- Remote power outlet control ( On / Off / Power Cycle) by individual outlets and outlet groups
- Supports multiple power control methods – Wake on LAN, System After AC Back, and Kill the Power
- Power-On sequencing – users can set the power on sequence and delay time for each outlet to allow equipment to be turned on in the proper order
- Proactive Overload Protection (POP) – automatically powers off outlets when current overloads to protect operating devices



## Specifications

	PE6324LB	PE6324LG	PE6324LJA
<b>Electrical</b>			
Nominal Input Voltage	100 – 240 VAC	100 – 240 VAC	100 – 120 VAC
Maximum Input Current	30A (Max); 24A (UL de-rated)	32A (Max)	30A (Max); 24A (UL de-rated)
Input Frequency	50-60 Hz		
Input Connection	NEMA L6-30P	IEC 60309 32A	NEMA L5-30P
Input Power	6240 VA(Max) ; 4992 VA(UL de-rated)	7360 VA (Max)	3.6k VA(Max) ; 2.9k VA(UL de-rated)
Outlet Type	Total: 21 x IEC 60320 C13 + 3 x IEC 60320 C19 Bank1-1: Outlet 1 – 8; 7 x C13 + 1 x C19 Bank1-2: Outlet 9 – 16; 7 x C13 + 1 x C19 Bank2: Outlet 17 – 24; 7 x C13 + 1 x C19	Total: 21 x IEC 60320 C13 + 3 x IEC 60320 C19 Bank1-1: Outlet 1 – 8; 7 x C13 + 1 x C19 Bank1-2: Outlet 9 – 16; 7 x C13 + 1 x C19 Bank2: Outlet 17 – 24; 7 x C13 + 1 x C19	Total : 24 x NEMA 5-15R Bank1-1 : Outlet 1 – 8 ; 8 x NEMA 5-15R Bank1-2 : Outlet 9 – 16 ; 8 x NEMA 5-15R Bank2 : Outlet 17 – 24 ; 8 x NEMA 5-15R
Nominal Output Voltage	100 – 240 VAC	100 – 240 VAC	100 – 120 VAC
Maximum Output Current (Outlet)	C13: 15A (Max) ; 12A (UL de-rated) C19: 20A (Max) ; 16A (UL de-rated)	C13: 10A (Max) C19: 16A (Max)	NEMA 5-15R : 15A (Max) ; 12A (UL de-rated)
Maximum Output Current (Bank)	15A (Max) ; 12A (UL de-rated)	16A (Max)	15A (Max) ; 12A (UL de-rated)
Maximum Output Current (Total)	30A (Max) ; 24A (UL de-rated)	32A (Max)	30A (Max) ; 24A (UL de-rated)
Breakers	2 x 16A Slim Breaker		
Metering	Bank Level Current, Voltage, VA , PF and kWh Monitoring		
Outlet Switching	Yes		
Environment Sensor Ports	2		
Metering Accuracy	Voltage Range: 100VAC ~ 250VAC +/-1% Power Range: 100W ~ Maximum Capacity +/- 2% Current Range: 0.1A~1A +/- 0.1A, 1A~20A +/-1%	Voltage Range: 100VAC ~ 250VAC +/-1% Power Range: 100W ~ Maximum Capacity +/- 2% Current Range: 0.1A~1A +/-0.1A, 1A~20A +/-1%	VoltageRange: 100VAC ~ 120VAC +/-1% Power Range: 100W ~ 5000W +/- 2% Current Range: 0.1A~1A +/- 0.1A, 1A~20A +/-1%
<b>Physical Properties</b>			
Dimensions (L x W x H)	177.50 x 6.60 x 4.40 cm	177.50 x 6.60 x 4.40 cm	177.50 x 6.60 x 4.40 cm
Weight	5.76 kg	5.76 kg	6.1 kg
Power Cord Length	1.6 m	1.6 m	1.6 m
<b>Environmental</b>			
Temperature (Operating / Storage)	0 – 50 °C / -20 – 60 °C	0 – 40 °C / -20 – 60 °C	0 – 50 °C / -20 – 60 °C
Humidity (Operating & Storage)	0 – 80 % RH, Non-Condensing		
<b>Compliance</b>			
EMC Verification	FCC, Others by Request	CE, C-Tick, Others by Request	J55022, Others by Request
Safety Verification	By Request	CE-LVDD, Others by Request	PSE, Others by Request

### ATEN International Co., Ltd.

3F., No.125, Sec. 2, Datung Rd., Sijhih District., New Taipei City 221, Taiwan  
 Phone: 886-2-8692-6789 Fax: 886-2-8692-6767  
 www.aten.com E-mail: marketing@aten.com

Product information is subject to change without prior notice.

Released: 04/2023 V3.0

© Copyright 2023 ATEN® International Co. Ltd.  
 ATEN and the ATEN logo are registered trademarks of ATEN International Co., Ltd.  
 All rights reserved. All other trademarks are the property of their respective owners.

