

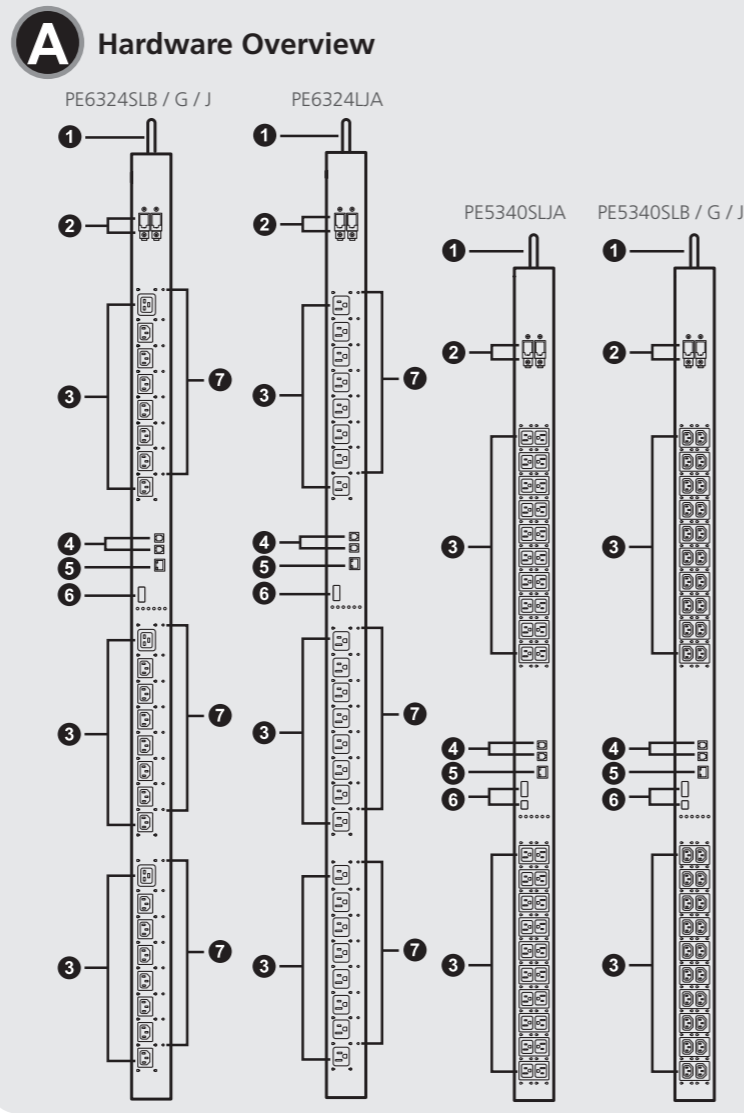
PE5340SL / PE6324L

eco PDU

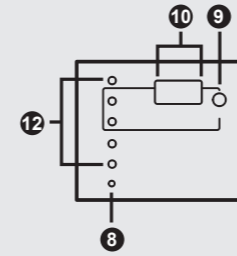
Quick Start Guide

© Copyright 2023 ATEN® International Co. Ltd.
ATEN and the ATEN logo are registered trademarks of ATEN International Co., Ltd.
All rights reserved. All other trademarks are the property of their respective owners.

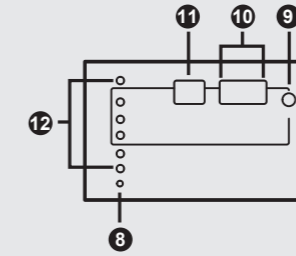
Released: 03/2023



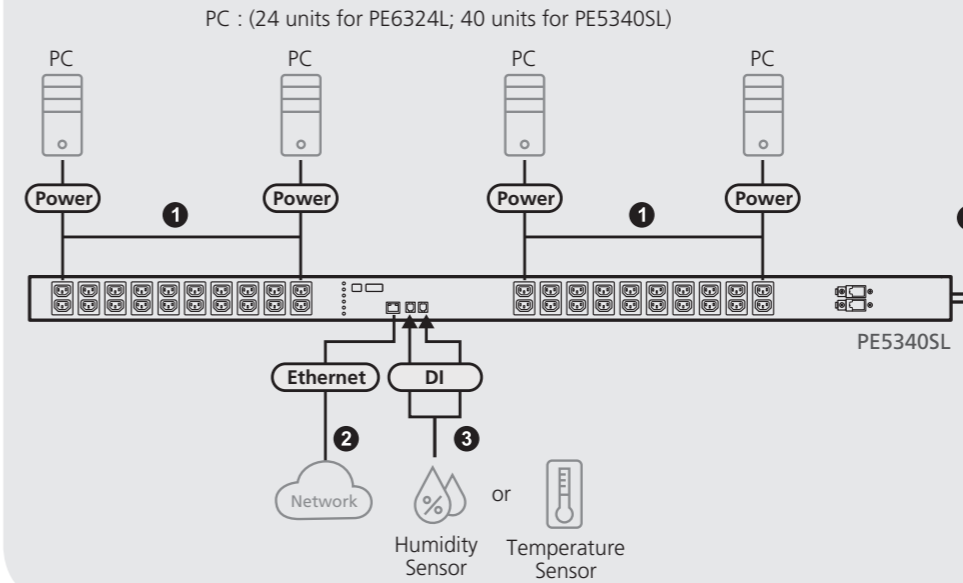
Readout Section
PE6324L/PE6324LJA



PE5340SLJA/PE5340SL



B Installation



Package Contents

- 1 PE5340SL/PE6324L eco PDU
- 1 mounting kit
- 1 user instructions

Support and Documentation Notice

All information, documentation, firmware, software utilities, and specifications contained in this package are subject to change without prior notification by the manufacturer.
To reduce the environmental impact of our products, ATEN documentation and software can be found online at <http://www.aten.com/download/>

Technical Support
www.aten.com/support

Scan for more information

ATEN Website (PE5340SL)



User Manual



ATEN Website (eco DC)



A Hardware Overview

- 1 power cord
- 2 circuit breakers
- 3 power outlets
- 4 sensor ports
- 5 LAN port and LEDs
- 6 readout section
- 7 outlet status LEDs
- 8 reset switch
- 9 selection pushbutton
- 10 readout panel
- 11 ID display
- 12 status LEDs

B Installation

- 1 For each device you want to connect, use its power cable to connect from the device's AC socket to any available outlet on the eco PDU. Use ATEN Lok-U-Plug cable holders to secure them (optional).
- 2 Plug the cable that connects the eco PDU to the LAN into the eco PDU's LAN port.
- 3 To use sensors in your eco PDU installation, connect them to the sensor ports on the unit's front panel.
- 4 Connect the eco PDU's power cord to an AC power source.
Note: We strongly advise that you do not plug the eco PDU into a multi socket extension cord, since it may not receive enough amperage to operate correctly.
- 5 Power on the eco PDU and the connected devices.

Operation

eco PDU models provide three methods to access and manage your installation: Browser, eco DC (Energy & DCIM Management Web GUI) , and SNMP.

Browser

eco PDU can be accessed and controlled via any supported Internet browser from any platform.

To operate the eco PDU from an Internet browser, begin by logging in:

- 1 In a web browser, type the IP address of the eco PDU unit.
Note: The default IP address is *192.168.0.60*
- 2 If a security alert appears, accept the certificate — it can be trusted. The login page appears.
- 3 Enter a valid username and password, and then select a language.
Note: The default login credentials are *administrator* and *password*.
- 4 Click **Login** to bring up the browser main page.

eco DC

All eco PDUs support eco DC (Energy & DCIM Management Web GUI). eco DC provides you with an easy method for managing multiple devices, offering an intuitive and user-friendly GUI that allows you to configure eco PDUs and monitor power status of all equipment connected. To install the software, scan the eco DC QR code to visit the product web page, and then download the installer from the **Support and Downloads** tab.

SNMP

eco PDUs support any 3rd party V1, V2 & V3 SNMP Manager Software. To install the software, scan the ATEN Website QR code to visit the product web page, and then download the installer from the **Support and Downloads** tab.

Securing the Cables

For added safety, use ATEN Lok-U-Plug cable holders to secure the cables from your attached devices in place on the eco PDU unit.

- 2X-EA07 Lok-U-Plug Cable Holder (10 pcs)
- 2X-EA08 Lok-U-Plug Installation Tool (4 pcs)

