

# HDMI HDBaseT-Lite Extender with PoH

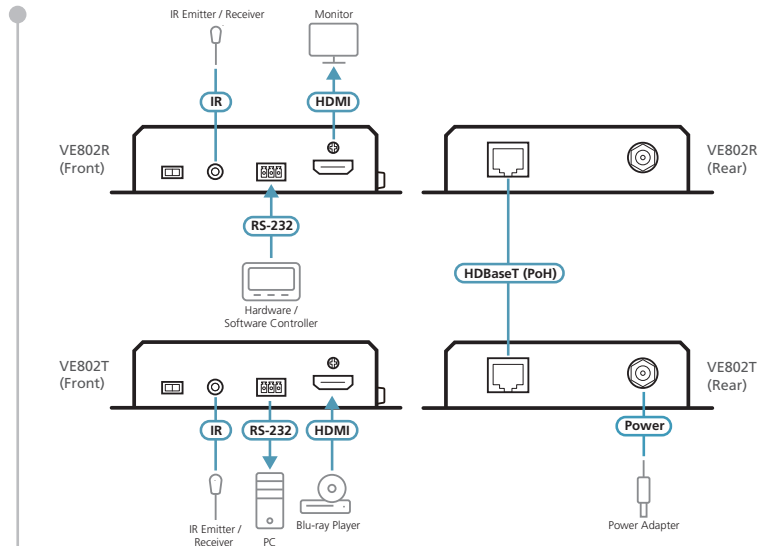
## VE802

The VE802 HDMI HDBaseT-Lite Extender extends an HDBaseT signal up to 70 m from the HDBaseT source using one Cat 5e/6/6a cable. VE802 supports RS-232 and IR signaling pass-through, allowing users to control the HDMI source device from the remote unit (VE802R) while granting access to the HDMI display device from the local unit (VE802T). IR signals can also be extended in both directions. The VE802 features Power over HDBaseT (PoH), which allows power to be delivered over a Cat5e/6/6a cable without an additional power supply. The VE802 is HDMI (3D, Deep Color, 4k) and HDCP compatible. The VE802 is perfect for any digital entertainment centers or any installation that requires superior video quality.



### Features

- HDBaseT Connectivity – extends an HDMI connection over a long distance via one Cat 5e/6/6a cable
- Superior video quality – up to 4K @ 35 m (Cat 5e/6) / 40 m (Cat 6a or ATEN 2L-2910 Cat 6 cable)
- HDBaseT anti-jamming – resists signal interference during high-quality video transmission using HDBaseT technology
- PoH (Power over HDBaseT) – supplies power from Transmitter to Receiver over a long distance via one Cat 5e/6/6a cable
- Bi-directional RS-232 channel – allows users to connect to serial terminals or serial devices, such as touchscreens and barcode scanners
- Bi-directional IR channel – IR transmission is processed one direction at a time
- Rack-mountable



### Specifications

	VE802R	VE802T
<b>Video Input</b>		
Interfaces	N/A	1 x HDMI Type A Female (Black)
Impedance	N/A	100 Ω
Max. Distance	N/A	3 m
<b>Video Output</b>		
Interfaces	1 x HDMI Type A Female (Black)	N/A
Impedance	100 Ω	N/A
Max. Distance	3 m	N/A
<b>Video</b>		
Max. Data Rate	10.2 Gbps (3.4 Gbps per Lane)	
Max. Pixel Clock	340 MHz	
Compliance	HDMI (3D, Deep Color, 4K) HDCP2.2 Compatible Consumer Electronics Control (CEC)	
Max. Resolutions / Distance	Up to 4K @ 35 m (Cat 5e/6) / 40 m (Cat 6a / ATEN 2L-2910 Cat 6); 1080p @ 60 m (Cat 5e/6) / 70 m (Cat 6a / ATEN 2L-2910 Cat 6) *4K supported: 4096 x 2160 / 3840 x 2160 @ 60 Hz (4:2:0); 4096 x 2160 / 3840 x 2160 @ 30 Hz (4:4:4)	
<b>Audio</b>		
Input	N/A	1 x HDMI Type A Female (Black)
Output	1 x HDMI Type A Female (Black)	N/A
<b>Control</b>		
RS-232	Connector: 1 x Terminal Block, 3 pole Baud Rate: 19200, Data Bits:8, Stop Bits:1, no parity and flow control	
IR	1 x Mini Stereo Jack Female (Black)	
<b>Connectors</b>		
Power	1 x DC Jack (Black) with locking or 1 x RJ-45 (Power over HDBaseT, PoH)	1 x DC Jack (Black) with locking
Unit To Unit	1 x RJ-45 Female	
Power Consumption	DC5V:4.37W:20BTU PoH:5.46W:25BTU	DC5V:2.7W:13BTU
<b>Environmental</b>		
Operating Temperature	0 - 50°C	
Storage Temperature	-20 - 60°C	
Humidity	0 - 80% RH, Non-Condensing	
<b>Physical Properties</b>		
Housing	Metal	
Weight	0.46 kg ( 1.01 lb )	0.44 kg ( 0.97 lb )
Dimensions (L x W x H) with bracket	14.04 x 12.30 x 3.00 cm	14.04 x 12.30 x 3.00 cm
Dimensions (L x W x H) without bracket	13.60 x 10.10 x 2.90 cm	13.60 x 10.10 x 2.90 cm

### ATEN International Co., Ltd.

3F., No.125, Sec. 2, Datung Rd., Sijhih District., New Taipei City 221, Taiwan  
Phone: 886-2-8692-6789 Fax: 886-2-8692-6767  
www.aten.com E-mail: marketing@aten.com

Product information is subject to change without prior notice.

Released: 01/2023 V5.0

© Copyright 2023 ATEN® International Co. Ltd.  
ATEN and the ATEN logo are registered trademarks of ATEN International Co., Ltd.  
All rights reserved. All other trademarks are the property of their respective owners.  
The terms HDMI, HDMI High-Definition Multimedia Interface, and the HDMI Logo are trademarks or registered trademarks of HDMI Licensing Administrator, Inc.

