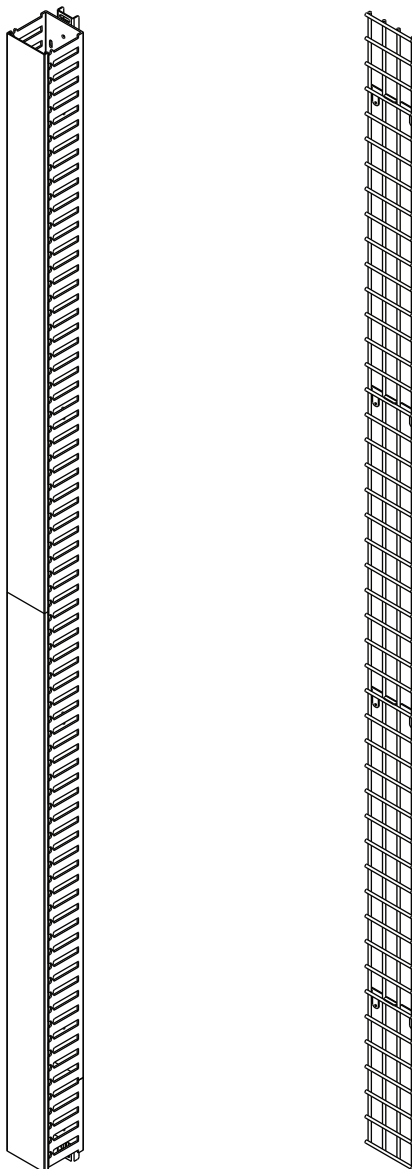


INSTRUCTION SHEET

FORWARD SERIES

VERTICAL MOUNTING OPTIONS



THANK YOU

Thank you for purchasing a Forward Series Vertical Mounting option by Middle Atlantic. Please read these instructions thoroughly before installing or assembling this product.

PRODUCT FEATURES

- Drop in and secure into Lever Lock™ compatible rackrail brackets.
- Mounting flexibility front to back along multiple rackrail bracket styles.
- Includes all hardware needed for any Middle Atlantic rackrail bracket style.



**MIDDLE
ATLANTIC**

A brand of **legrand**

100-00012

Rev C

TABLE OF CONTENTS

Important Safety Instructions.....	2 - 3
Supplied Components and Hardware.....	4 - 5
Required Tools.....	5
Introduction.....	5
Universal Vertical Power Bracket (UVPB) Installations	
Installing the Universal Vertical Power Bracket Into Lever Lock™ Compatible Rackrail Brackets.....	6
Installing the Universal Vertical Power Bracket Into Rackrail Brackets.....	7
Vertical Lacer Bar Installations (UMV) Installation	
Installing the Vertical Lacer Bar Into Lever Lock Compatible Rackrail Brackets.....	8
Installing the Vertical Lacer Bar Into Rackrail Brackets	9
Installing the Vertical Lacer Bar Into Unistrut Channels.....	10
Vertical Plastic Cable Duct Installations	
Installing the Vertical Plastic Cable Duct Into Lever Lock Compatible Rackrail Brackets.....	11
Installing the Vertical Plastic Cable Duct Into Rackrail Brackets	12
Installing Hinge Clip and Cover	13
Wire Mesh Lacer Bar (WB3) Installations	
Installing the Wire Mesh Lacer Bar Into Lever Lock Compatible Rackrail Brackets.....	14
Installing the Wire Mesh Lacer Bar Into Rackrail Brackets	15
Installing the Wire Mesh Lacer Bar Into Unistrut Channels.....	16
Warranty.....	17

IMPORTANT SAFETY INSTRUCTIONS - EN

- Read these instructions.
- Heed all warnings.
- Clean only with dry cloth.
- Keep these instructions.
- Follow all instructions.
- Only use attachments/accessories specified by the manufacturer.



DANGER HAZARDOUS VOLTAGE: The lightning flash with the arrowhead symbol, within an equilateral triangle is intended to alert the user to the presence of uninsulated dangerous voltage within the product's enclosure that may be of sufficient magnitude to constitute a risk of electric shock to persons.



WARNING: A warning alerts you to a situation that could result in serious personal injury or death.



CAUTION: A caution alerts you to a situation that may result in minor personal injury or damage to the product and/or property.

NOTE: A note is used to highlight procedures pertaining to the installation, operation, or maintenance of the product.



WARNING: Middle Atlantic, electrical systems conform to and should be properly grounded in compliance with requirements of the current National Electrical Code or codes administered by local authorities. All electrical products may present a possible shock or fire hazard if improperly installed or used. Electrical products may bear the mark of a Nationally Recognized Testing Laboratory (NRTL) and should be installed in conformance with current local and/or the National Electrical Code.



WARNING: Failure to read, understand and follow the following information can result in serious personal injury, damage to the equipment or voiding of the warranty. It is the responsibility of the Installer/User to ensure that this product is loaded according to specifications.



CAUTION: If there is visible damage on the product, it must not be installed.



CAUTION: Safety measures must be practiced at all times during the assembly of this product. Use proper safety equipment and tools for the assembly procedure to prevent personal injury.



CAUTION: Note that during construction, there must be no possibility of personal injury, for example the squeezing of fingers or arms.

INSTRUCCIONES DE SEGURIDAD IMPORTANTES - ES

- Lea estas instrucciones.
- Preste atención a todas las advertencias.
- Limpie solamente con un paño seco.
- Guarda estas instrucciones.
- Siga todas las instrucciones
- Utilice únicamente accesorios especificados por el fabricante.



PELIGRO PELIGROSO VOLTAJE: El relámpago con el símbolo de la punta de flecha, dentro de un triángulo equilátero está destinado a alertar al usuario de la presencia de tensión peligrosa no aislada dentro del recinto del producto que puede ser de magnitud suficiente para constituir un riesgo de descarga eléctrica para las personas.



ADVERTENCIA: Una advertencia le avisa de una situación que podría resultar en lesiones personales graves o la muerte.



PRECAUCIÓN: Una precaución le avisa de una situación que puede resultar en lesiones personales menores o daños al producto y/o propiedad.

NOTA: Se utiliza una nota para resaltar los procedimientos relacionados con la instalación, operación o mantenimiento del producto.



ADVERTENCIA: No leer, entender y seguir la siguiente información puede resultar en lesiones personales graves, daños al equipo o anulación de la garantía. Es responsabilidad del instalador/usuario asegurarse de que este producto se carga según las especificaciones.



ADVERTENCIA: Middle Atlantic, los sistemas eléctricos se ajustan a y deben estar correctamente conectados a tierra en cumplimiento con los requisitos del actual Código Eléctrico Nacional o códigos administrados por las autoridades locales. Todos los productos eléctricos pueden presentar un posible riesgo de choque o incendio si se instalan o utilizan incorrectamente. Los productos eléctricos pueden llevar la marca de un Laboratorio de Pruebas Reconocido a Nivel Nacional (NRTL) y deben instalarse de conformidad con la corriente local y/ o el Código Eléctrico Nacional.



PRECAUCIÓN: Si hay daños visibles en el producto, no debe ser instalado.



PRECAUCIÓN: Se deben implementar medidas de seguridad en todo momento durante el montaje de este producto. Utilizar equipos y herramientas de seguridad adecuados para los procedimientos de para evitar lesiones.



PRECAUCIÓN: Tenga en cuenta que durante la construcción no debe haber riesgo de lesiones, como por ejemplo aplastar los dedos o los brazos.

INSTRUCTIONS IMPORTANTES SUR LA SÉCURITÉ - FR

- Lire ces instructions.
- Respectez tous les avertissements.
- Nettoyer uniquement avec un chiffon sec.
- Conservez ces instructions.
- Suivez toutes les instructions.
- N'utilisez que des accessoires spécifiés par le fabricant.



DANGER TENSION DANGEREUSE: Le symbole de la pointe de flèche, dans un triangle équilatéral, est destiné à alerter l'utilisateur sur la présence de tension dangereuse non isolée dans l'enceinte du produit qui peut être d'une ampleur suffisante pour constituer un risque d'électrocution.



AVERTISSEMENT: Un avertissement vous avertit d'une situation pouvant entraîner des blessures graves ou la mort.



ATTENTION: Une attention vous avertit d'une situation pouvant entraîner des blessures mineures ou des dommages au produit et/ou à la propriété.

REMARQUE: Une remarque est utilisée pour mettre en évidence les procédures relatives à l'installation, au fonctionnement ou à l'entretien du produit.



AVERTISSEMENT: Les produits Middle Atlantic, les systèmes électriques sont conformes et doivent être correctement mis à la terre conformément aux exigences du Code national de l'électricité en vigueur ou aux codes administrés par les autorités locales. Tous les produits électriques peuvent présenter un risque d'électrocution ou d'incendie s'ils sont mal installés ou utilisés. Les produits électriques peuvent porter la marque d'un laboratoire d'essais reconnu au niveau national (NRTL) et doivent être installés conformément au code électrique local et/ou national en vigueur.



AVERTISSEMENT: Refus de lire, comprendre et suivre la renseignements suivants peut traduire par de graves blessures, des dommages à l'équipement ou invalider la garantie. Il est la responsabilité de l'installateur / utilisateur de s'assurer que ce produit est chargé conformément aux spécifications.



ATTENTION: S'il ya des dommages visibles sur le produit, il ne doit pas être installé.



ATTENTION: Des mesures de sécurité doivent être mises en œuvre en tout temps lors de l'assemblage de ce produit. Utiliser un équipement et des outils de sécurité appropriés pour la procédures de afin d'éviter les blessures.

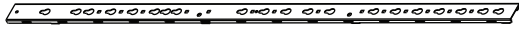


ATTENTION: Notez que pendant la construction, il ne doit pas y avoir de risque de blessure, comme par exemple le écraser des doigts ou des bras.

SUPPLIED COMPONENTS AND HARDWARE

NOTE: This instruction sheet covers similar lacer bar options. Each option is sold separately; therefore, components are provided based on the specific items you purchased.

UNIVERSAL VERTICAL POWER BRACKET (MODEL NO. FWD-UVPB-XX-XX)



Universal Vertical Power Bracket

A



(4x)
1/4-20 x 1"

Flathead Phillips Screw

(For Lever Lock™ Compatible Rackrail Bracket and Rackrail Bracket Installation)

B



(4x)
Rackrail Nut
(For Rackrail Bracket Installation)

C

VERTICAL LACER BAR WITH UNIVERSAL HOLE PATTERN (MODEL NO. FWD-LACE-UMV-XX-XX)



Vertical Lacer Bar

D



(2x)
8-32 x 3/4"

Flathead Phillips Screw
(For Lever Lock Compatible
Rackrail Bracket Installation)

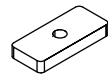
E



(4x)
10-32 x 1"

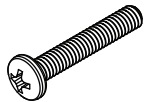
Panhead Phillips Screw
(For Rackrail Bracket
Installation)

F



(4x)
Rackrail Nut
(For Rackrail Bracket Installation)

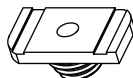
G



(3x)
10-32 x 1 3/4"

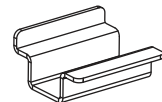
Panhead Phillips Screw
(For Unistrut Channel Installation)

H



(3x)
Spring Nut
(For Unistrut Channel Installation)

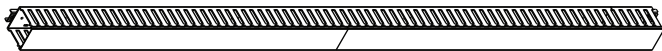
J



(3x)
Offset Bracket
(For Unistrut Channel Installation)

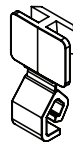
K

VERTICAL PLASTIC CABLE DUCT (MODEL NO. FWD-VPCD-XX-44-45)



Vertical Plastic Cable
Duct

L



(6x)
Hinges

M



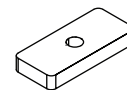
(2x)
8-32 x 3/4"
Flathead Phillips Screw
(For Lever Lock Compatible
Rackrail Bracket Installation)

N



(4x)
10-32 x 1"
Panhead Phillips Screw
(For Rackrail Bracket Installation)

P

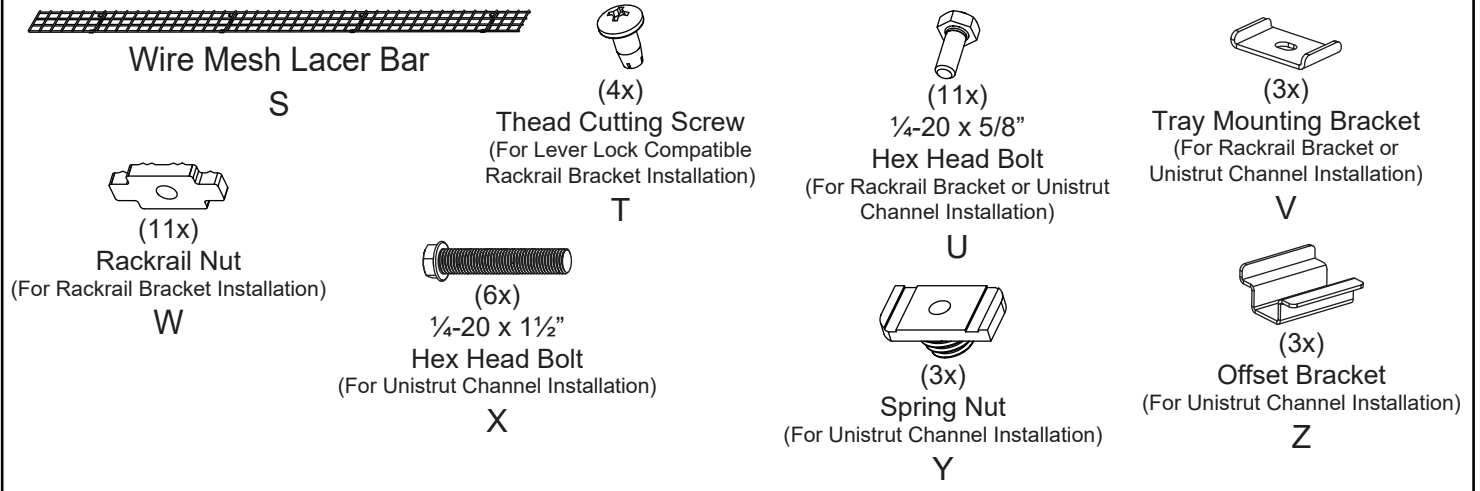


(4x)
Rackrail Nut
(For Rackrail Bracket Installation)

R

SUPPLIED COMPONENTS AND HARDWARE (CONTINUED)

WIRE MESH LACER BAR (MODEL NO. FWD-LACE-WB3-XX-XX)



REQUIRED TOOLS

- #2 Phillips Screwdriver
- 7/16" Wrench
- 3/8" Wrench



WARNING: Use tools with caution and follow all necessary safety protocols.

AVERTISSEMENT: Utiliser des outils avec prudence et suivre tous les protocoles de sécurité nécessaires.

INTRODUCTION

NOTE: Depending on your enclosure, the specific Vertical Mounting option you purchased may be installed on a Lever Lock™ compatible rackrail bracket, a rackrail bracket, or a unistrut channel.

The following sections cover specific installation topics available for each product.

Universal Vertical Power Bracket (UVPB) Installations

INSTALLING UVPB INTO LEVER LOCK™ COMPATIBLE RACKRAIL BRACKETS

NOTE:

- BGR installation shown. The procedure is typical for other compatible enclosures.
- Exact mounting position may vary based on your specific power and cabling installation.

Isolated Lever Lock compatible rackrail bracket with slots and fixed holes left black for clarity. (FIGURE A)

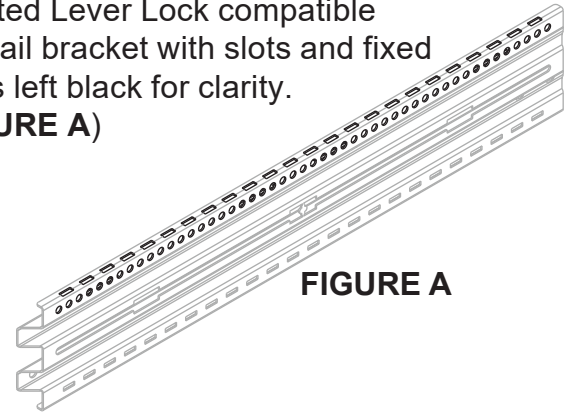
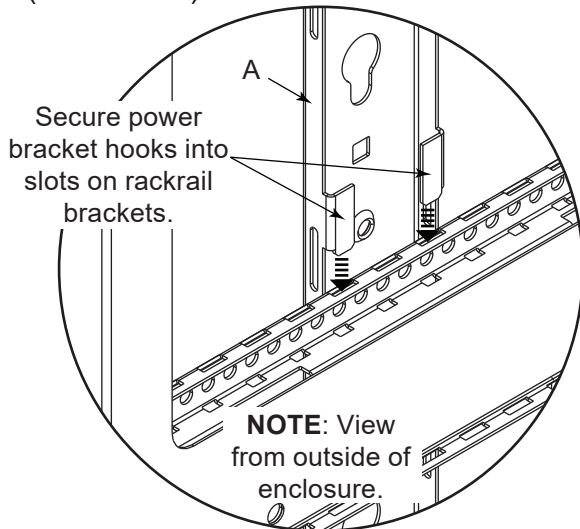


FIGURE A

1. Insert the hooks on your universal vertical power bracket (A) into the slots on the Lever Lock compatible rackrail brackets on one side of your enclosure's interior as shown. (FIGURE B)



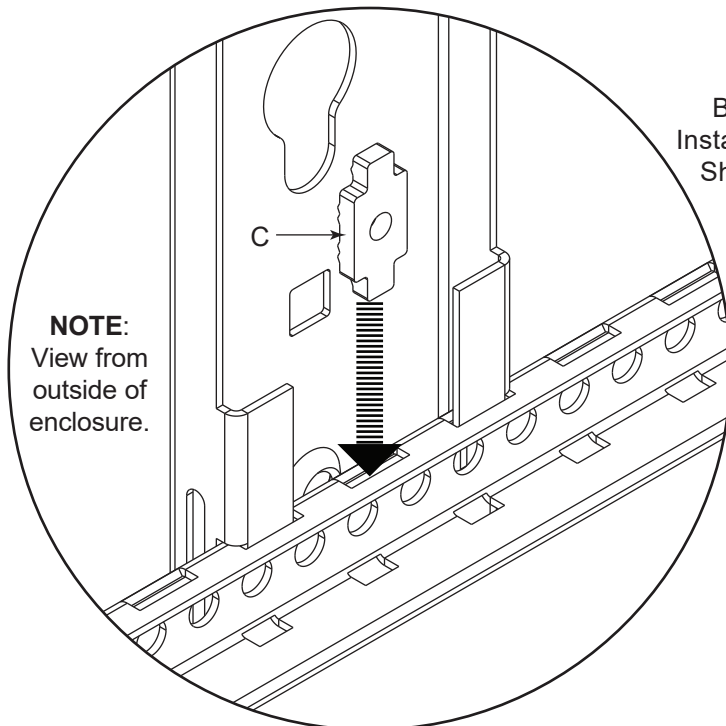
NOTE: View from outside of enclosure.

FIGURE B

2. Drop a rackrail nut (C) into the slot between the ones used for the hooks on your universal vertical power bracket (A). (FIGURE C)

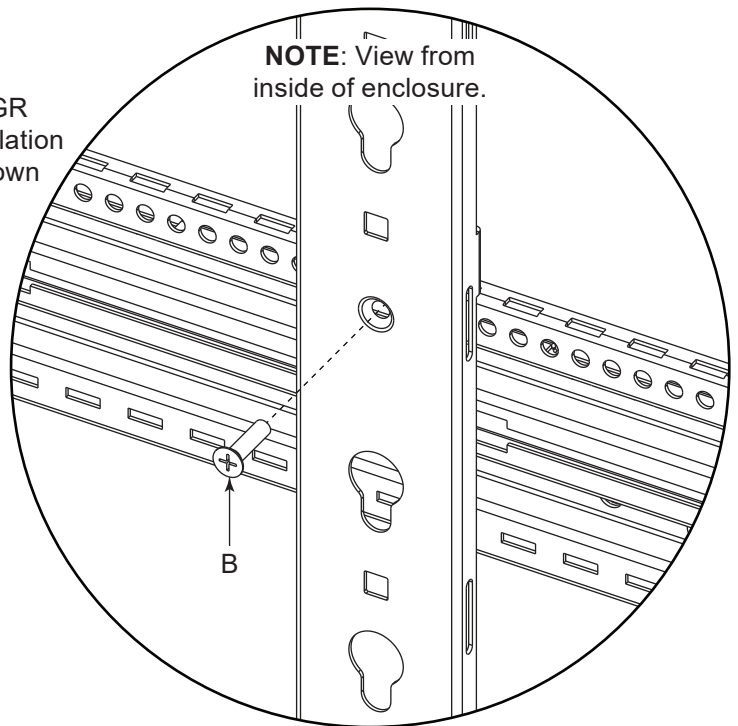
3. Use a Phillips screwdriver and (2x) ¼-20 x 1" flathead Phillips screws (B) through mounting holes on the power bracket, fixed holes on the rackrail bracket and into the rackrail nut (C) to secure it properly. (FIGURE D)

TIP: Work from the top rackrail bracket down.



NOTE: View from outside of enclosure.

FIGURE C



NOTE: View from inside of enclosure.

FIGURE D

INSTALLING UVPB INTO RACKRAIL BRACKETS

NOTE:

- ERK installation shown. The procedure is typical for other compatible enclosures.
- Exact mounting position may vary based on your specific power and cabling installation.
- Ensure any hooks on the back of your power bracket (A) remain clear of your rackrail brackets for a flush fit.

Isolated rackrail bracket with slot openings left black for clarity. (FIGURE E)

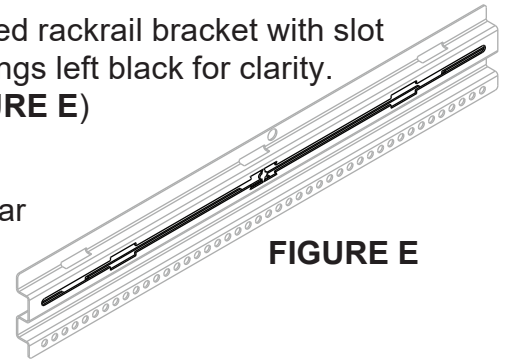


FIGURE E

1. Put a 1/4-20 x 1" flathead Phillips screw (B) through the top mounting hole location on your power bracket (A) and thread the screw (approximately 2 - 3 full turns) into a rackrail nut (C) as shown. (FIGURE F)
2. Insert the rackrail nut (partially assembled to the power bracket via the Phillips screw from the previous step) through a nearby slot opening in your desired location along the top rackrail bracket on one side of your enclosure's interior. (FIGURE G)

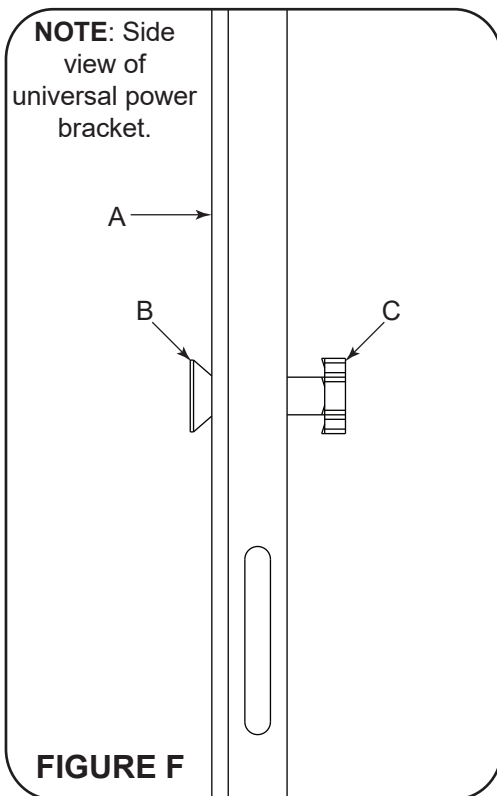


FIGURE F

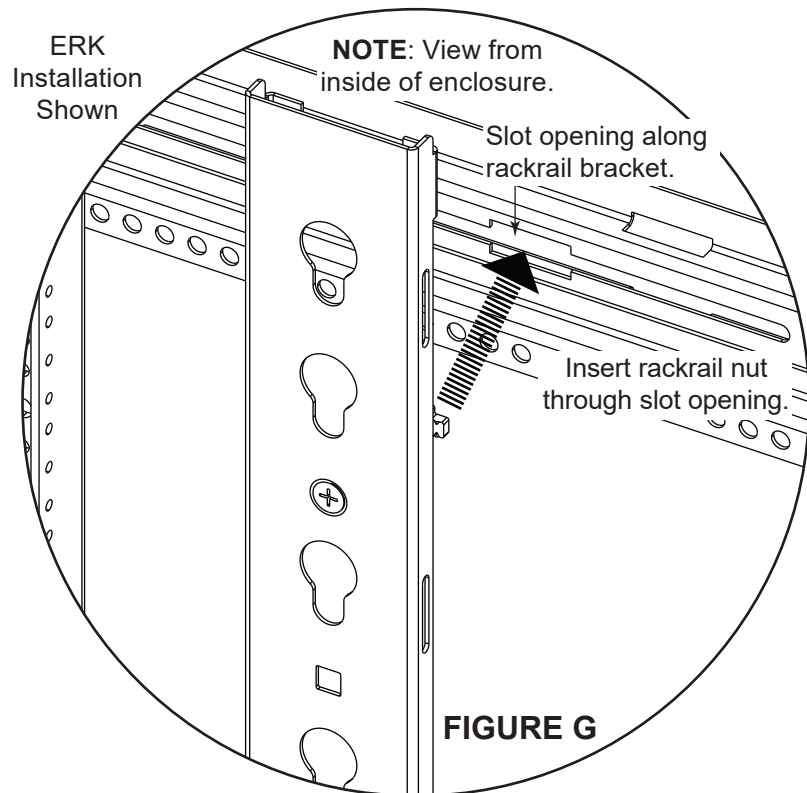


FIGURE G

3. Repeat the previous steps to match the hardware amounts (Phillips screws and rackrail nuts) to the amount of rackrail brackets in your enclosure.

TIP: Work from the top rackrail bracket down.

4. Use a #2 Phillips screwdriver to tighten all screws.

Vertical Lacer Bar With Universal Hole Pattern (UMV) Installations

INSTALLING UMV INTO LEVER LOCK COMPATIBLE RACKRAIL BRACKETS

NOTE:

- BGR installation shown. The procedure is typical for other compatible enclosures.
- Exact mounting position may vary based on your specific power and cabling installation.

1. Insert the hooks on your vertical lacer bar (D) into the slots on the Lever Lock compatible rackrail brackets on one side of your enclosure's interior as shown. (FIGURE J)

NOTE: In 35 RU DWR and 40 RU SR enclosures, attach only 2 hooks (top and bottom, the middle hook is not used) to the rackrail brackets.

2. Use a Phillips screwdriver and (2x) 8-32 x $\frac{3}{4}$ " flathead Phillips screws (E) through mounting holes on the vertical lacer bar and into the fixed holes on the rackrail bracket to secure it properly. (FIGURE K)

Isolated Lever Lock compatible rackrail bracket with slots and fixed holes left black for clarity. (FIGURE H)

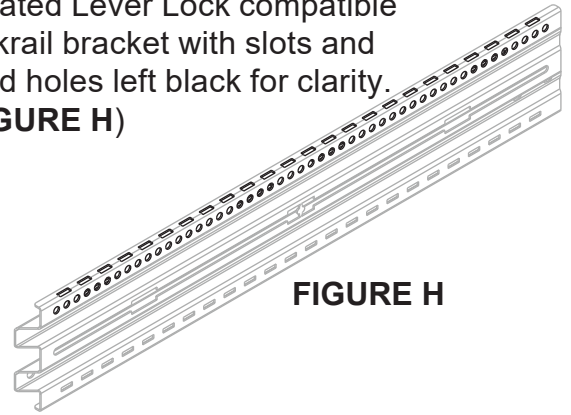


FIGURE H

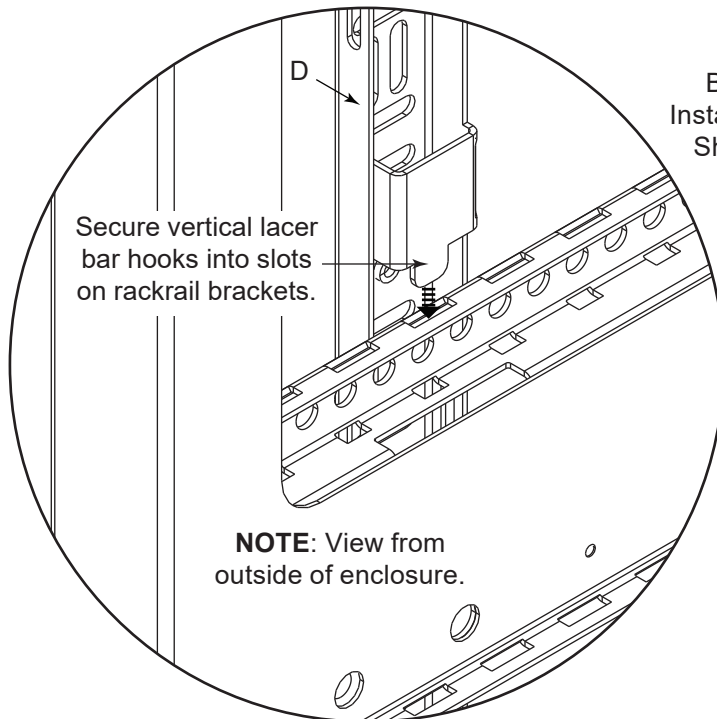


FIGURE J

BGR
Installation
Shown

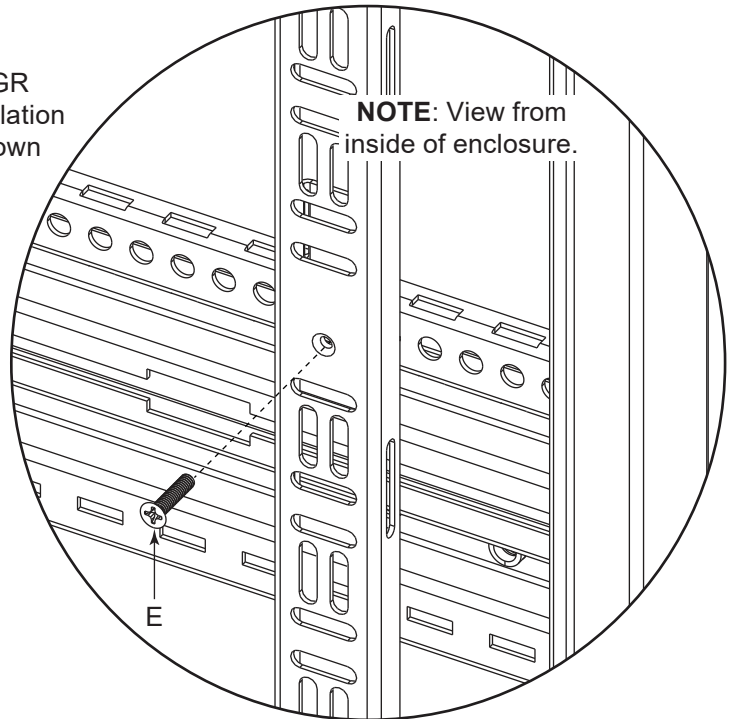


FIGURE K

INSTALLING UMV INTO RACKRAIL BRACKETS

NOTE:

- ERK installation shown. The procedure is typical for other compatible enclosures.
- Exact mounting position may vary based on your specific power and cabling installation.
- Ensure any hooks on the back of your vertical lacer bar (D) remain clear of your rackrail brackets for a flush fit.

Isolated rackrail bracket with slot openings left black for clarity.

(FIGURE L)

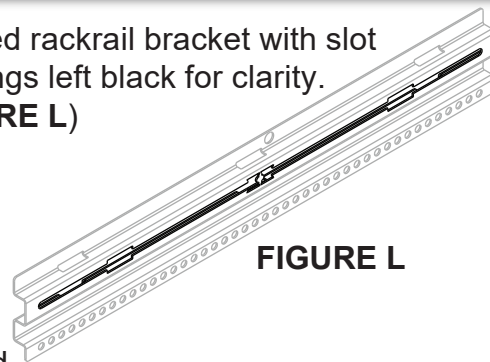
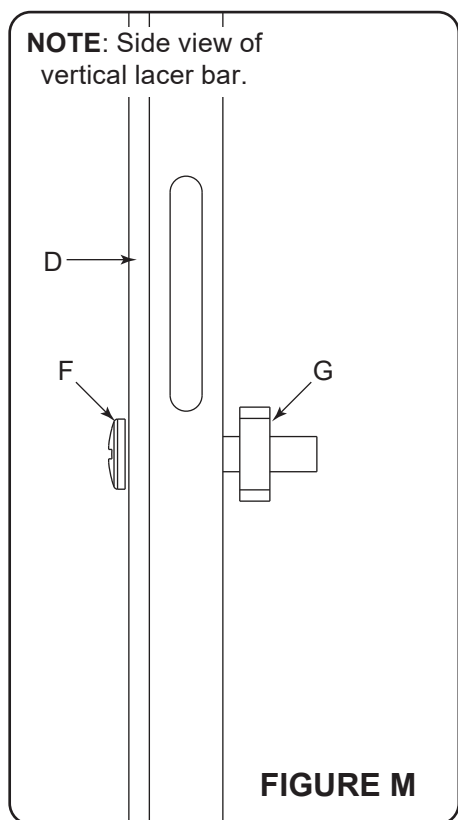


FIGURE L

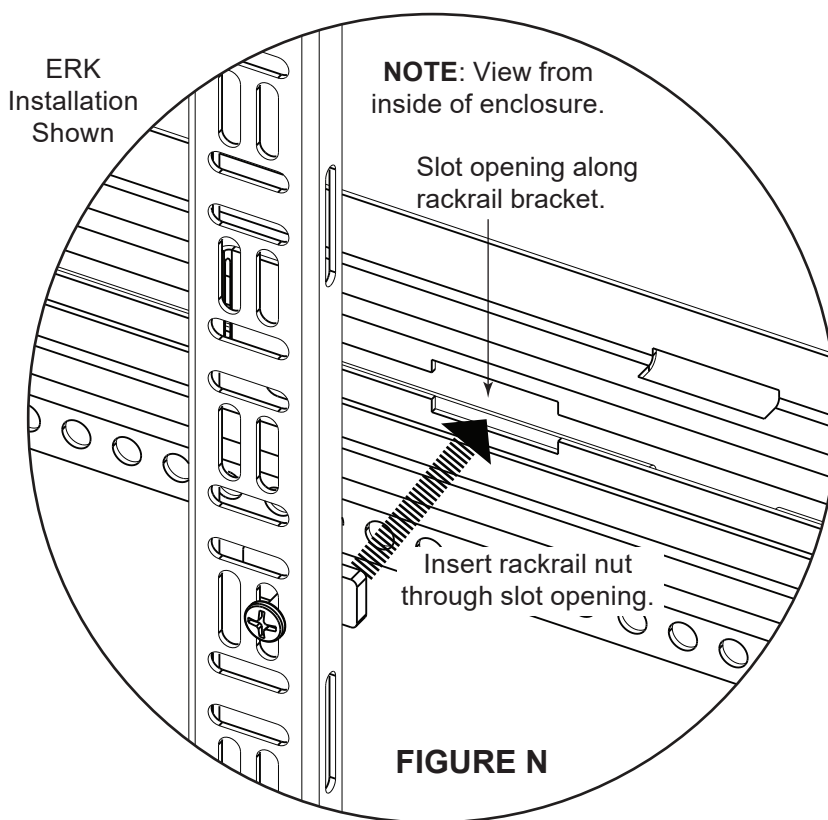
1. Line up your vertical lacer bar (D) against the rackrail bracket slot openings inside of your enclosure to determine which obround holes on the vertical lacer bar will be used for your hardware (10-32 x 1" panhead Phillips screws and rackrail nuts).
2. Put a 10-32 x 1" panhead Phillips screw (F) through the top obround hole location (determined from the previous step) on your lacer bar (D) and thread the screw (approximately 2 - 3 full turns) into a rackrail nut (G) as shown. (FIGURE M)
3. Insert the rackrail nut (partially assembled to the lacer bar via the Phillips screw from the previous step) through a nearby slot opening in your desired location along the top rackrail bracket on one side of your enclosure's interior. (FIGURE N)

NOTE: Hand-tighten the screw at this point to allow for adjustments.



NOTE: Side view of vertical lacer bar.

FIGURE M



NOTE: View from inside of enclosure.

Slot opening along rackrail bracket.

Insert rackrail nut through slot opening.

FIGURE N

4. Repeat the previous steps to match the hardware amounts (Phillips screws and rackrail nuts) to the amount of rackrail brackets in your enclosure.

TIP: Work from the top rackrail bracket down.

5. Use a #2 Phillips screwdriver to tighten all screws.

INSTALLING UMV INTO UNISTRUT CHANNELS

NOTE:

- Only SNE enclosures have unistrut channels.
- Exact mounting position may vary based on your specific power and cabling installation.
- Ensure any hooks on the back of your vertical lacer bar (D) remain clear of your rackrail brackets for a flush fit.

Isolated SNE unistrut channel for clarity. (FIGURE P)

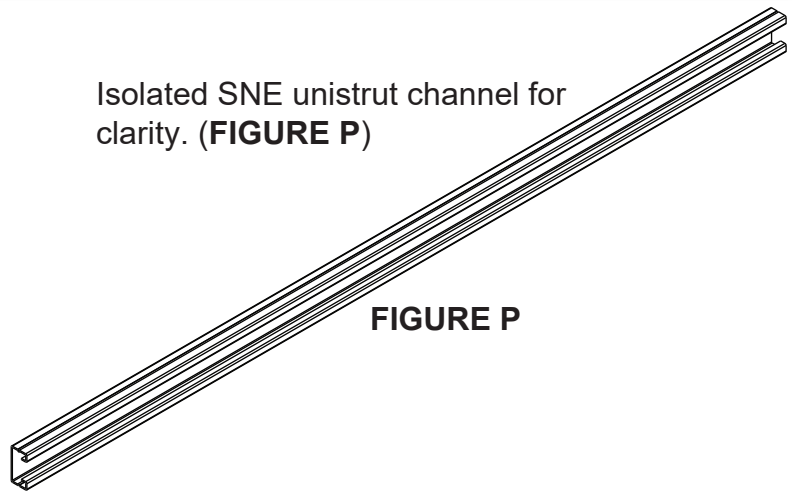


FIGURE P

1. Slide a spring nut (J) into the top unistrut channel on one side of your enclosure's interior as shown. (FIGURE R)

2. Use a 10-32 x 1 $\frac{3}{4}$ " panhead Phillips screw (H) through an obround hole in the top location on your vertical lacer bar (D), through an offset bracket (K), and into the spring nut (J).

NOTE: Hand-tighten the screw at this point to allow for adjustments.

3. Repeat the previous steps to match the hardware amounts (panhead Phillips screws, offset brackets, and spring nuts) to the amount of unistrut channels in your enclosure.

TIP: Work from the top unistrut channel down.

4. Use a #2 Phillips screwdriver to tighten all screws.

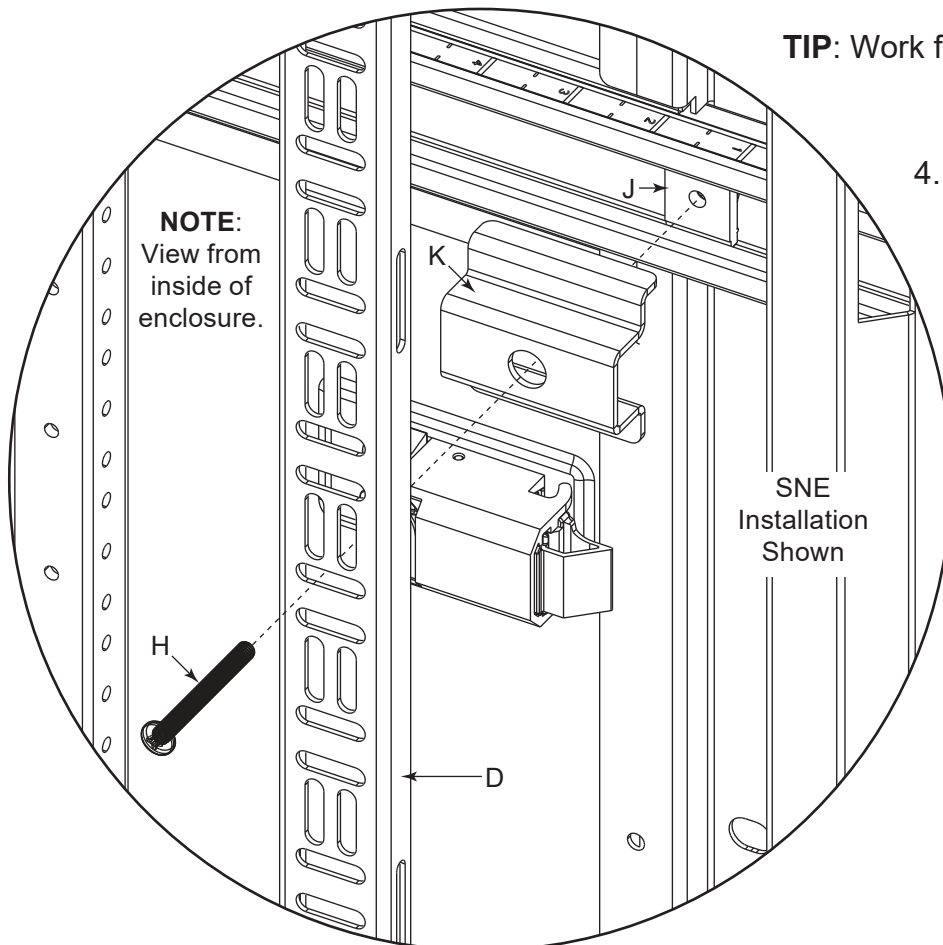


FIGURE R

Vertical Plastic Cable Duct (VPCD) Installations

INSTALLING THE VPCD INTO LEVER LOCK COMPATIBLE RACKRAIL BRACKETS

NOTE:

- BGR installation shown. The procedure is typical for other compatible enclosures.
- Exact mounting position may vary based on your specific power and cabling installation.
- Fixed holes and slots pre-drilled on VPCD for compatibility with all rack series installations.

Isolated Lever Lock compatible rackrail bracket with slots and fixed holes outlined in black for clarity. (FIGURE S)

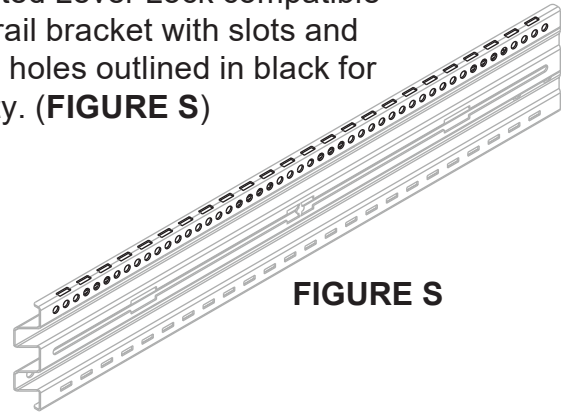


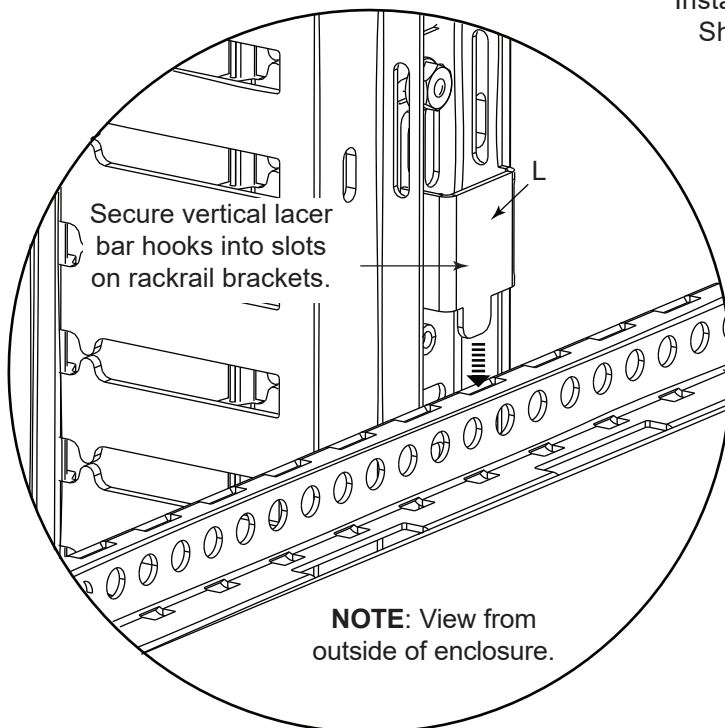
FIGURE S

1. Insert the hooks on your vertical plastic cable duct (L) into the slots on the Lever Lock compatible rackrail brackets on one side of your enclosure's interior as shown. (FIGURE T)

2. Use a Phillips screwdriver and (2x) 8-32 x 3/4" flathead Phillips screws (N) through mounting holes on the vertical plastic cable duct and into the fixed holes on the rackrail bracket to secure it properly. (FIGURE U)

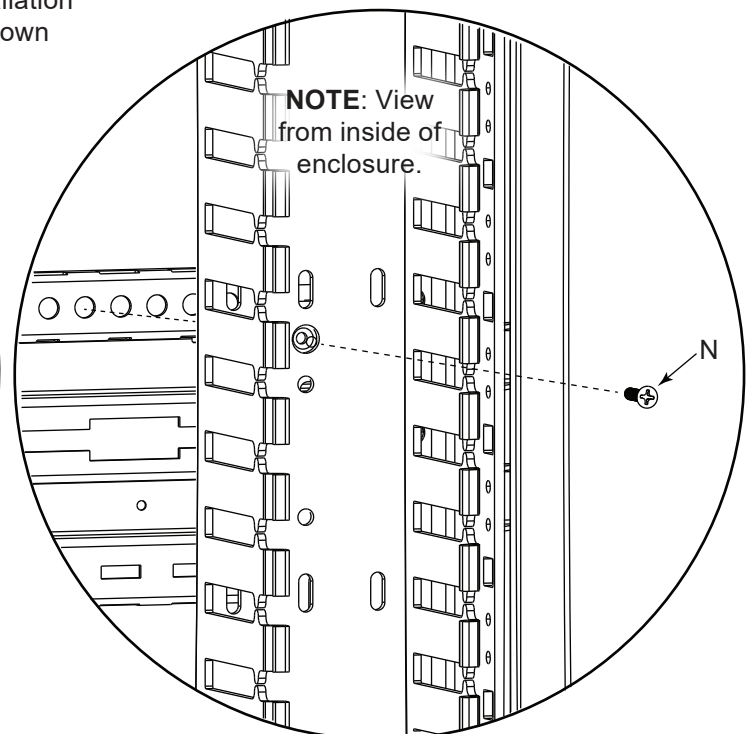
NOTE: If you are installing hinge clips to your VPCD, see "Installing Hinge Clips and Cover" on page 13.

BGR
Installation
Shown



NOTE: View from outside of enclosure.

FIGURE T



NOTE: View from inside of enclosure.

FIGURE U

INSTALLING VPCD INTO RACKRAIL BRACKETS

NOTE:

- MRK installation shown. The procedure is typical for VRK and WRK series.
- Exact mounting position may vary based on your specific power and cabling installation.
- Ensure any hooks on the back of your vertical plastic cable duct (L) remain clear of your rackrail brackets for a flush fit.
- Fixed holes and slots pre-drilled on VPCD for compatibility with all rack series installations mentioned.

Isolated rackrail bracket with slot openings outlined in black for clarity. (FIGURE V)

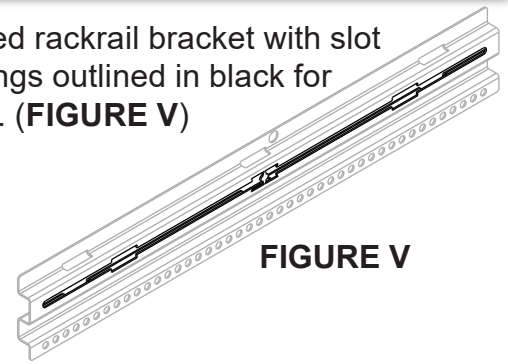


FIGURE V

1. Line up your vertical plastic cable duct (L) against the rackrail bracket slot openings inside of your enclosure to determine which obround holes on the vertical lacer bar will be used for your hardware (10-32 x 1" panhead Phillips screws and rackrail nuts).
2. Put a 10-32 x 1" panhead Phillips screw (P) through the top obround hole location (determined from the previous step) on your vertical plastic cable duct (L) and thread the screw (approximately 2 - 3 full turns) into a rackrail nut (R) as shown. (FIGURE W)
3. Insert the rackrail nut (partially assembled to the vertical plastic cable duct via the Phillips screw from the previous step) through a nearby slot opening in your desired location along the top rackrail bracket on one side of your enclosure's interior. (FIGURE X)

NOTE:

- Hand-tighten the screw at this point to allow for adjustments.
- If you are installing hinge clips to your VPCD, see "Installing Hinge Clips and Cover" on page 13.

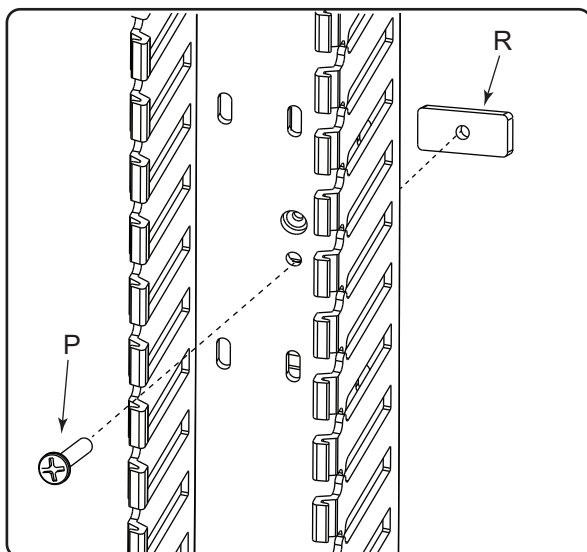


FIGURE W

TIP: Work from the top rackrail bracket down.

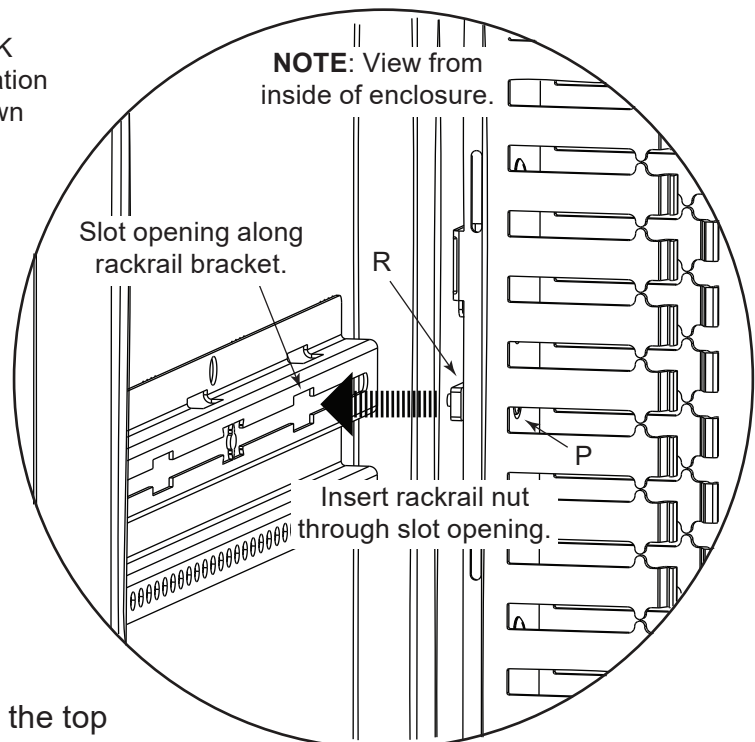


FIGURE X

4. Repeat the previous steps to match the hardware amounts (Phillips screws and rackrail nuts) to the amount of rackrail brackets in your enclosure.
5. Use a #2 Phillips screwdriver to tighten all screws.

INSTALLING HINGE CLIP AND COVER (FOR VPCD ONLY)

NOTE:

- Hinge Clips are compatible with vertical plastic cable ducts only.
- Hinge Clips connect the cover to the duct, allowing the cover to swing open and close for optimum cable management.

1. Slide the 'hook portion' of the hinge clip onto the edge of the cover as shown. **(FIGURE Y)**

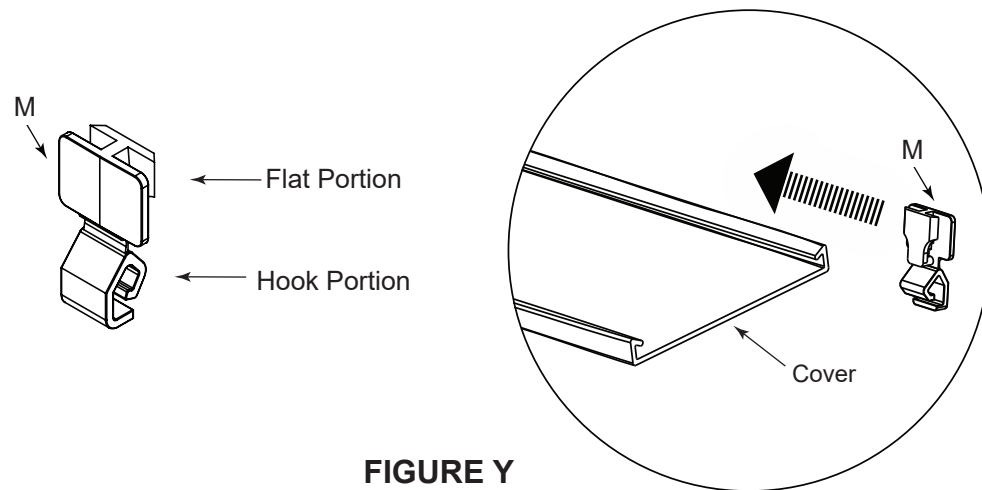
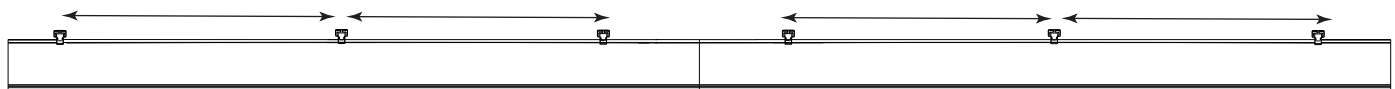


FIGURE Y

TIP: Equally space (3x) hinge clips on each cover piece, while keeping outer hinge clips away from the edges as shown. **(FIGURE Z)**



NOTE: Top view of cover shown.

FIGURE Z

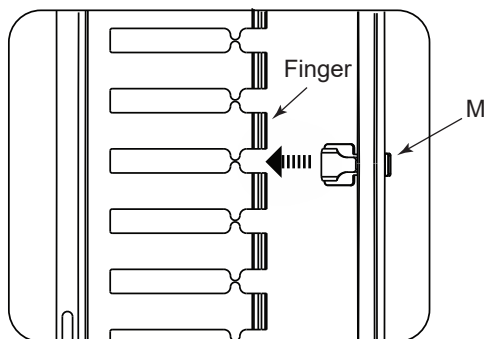
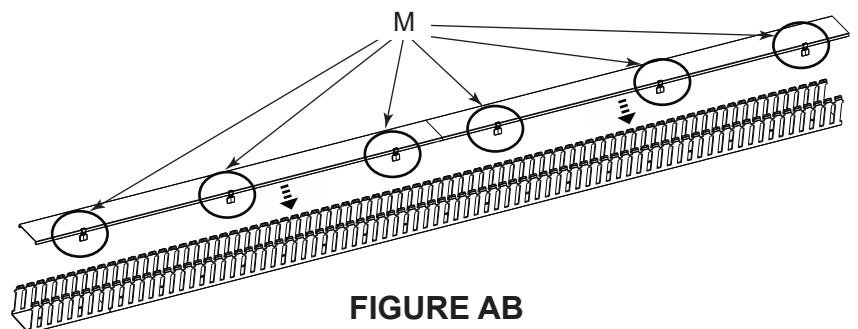


FIGURE AA

2. Align hinge clip in-between two fingers, after the clips are attached to the cover. **(FIGURE AA)**

NOTE: Hinge clips snap into one finger at a time.

3. Attach the cover to the plastic duct as shown. **(FIGURE AB)**



Wire Mesh Lacer Bar (WB3) Installations

INSTALLING WB3 INTO LEVER LOCK COMPATIBLE RACKRAIL BRACKETS

NOTE:

- BGR installation shown. Installation is typical for other compatible enclosures.
- Exact mounting position may vary based on your specific power and cabling installation.

1. Insert the hooks on your wire mesh lacer bar (S) into the slots on the Lever Lock compatible rackrail brackets on one side of your enclosure's interior as shown. **(FIGURE AD)**

NOTE: In 35 RU DWR and 40 RU SR enclosures, attach only 2 hook pairs (top and bottom pairs, the middle hook pair is not used) to the rackrail brackets.

2. Use a Phillips screwdriver and (2x) thread cutting screws (T) to secure the wire mesh lacer bar (S) to the rackrail bracket. **(FIGURE AE)**

NOTE: Only (2x) thread cutting screws need to be used on the top bracket of the wire mesh lacer bar to secure it in place.

TIP: Work from the top rackrail bracket down.

Isolated Lever Lock compatible rackrail bracket with slots and fixed holes left black for clarity. **(FIGURE AC)**

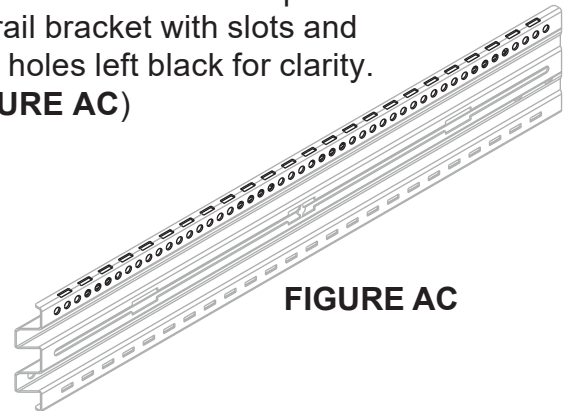


FIGURE AC

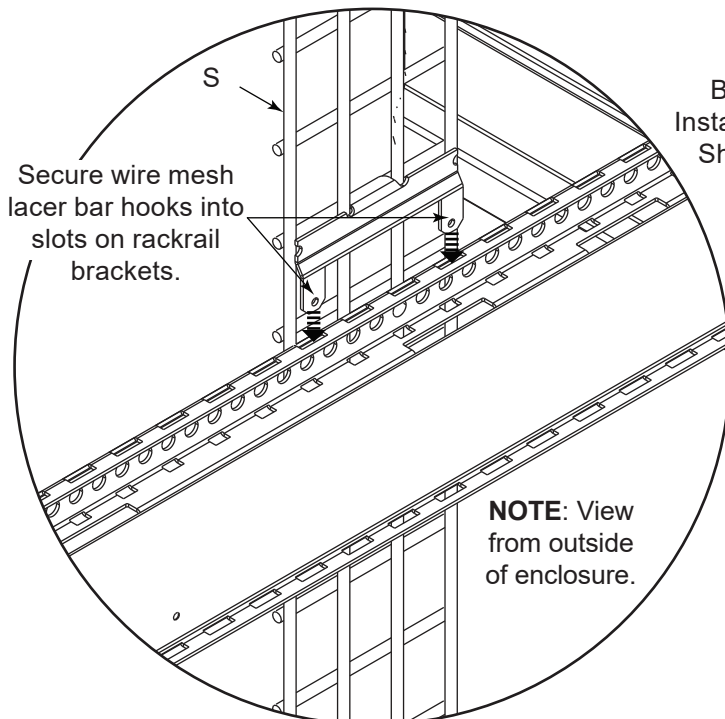


FIGURE AD

BGR Installation Shown

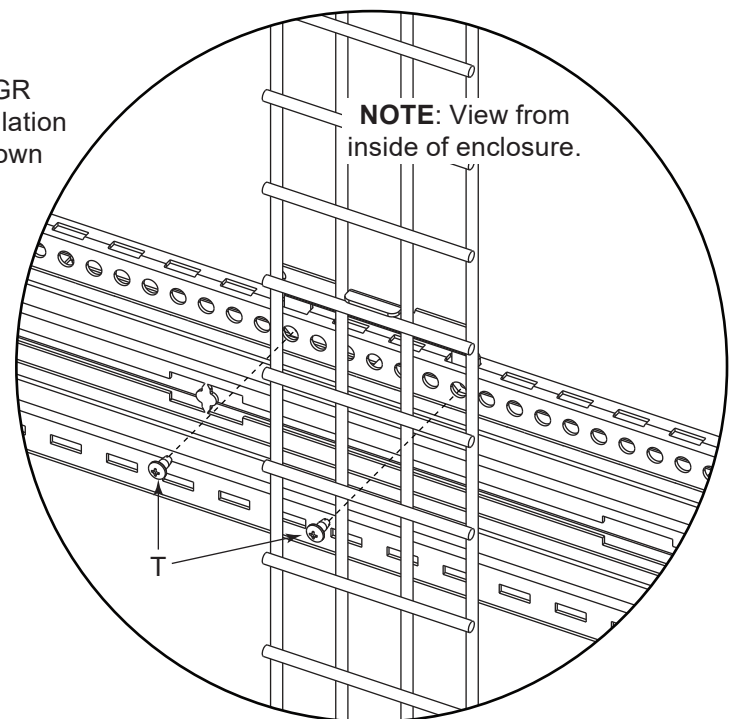


FIGURE AE

INSTALLING WB3 INTO RACKRAIL BRACKETS

NOTE:

- ERK installation shown. Installation is typical for other compatible enclosures.
- Exact mounting position may vary based on your specific power and cabling installation.
- Ensure any hooks on the back of your wire mesh lacer bar (S) remain clear of your rackrail brackets for a flush fit.

Isolated rackrail bracket with slot openings left black for clarity.
(FIGURE AF)

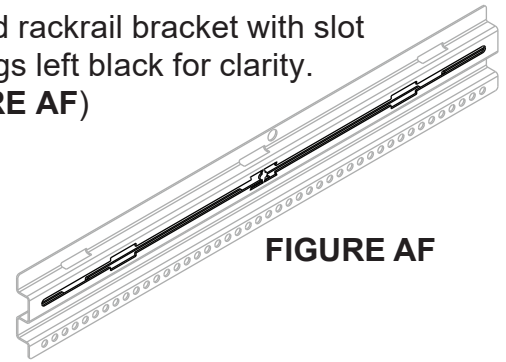
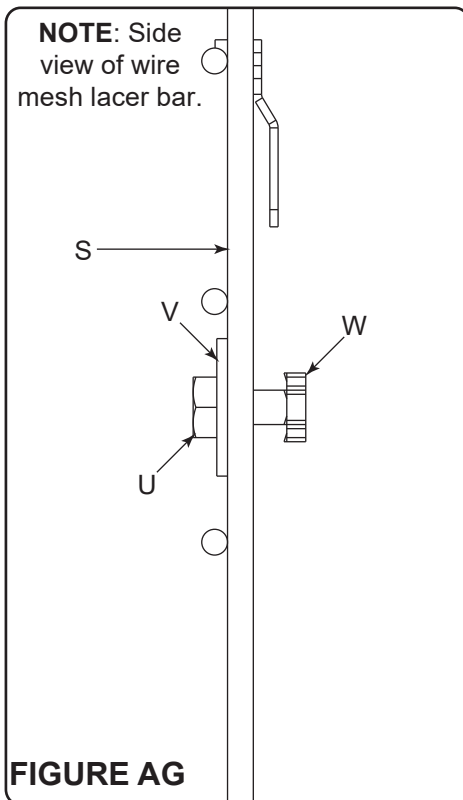


FIGURE AF

1. Line up your wire mesh lacer bar (S) against the rackrail bracket slot openings inside of your enclosure to determine which locations on the lacer bar will be used for your hardware ($\frac{1}{4}$ -20 x $\frac{5}{8}$ " hex head bolts, tray mounting brackets, and rackrail nuts).
2. Put a $\frac{1}{4}$ -20 x $\frac{5}{8}$ " hex head bolt (U) through a tray mounting bracket (V) held against the desired top mounting location (determined from the previous step) on your lacer bar (S) and thread the bolt (approximately 2 - 3 full turns) into a rackrail nut (W) as shown. (FIGURE AG)
3. Insert the rackrail nut (partially assembled to the lacer bar via the tray mounting bracket and hex head bolt from the previous step) through a nearby slot opening in your desired location along the top rackrail bracket on one side of your enclosure's interior. (FIGURE AH)

NOTE: Hand-tighten the bolt at this point to allow for adjustments.



NOTE: Side view of wire mesh lacer bar.

S

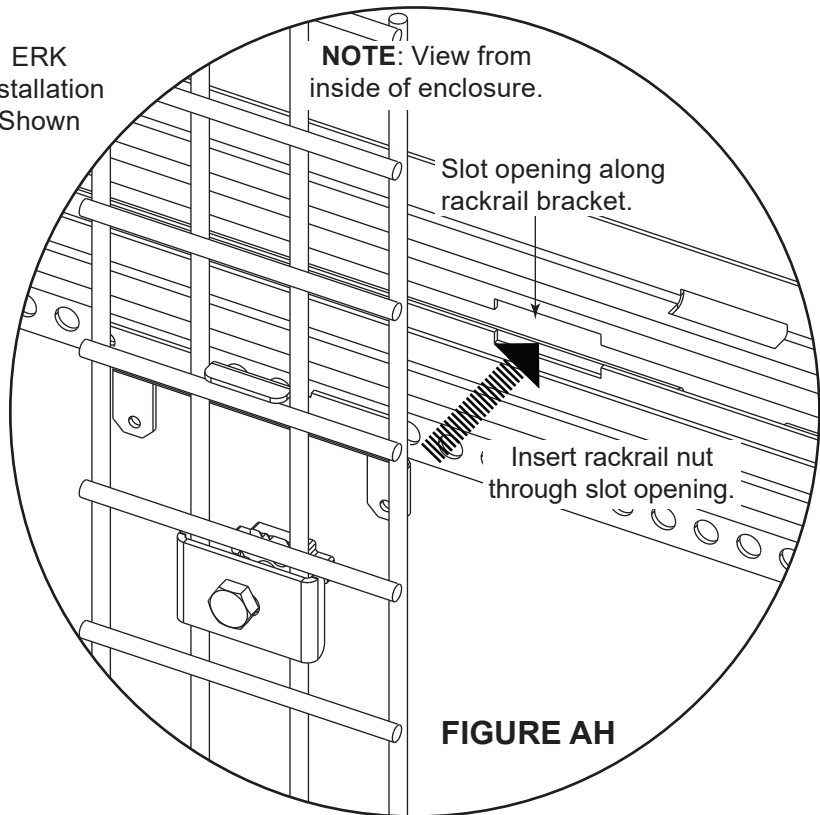
V

U

W

FIGURE AG

ERK Installation Shown



NOTE: View from inside of enclosure.

Slot opening along rackrail bracket.

Insert rackrail nut through slot opening.

FIGURE AH

4. Repeat the previous steps to match the hardware amounts (hex head bolts, tray mounting brackets, and rackrail nuts) to the amount of rackrail brackets in your enclosure.

TIP: Work from the top rackrail bracket down.

5. Use a $\frac{7}{16}$ " wrench to tighten all bolts.

INSTALLING WB3 INTO UNISTRUT CHANNELS

NOTE:

- Only SNE enclosures have unistrut channels.
- Exact mounting position may vary based on your specific power and cabling installation.
- Ensure any hooks on the back of your wire mesh lacer bar (S) remain clear of your rackrail brackets for a flush fit.

1. Slide a spring nut (Y) into the top unistrut channel on one side of your enclosure's interior as shown. (FIGURE AK)

Isolated SNE unistrut channel shown for clarity. (FIGURE AJ)

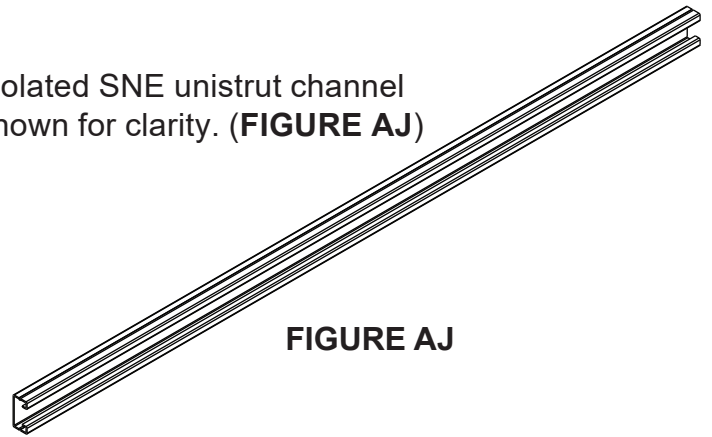
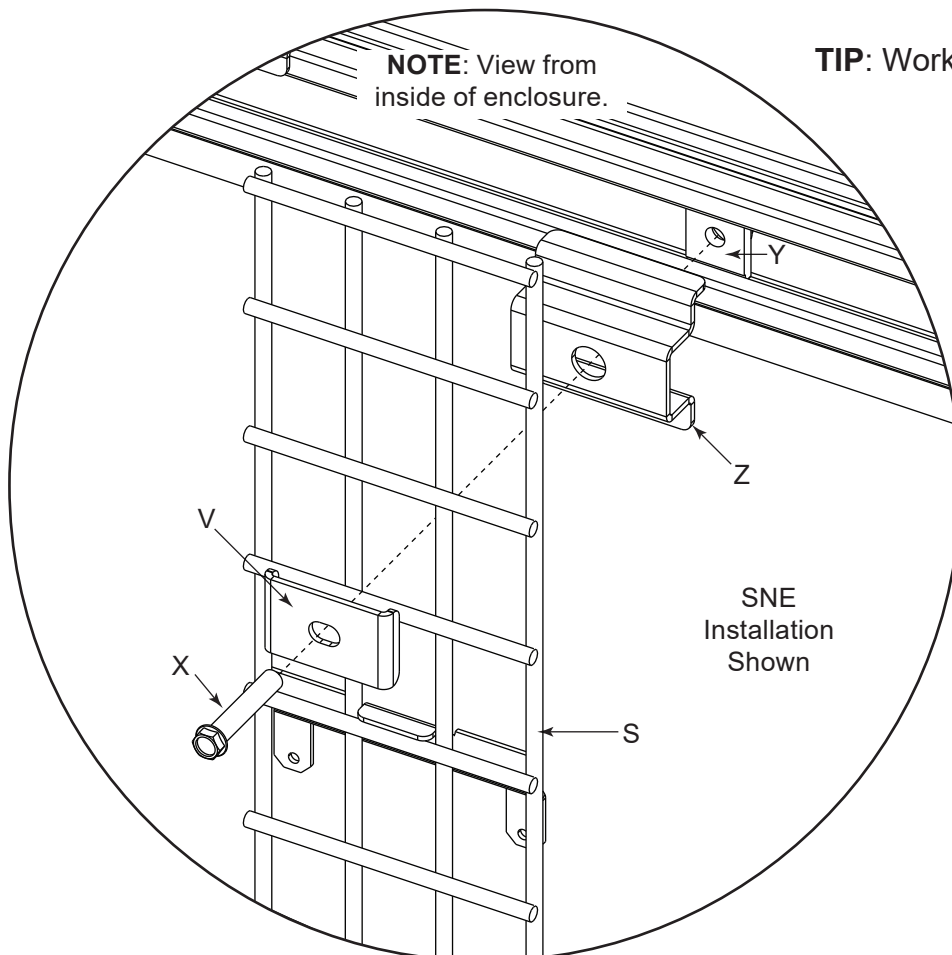


FIGURE AJ

2. Hold an offset bracket (Z) over the location of the spring nut (Y) along the unistrut channel.
3. Use a $\frac{1}{4}$ -20 x $1\frac{1}{2}$ " hex head bolt (X) through a tray mounting bracket (V) held against the desired top mounting location on your lacer bar (S) while putting it through the offset bracket (Z) and into the spring nut (Y).

NOTE: Hand-tighten the bolt at this point to allow for adjustments.

4. Repeat the previous steps to match the hardware amounts (hex head bolts, tray mounting brackets, offset brackets, and spring nuts) to the amount of unistrut channels in your enclosure.



NOTE: View from inside of enclosure.

TIP: Work from the top unistrut channel down.

5. Use a $\frac{3}{8}$ " wrench to tighten all bolts.

FIGURE AK

WARRANTY

For warranty information, refer to www.legrandav.com/policies/warranty_information.

Contacting Corporate Headquarters

P: (866) 977-3901 | F: (877) 894-6918 | www.legrandav.com | av.support@legrand.com

Contacting Middle Atlantic Canada

P: (888) 766-9770 | F: (888) 599-5009 | ca.middleatlantic.com | av.canada.customerservice@legrand.com

Contacting Middle Atlantic Europe, Middle East, and Africa (EMEA) Technical Support

P: +31 495-726-003 | av.emea.middleatlantic.support@legrand.com

United States (US)

Legrand | AV Headquarters
6436 City West Parkway
Eden Prairie, MN, 55344, USA

European Union (EU)

Legrand AV Netherlands
B.V. Franklinstraat 14 6003
DK, Weert, Netherlands

United Kingdom (UK)

Starline Holding Technology Ltd.
(Authorized Representative)
Unit C, Island Rd.
Reading RG2, 0RP- UK

At Legrand AV Inc. we are always listening. Your comments are welcome.

Legrand AV is an ISO 9001 and ISO 14001 Registered Company.

MIDDLE ATLANTIC®

A brand of  legrand®