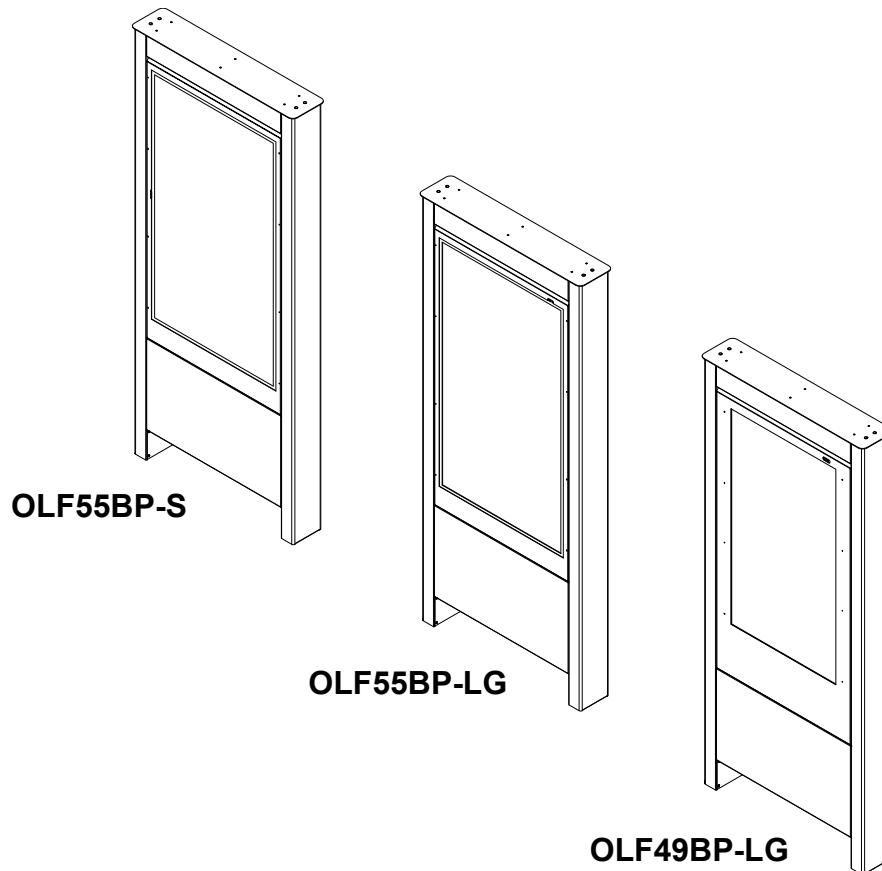

INSTALLATION INSTRUCTIONS



Outdoor Portrait Kiosk

 **CHIEF**[®]

A brand of  **legrand**[®]

OLF49BP-LG/OLF55BP-LG/OLF55BP-S

DISCLAIMER

Legrand | AV and its affiliated corporations and subsidiaries (collectively “Legrand | AV”), intend to make this manual accurate and complete. However, Legrand | AV makes no claim that the information contained herein covers all details, conditions or variations, nor does it provide for every possible contingency in connection with the installation or use of this product. The information contained in this document is subject to change without notice or obligation of any kind. Legrand | AV makes no representation of warranty, expressed or implied, regarding the information contained herein. Legrand | AV assumes no responsibility for accuracy, completeness or sufficiency of the information contained in this document.


Chief® is a registered trademark of Legrand AV Inc.


DEFINITIONS

MOUNTING SYSTEM: A MOUNTING SYSTEM is the primary Chief product to which an accessory and/or component is attached.


ACCESSORY: AN ACCESSORY is the secondary Chief product which is attached to a primary Chief product, and may have a component attached or setting on it.


COMPONENT: A COMPONENT is an audiovisual item designed to be attached or resting on an accessory or mounting system such as a video camera, CPU, screen, display, projector, etc.


 **WARNING:** A WARNING alerts you to the possibility of serious injury or death if you do not follow the instructions.


 **CAUTION:** A CAUTION alerts you to the possibility of damage or destruction of equipment if you do not follow the corresponding instructions.


 **IMPORTANT SAFETY INSTRUCTIONS**


 **WARNING:** Failure to read, thoroughly understand, and follow all instructions can result in serious personal injury, damage to equipment, or voiding of factory warranty! It is the installer’s responsibility to make sure all mounting systems are properly assembled and installed using the instructions provided.


 **WARNING:** Failure to provide adequate structural strength for this mounting system can result in serious personal injury or damage to equipment! It is the installer’s responsibility to make sure the structure to which this mounting system is attached can support five times the combined weight of all equipment. Reinforce the structure as required before installing the mounting system.

 **WARNING:** Exceeding the weight capacity can result in serious personal injury or damage to equipment! It is the installer’s responsibility to make sure the combined weight of all components attached to mounting system does not exceed 150 lbs (68.0 kg).

 **WARNING:** Use this mounting system only for its intended use as described in these instructions. Do not use attachments not recommended by the manufacturer.

 **WARNING:** Never operate this mounting system if it is damaged. Return the mounting system to a service center for examination and repair.

 **WARNING:** The mounting system is designed to be operated within an ambient temperature range of -22° F to 122° F (-30° C to 50° C). Operating the mounting system outside of this temperature range can result in serious personal injury or damage to equipment!

 **WARNING:** Never operate the mounting system with the air openings blocked. Keep the air openings and filters free of lint, hair, dust, and other contaminants.

IMPORTANT ! : The OLF49BP-LG/OLF55BP-LG/OLF55BP-S mounting systems are designed to be mounted to an:

- Structurally sound solid concrete surface with a minimum thickness of 4" (101.6mm) and a minimum PSI of 3000 lbs. for poured concrete. Edge spacing must be at least 5" (minimum).

IMPORTANT ! : The secure storage compartment in the mounting system is IP54 rated for solid particle and liquid ingress protection.

--SAVE THESE INSTRUCTIONS--

CLAUDE DE NON-RESPONSABILITÉ

Legrand | AV ainsi que ses sociétés et ses filiales associées (collectivement, « Legrand | AV »), prétendent fournir un manuel précis et complet. Cependant, Legrand | AV ne garantit aucunement que les informations contenues ci-dessous couvrent tous les détails, les conditions ou les variations; elle n'assure pas non plus les imprévus causés par l'installation ou l'utilisation de ce produit. Les informations contenues dans ce document peuvent être changées sans préavis ou obligation d'aucune sorte. Legrand | AV ne présente aucune garantie, explicite ou implicite, quant aux informations fournies. Legrand | AV n'assume aucune responsabilité quant à l'exactitude, l'exhaustivité ou la suffisance des informations contenues dans ce document.

Chief® est une marque déposée de Legrand | AV. Tous droits réservés.

DÉFINITIONS

SYSTÈME DE MONTAGE : produit principal de Chief auquel un accessoire et/ou composant est fixé.

ACCESSOIRE : produit secondaire de Chief qui se fixe à un produit principal de Chief, et auquel/sur lequel un composant peut être fixé/installé.

COMPOSANT : dispositif audiovisuel conçu pour être fixé ou installé sur un accessoire ou système de montage tel qu'une caméra vidéo, une unité centrale, un moniteur, un projecteur, etc.



AVERTISSEMENT : Un AVERTISSEMENT vous met en garde contre les possibilités de blessures graves ou de danger de mort si vous ne suivez pas les directives.



MISE EN GARDE : Une MISE EN GARDE vous met en garde contre les possibilités d'endommagement ou de destruction de l'équipement si vous ne suivez pas les directives correspondantes.

IMPORTANTES DIRECTIVES DE SÉCURITÉ



AVERTISSEMENT: Le fait de ne pas lire, de ne pas bien comprendre ou de ne pas suivre toutes ces directives peut entraîner des blessures corporelles graves, endommager l'équipement ou annuler la garantie d'usine. Il incombe à l'installateur de s'assurer que tous les composants sont correctement assemblés et installés à l'aide des directives fournies.



AVERTISSEMENT: Ne pas fournir une résistance structurelle appropriée pour ce composant peut entraîner des blessures corporelles graves ou endommager l'équipement. Il incombe à l'installateur de s'assurer que la structure à laquelle ce composant est fixé peut soutenir cinq fois le poids combiné de tout l'équipement. Renforcer la structure selon les besoins avant l'installation du composant.



AVERTISSEMENT: Dépassez la capacité pondérale peut entraîner des blessures corporelles graves ou endommager l'équipement. Il incombe à l'installateur de s'assurer que le poids combiné de tous les composants fixés au système de montage y compris l'écran n'exède pas 13,6 kg (30 lb). Une utilisation avec des équipements plus lourds que le poids indiqué peut entraîner la chute du support et de ses accessoires et causer éventuellement des blessures.



AVERTISSEMENT : N'utilisez pas ce dispositif de montage à d'autres fins que celles décrites dans ces instructions. N'utilisez pas d'accessoires non recommandés par le fabricant.



AVERTISSEMENT : N'utilisez jamais ce dispositif de montage s'il est endommagé. Renvoyez le dispositif de montage à un centre d'entretien pour examen et réparation.



AVERTISSEMENT: Le système de montage est conçu pour être utilisé dans une plage de températures ambiantes allant de -22° F à 122° F (-30° C à 50° C). L'utilisation du système de montage en dehors de cette plage de température peut entraîner des blessures graves ou endommager l'équipement !



AVERTISSEMENT: Ne faites jamais fonctionner le système de montage si les ouvertures d'air sont bloquées. Maintenez les ouvertures d'air et les filtres exempts de peluches, de cheveux, de poussière et d'autres contaminants.

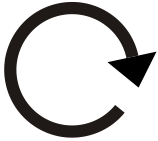

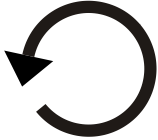









IMPORTANT ! : Les systèmes de montage OLF49BP-LG/OLF55BP-LG/OLF55BP-S sont conçus pour être montés sur une :

- Surface en béton solide et structurellement saine, d'une épaisseur minimale de 4" (101.6mm) ou plus..
- Espacement des bords: 5"
- Le minimum livres pouce carré (PSI): 3000

IMPORTANT ! : Le compartiment de rangement sécurisé dans le système de montage est classé IP54, pour la protection contre la pénétration de particules solides et de liquides.

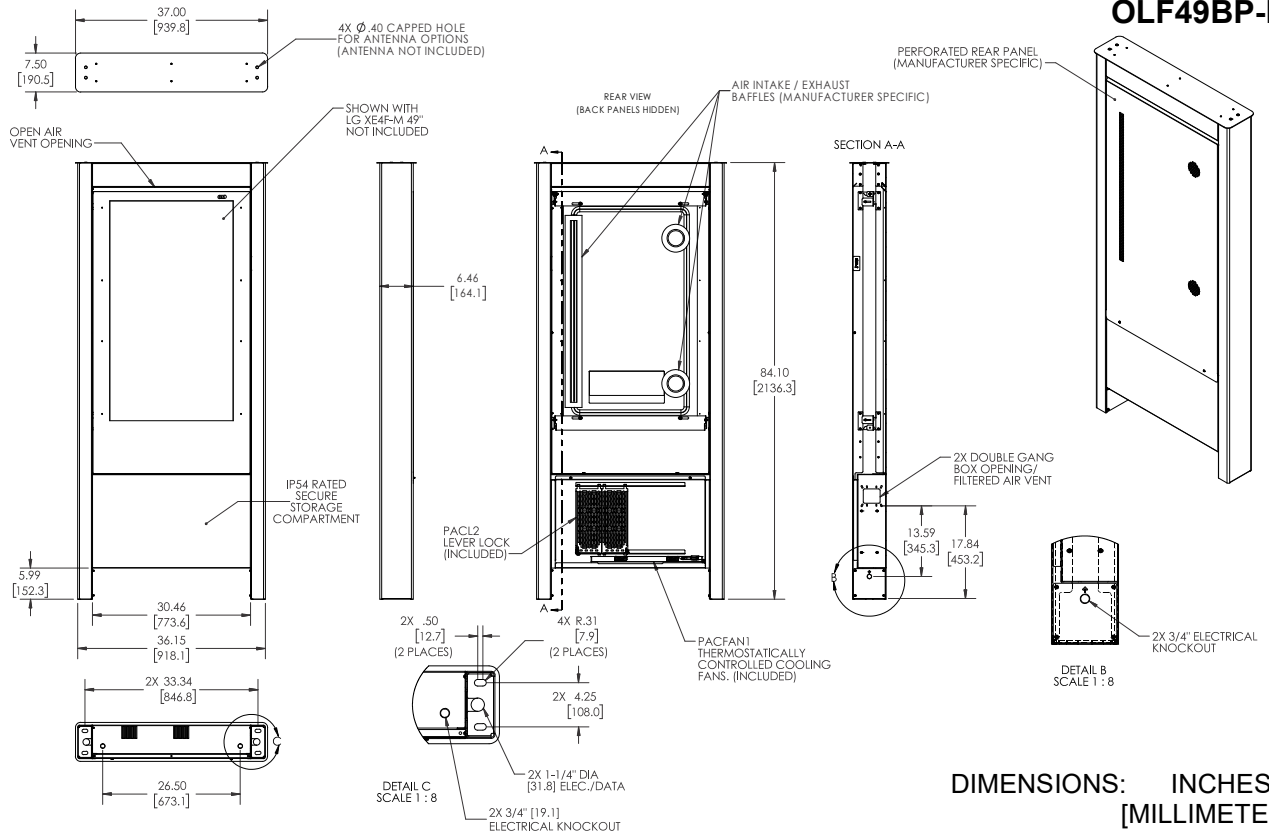
--VEUILLEZ CONSERVER CES DIRECTIVES--

LEGEND

	<p>Tighten Fastener Apretar elemento de fijación Befestigungsteil festziehen Apertar fixador Serrare il fissaggio Bevestiging vastdraaien Serrez les fixations</p>		<p>Pencil Mark Marcar con lápiz Stiftmarkierung Marcar com lápis Segno a matita Potloodmerkteken Marquage au crayon</p>
	<p>Loosen Fastener Aflojar elemento de fijación Befestigungsteil lösen Desapertar fixador Allentare il fissaggio Bevestiging losdraaien Desserrez les fixations</p>		<p>Drill Hole Perforar Bohrloch Fazer furo Praticare un foro Gat boren Percez un trou</p>
	<p>Phillips Screwdriver Destornillador Phillips Kreuzschlitzschraubendreher Chave de fendas Phillips Cacciavite a stella Kruiskopschroevendraaier Tournevis à pointe cruciforme</p>		<p>Adjust Ajustar Einstellen Ajustar Regolare Afstellen Ajuster</p>
	<p>Open-Ended Wrench Llave de boca Gabelschlüssel Chave de bocas Chiave a punte aperte Steeksleutel Clé à fourche</p>		<p>Remove Quitar Entfernen Remover Rimuovere Verwijderen Retirez</p>
	<p>By Hand A mano Von Hand Com a mão A mano Met de hand À la main</p>		<p>Optional Opcional Optional Opcional Opzionale Optie En option</p>
	<p>Hex-Head Wrench Llave de cabeza hexagonal Sechskantschlüssel Chave de cabeça sextavada Chiave esagonale Zeskantsleutel Clé à tête hexagonale</p>		<p>Security Wrench Llave de seguridad Sicherheitsschlüssel Chave de segurança Chiave di sicurezza Veiligheidssleutel Clé de sécurité</p>

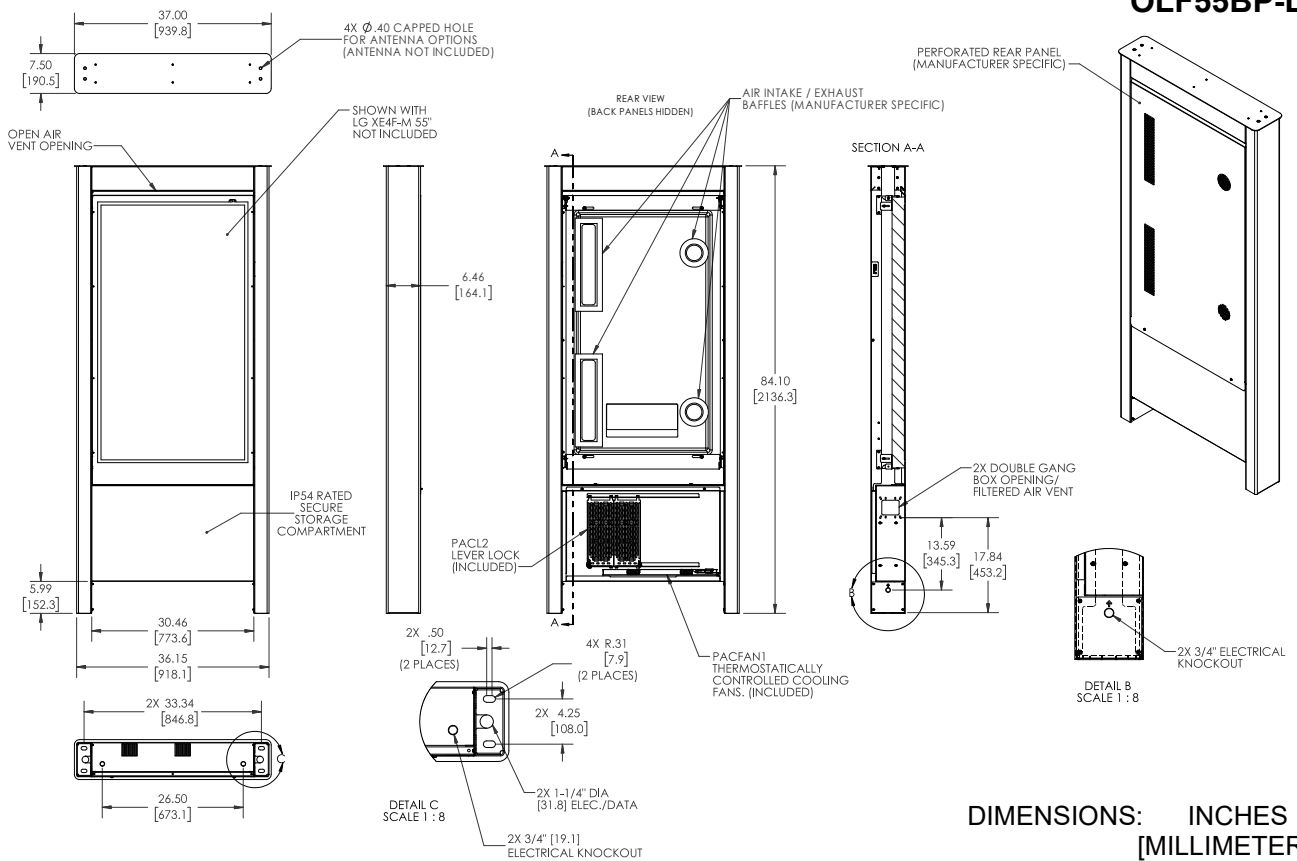
DIMENSIONS

OLF49BP-LG



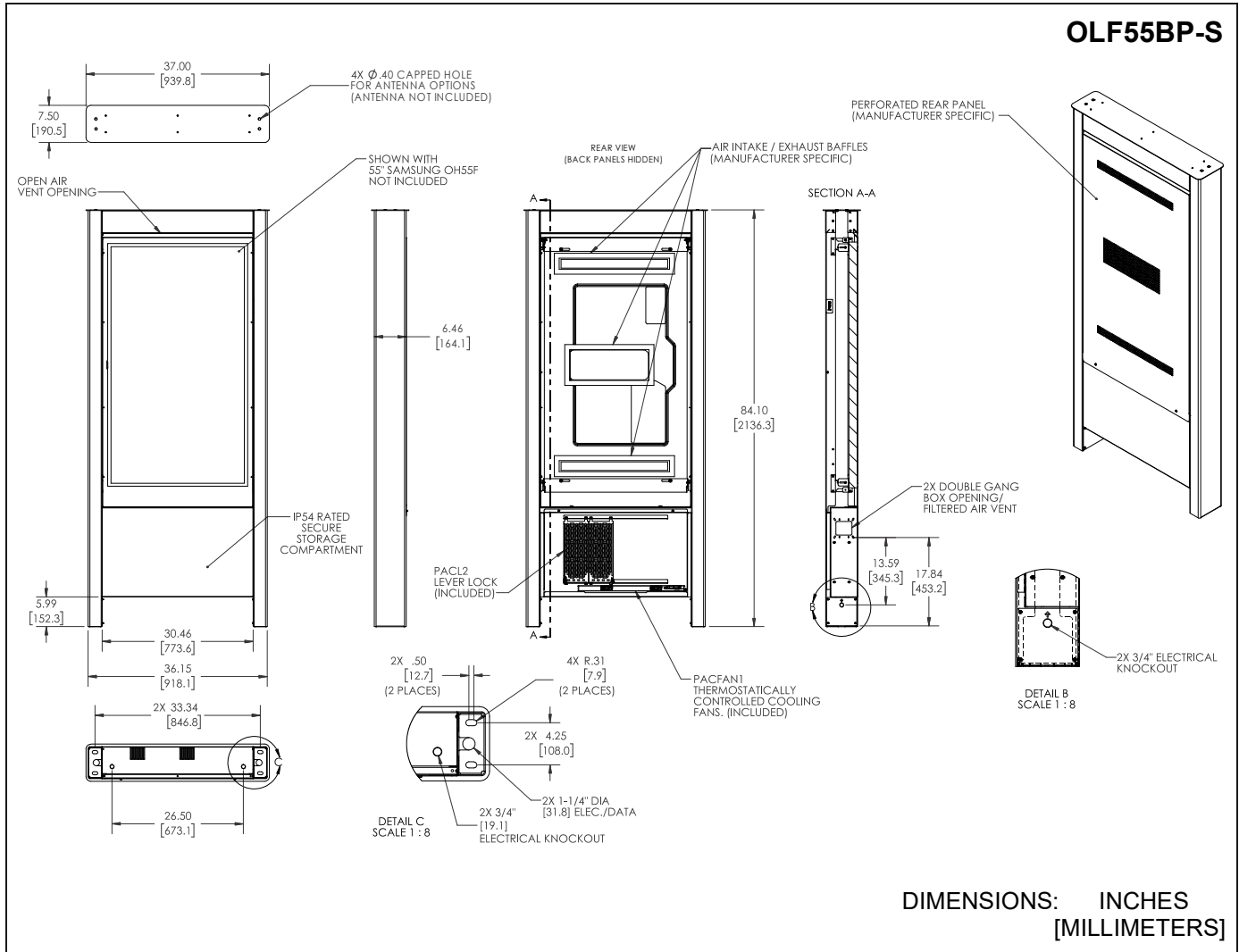
DIMENSIONS: INCHES [MILLIMETERS]

OLF55BP-LG

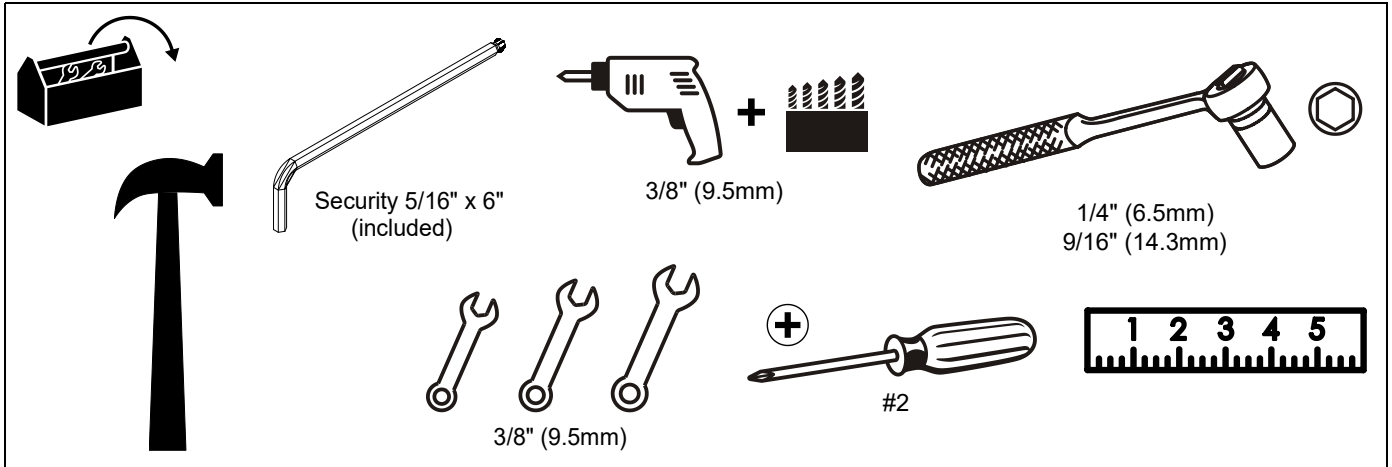


DIMENSIONS: INCHES [MILLIMETERS]

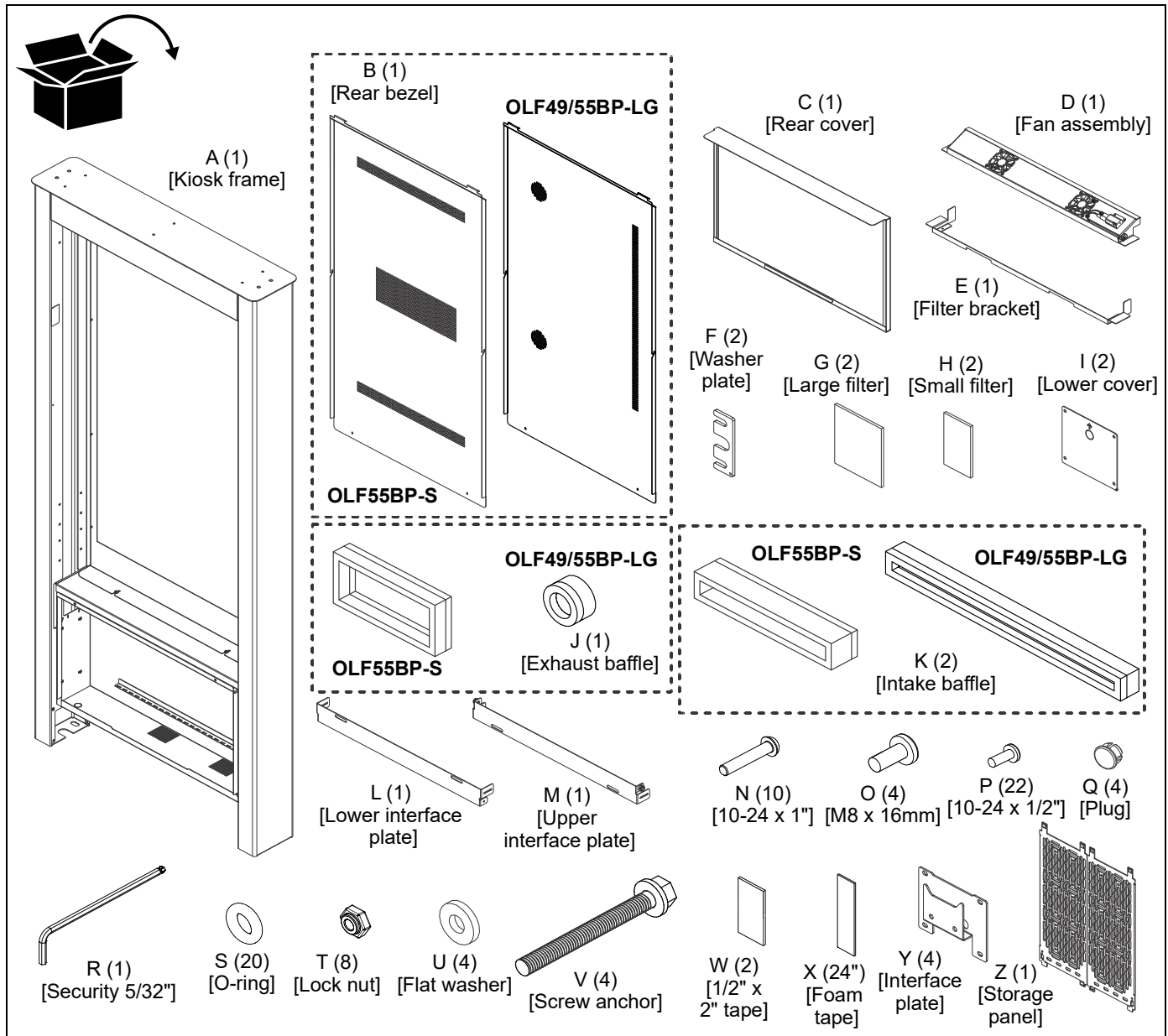
DIMENSIONS...continued



TOOLS REQUIRED FOR INSTALLATION



PARTS



Assembly And Installation

Solid Concrete Floor



WARNING: Anchors must be installed into structurally sound solid concrete with a minimum thickness of 4" (101.6mm) greater. Installation into hollow concrete block, mortar, or concrete that exhibits cracking, spalling, or other defects may result in failure of anchor and serious personal injury or damage to equipment!

1. Before removing components from package, carefully set aside the top corrugate pad and remove the perforated template from the pad. (See Figure 1)

IMPORTANT ! : Do not bend or fold the template.

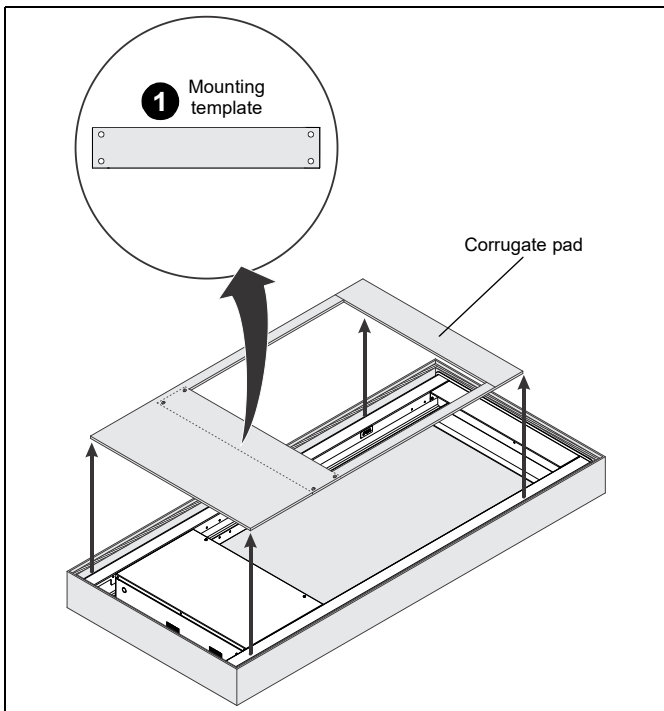


Figure 1

2. Place the template on the floor in the desired location and mark the locations of all four holes. (See Figure 2)

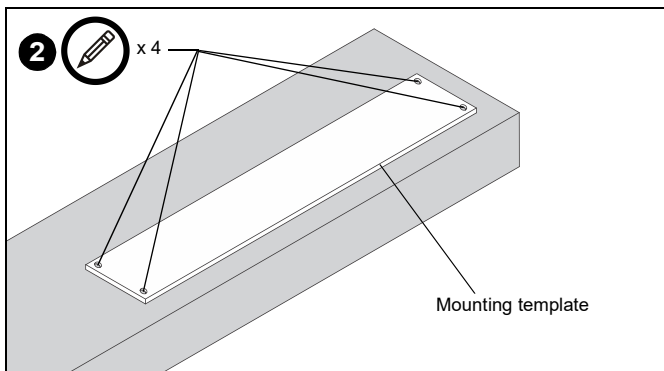


Figure 2

3. Hammer drill 5/16" diameter x 3-1/4" deep hole at each marked cable anchor support location (See Figure 3). Ensure hole is at least 3" from nearest concrete edge. Remove debris from hole. (See Figure 3)

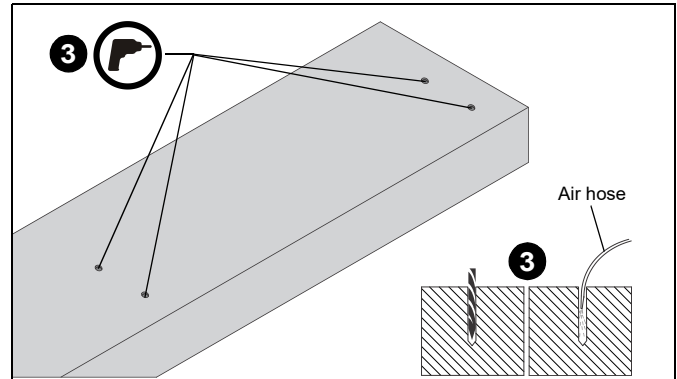


Figure 3

Mounting Kiosk

NOTE: Make sure rear cover (C) of kiosk frame (A) and all loose hardware and installation components have been removed and set aside before mounting the kiosk.

1. Install four interface plates (Y) to inside of kiosk frame (A) using four 10-24 x 1/2" screws (P) per plate.

NOTE: The orientation of the plates installed towards to top of the kiosk frame (A) is opposite of the plates installed towards the bottom of the frame. (See Figure 4)

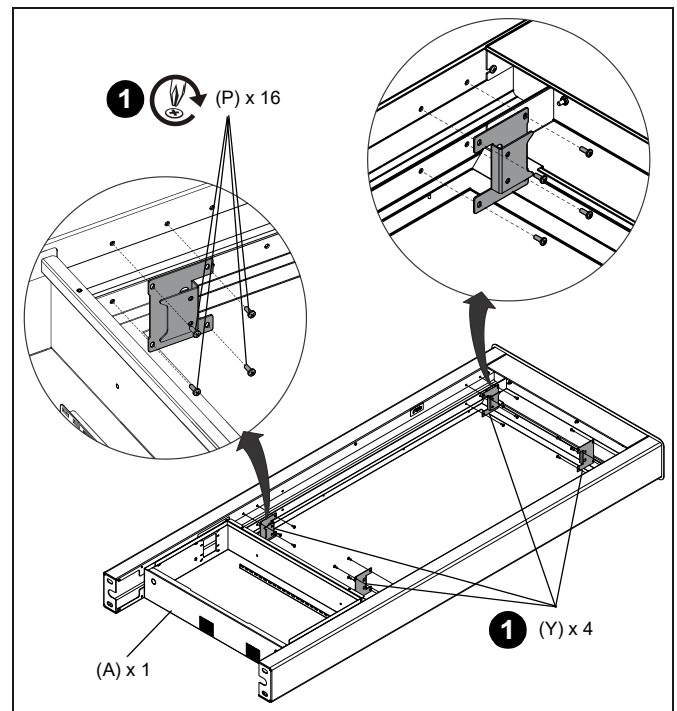


Figure 4

2. Carefully tilt the kiosk frame (A) upwards until standing vertically. Move the feet of the frame into position over the four drilled holes in floor. (See Figure 5)



WARNING: Do not attempt to move the kiosk frame without the assistance of at least one other person.

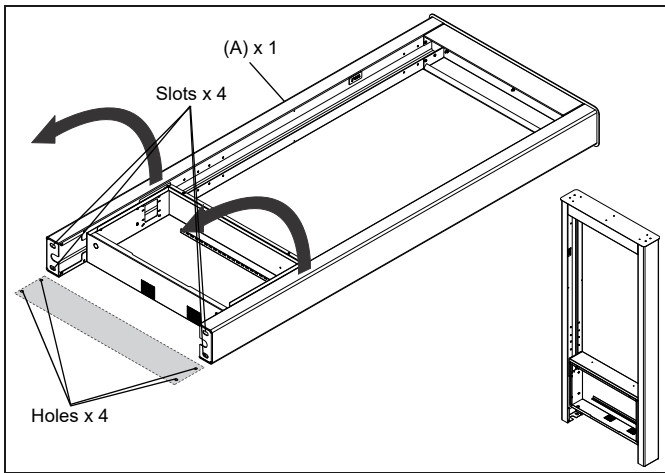


Figure 5

3. Insert a flat washer (U) onto the ends of four screw anchors (V) and insert into the four holes in floor.
4. Slide two washer plates (F) around the exposed bases of the screw anchors (V). (See Figure 6)
5. Tighten the screw anchors to 40 ft-lbs. (See Figure 6)



WARNING: Failure to properly set anchor may result in failure of anchor and serious personal injury or damage to equipment!

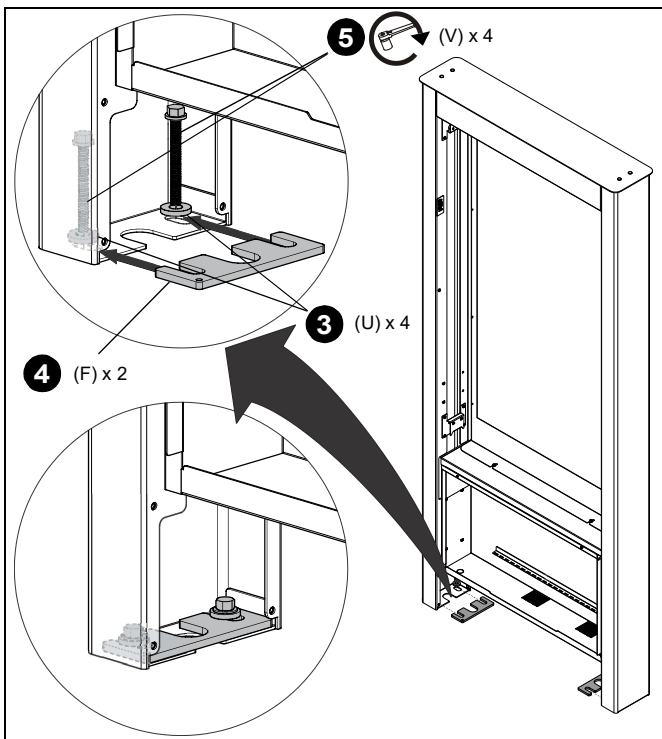


Figure 6

6. Install upper interface bracket (M) to top edge of monitor using two M8 x 16 mm screws (O). (See Figure 7)

NOTE: The upper interface bracket has two mounting buttons installed to the small flanges on the bracket.

7. Install lower interface bracket (L) to bottom edge of monitor using two M8 x 16 mm screws (O). (See Figure 7)

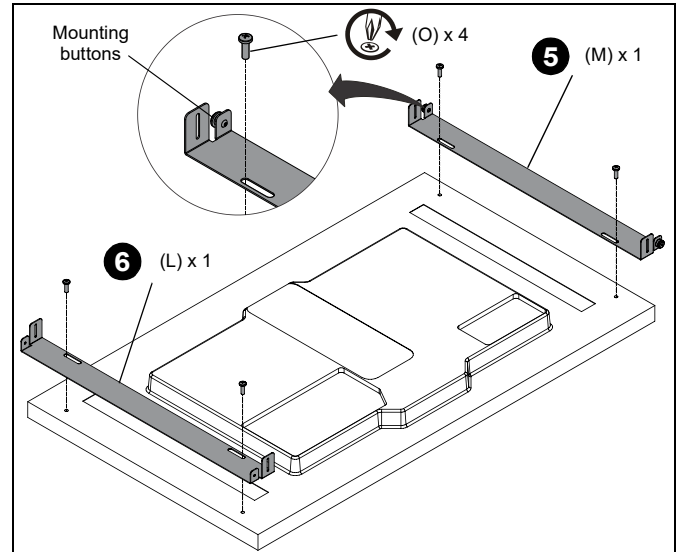


Figure 7

NOTE: The orientation of the upper interface bracket (M) is opposite to the lower interface bracket (L).

8. Tilt the top edge of the monitor into the kiosk frame (A) and rest the mounting buttons on the upper interface bracket into the recessed areas in upper interface plates.
9. Rotate the bottom edge of the monitor down into the kiosk frame until the long slots in the lower interface brackets line up with the holes in lower interface plates. (See Figure 8)

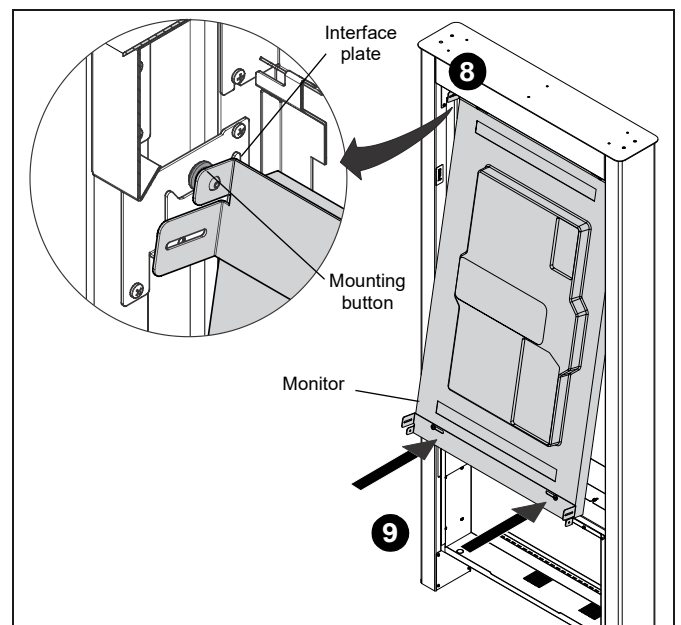


Figure 8

10. Install the upper and lower interface brackets on the monitor to the interface plates on the kiosk frame using four 10-24 x 1/2" screws (P). (See Figure 9)

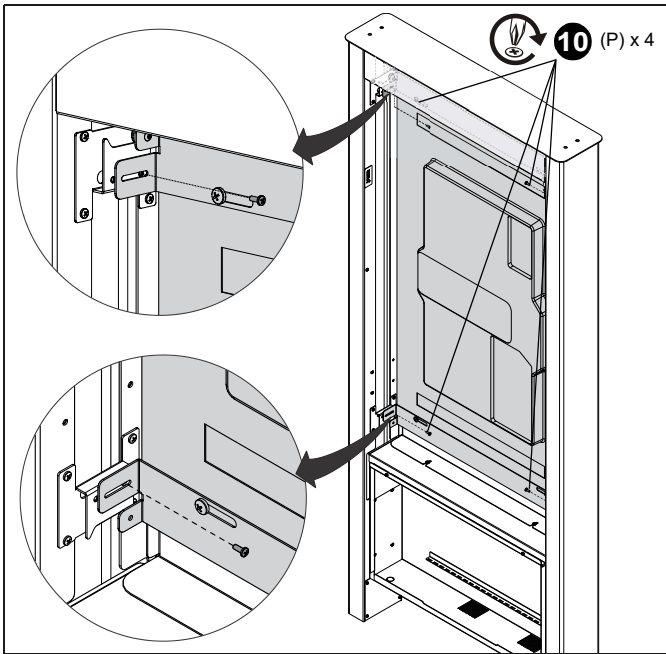


Figure 9

11. Route cables through sides of kiosk frame. Cables can be routed from the monitor to the enclosed storage area and/or out the bottom near the mounting locations. (See Figure 10)

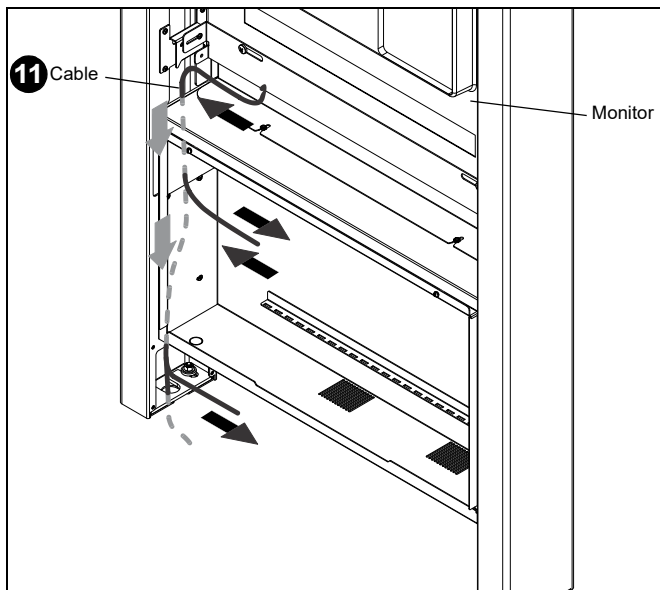


Figure 10

Assembly

1. Remove adhesive covers from two 1/2" x 2" tape pads (W) and attach to edges of fan assembly (D). Attach filter bracket (E) to underside of fan assembly. (See Figure 11)
2. Remove adhesive covers from two foam tapes (X) and attach to edges of filter bracket (E) (See Figure 11)

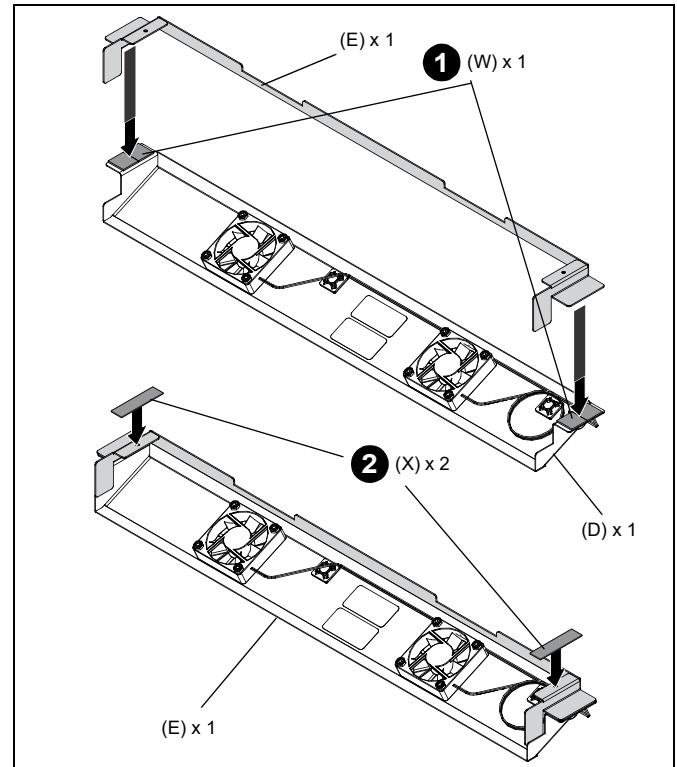


Figure 11

3. Attach assembled fan assembly/filter bracket to the bottom of the enclosed storage area. (See Figure 12)

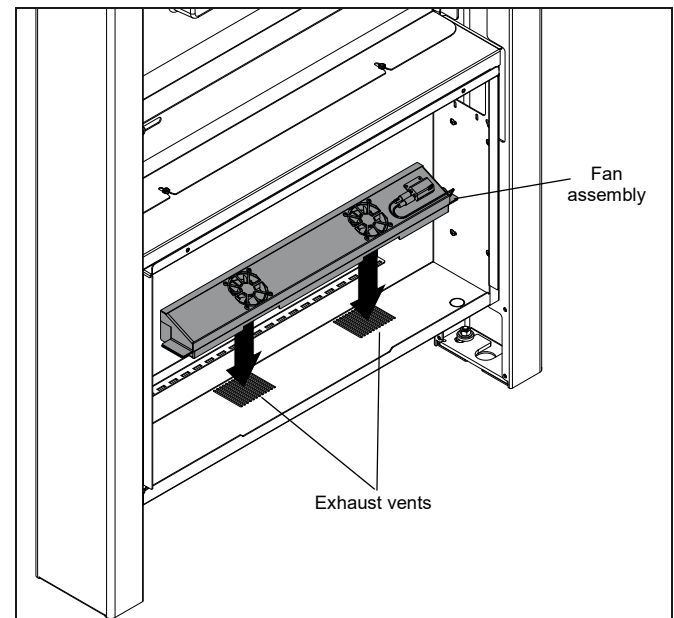


Figure 12

NOTE: Position fan blades over the exhaust vents in the frame.

4. Insert two small filters (H) into the gaps directly underneath the fans between the filter bracket and the bottom panel of the enclosed storage area. (See Figure 13)

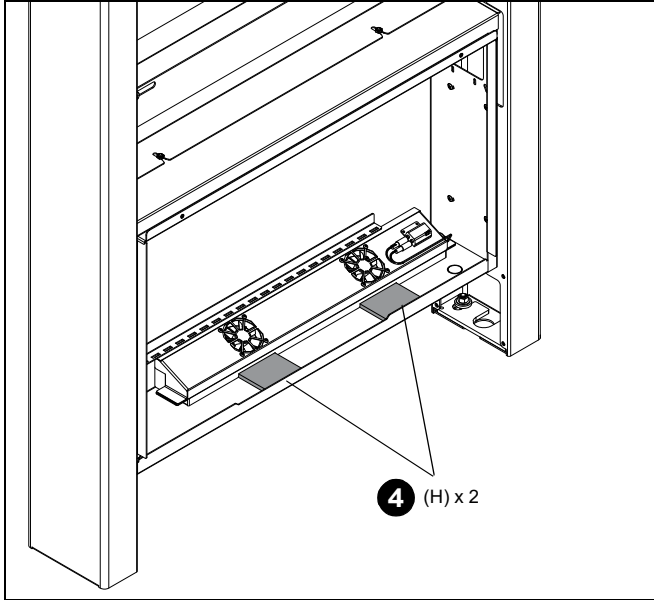


Figure 13

Removing/Installing Storage Panel



WARNING: Exceeding the weight capacity can result in serious personal injury or damage to equipment! It is the installer's responsibility to make sure the weight of components attached to the storage panel does not exceed 5 lbs (2.3 kg)

1. Squeeze the spring-loaded latch on lower end tabs of the storage panel (Z) and slide the panel up and out of the slots on the rear frame. (See Figure 14)
2. To reinstall the panel, slide the panel end without latches up into the slots on one side of the rear frame opening.
3. Pivot panel in and slide it down toward the slots on lower side of the rear frame panel opening. The panel will snap into the slots, securing it to the rear frame. (See Figure 14)

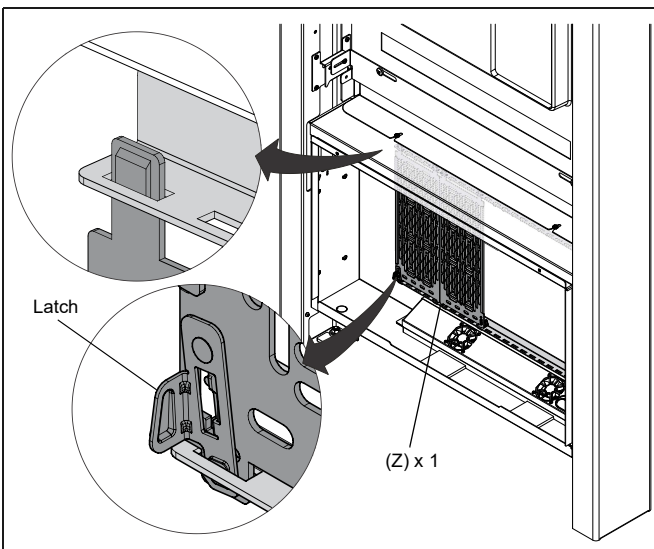


Figure 14

Finishing Assembly

1. Place two large filters (G) over the large openings in the sides of the kiosk frame in the enclosed storage area. (See Figure 15)

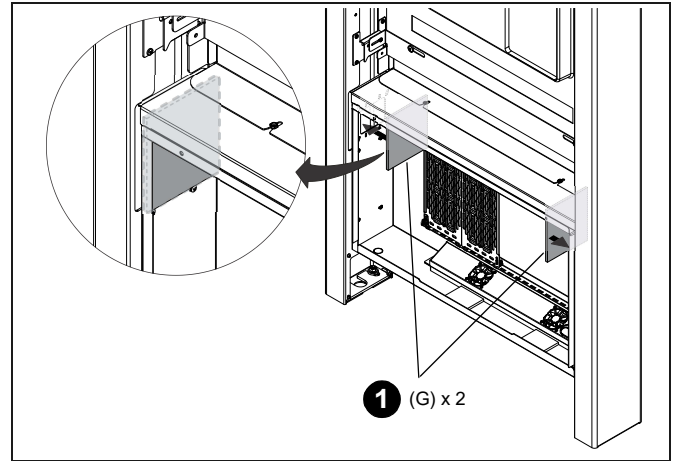


Figure 15

2. Place the rear cover (C) over the back side of the kiosk frame. (See Figure 16)

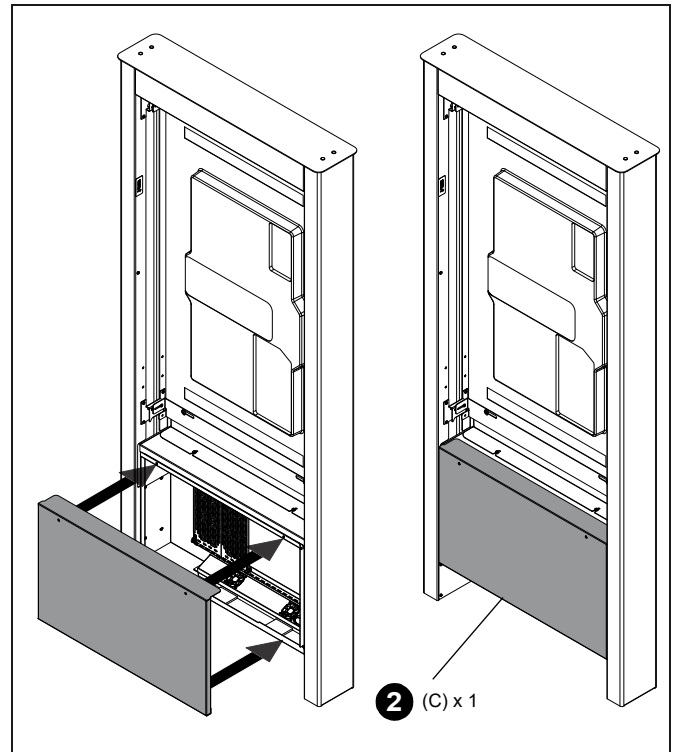


Figure 16

3. Remove adhesive covers from one exhaust baffle (J) and two intake baffles (K), then attach to the inside of the rear bezel (B) around the openings in the panel. (See Figure 17)

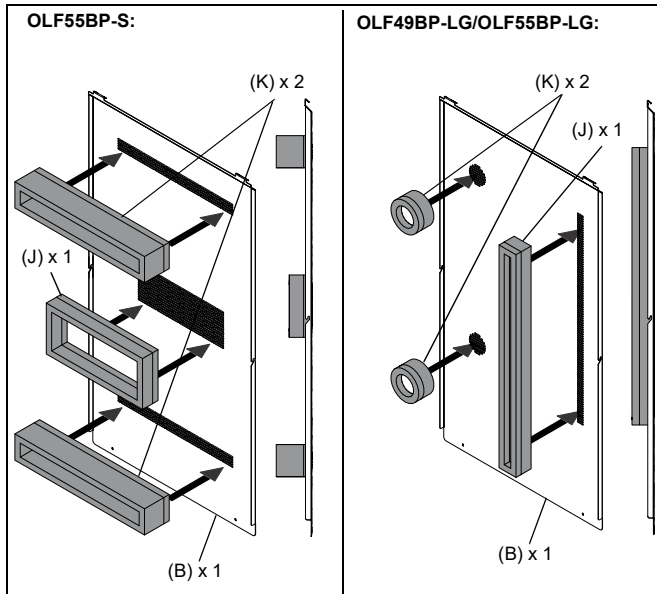


Figure 17

4. Hook the top of the rear bezel (B) onto the edge along the inside of the kiosk frame. (See Figure 18)
5. Carefully rotate the bottom edge of the bezel down, making sure the cutouts on both sides fit around the exposed screw heads in the sides of the kiosk frame. (See Figure 18)
6. Position rear bezel (B) flat against the kiosk frame and install two 10-24 x 1" screws (N) and O-rings (S) through the holes along the bottom edge of the bezel. (See Figure 18)

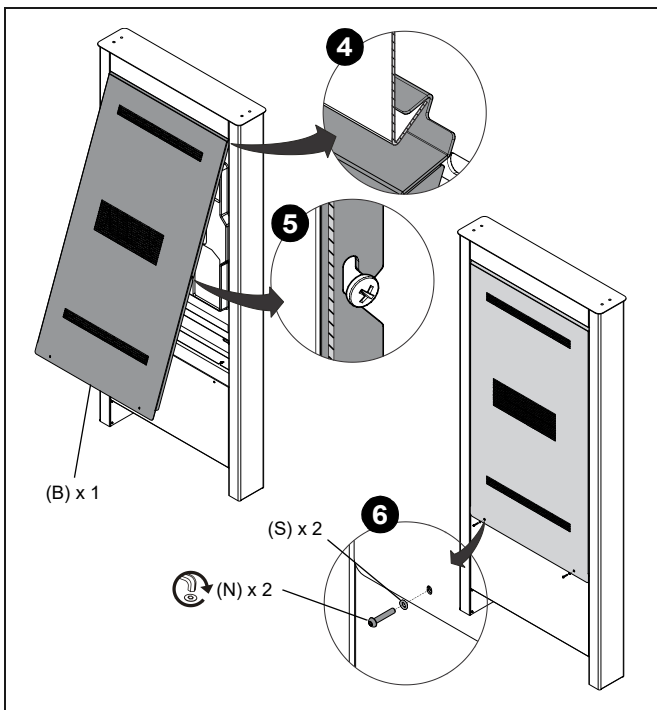


Figure 18

7. Install two lower covers (I) over the openings at the base of the kiosk frame using eight 10-24 x 1" screws (N) and O-rings (S). The arrows on the panels point up. (See Figure 19)

NOTE: The lower panels have punch-outs (circle areas underneath the arrows) that can be removed to provide additional wiring clearance if needed.

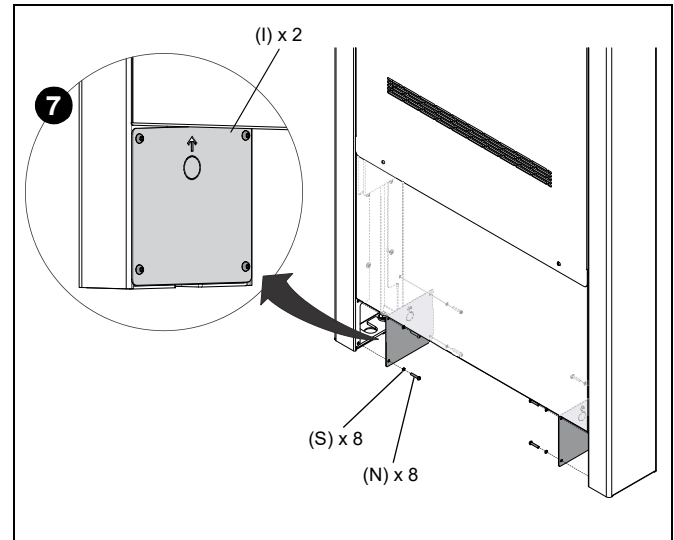


Figure 19

8. Insert four plugs (Q) into the holes in the top panel of the kiosk frame. (See Figure 20)

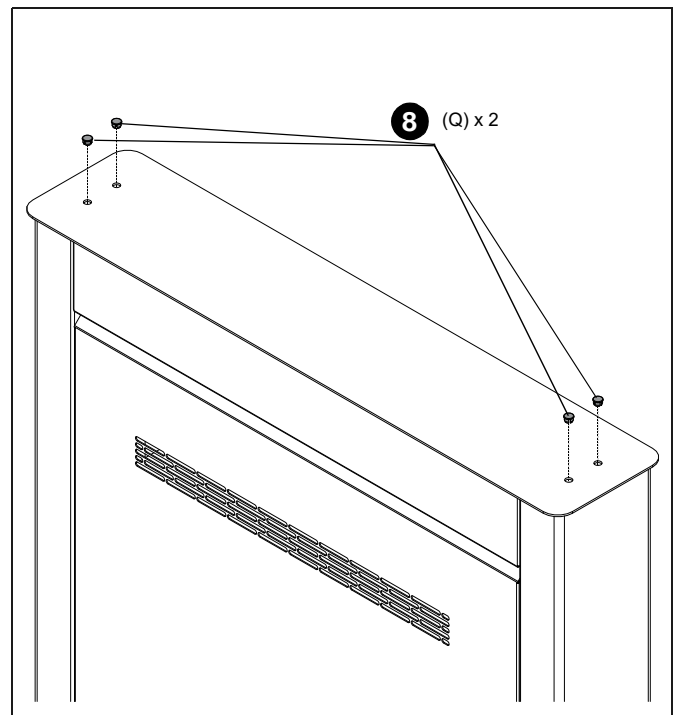


Figure 20



A brand of  **legrand**[®]

8800-003332 Rev00
 ©2022 Legrand | AV
www.legrandav.com
 10/2022

USA/International	<p>A 6436 City West Parkway, Eden Prairie, MN 55344 P 800.582.6480 / 952.225.6000 F 877.894.6918 / 952.894.6918</p>
Europe	<p>A Franklinstraat 14, 6003 DK Weert, Netherlands P +31 (0) 495 580 852 F +31 (0) 495 580 845</p>
Asia Pacific	<p>A Office No. 918 on 9/F, Shatin Galleria 18-24 Shan Mei Street Fotan, Shatin, Hong Kong P 852 2145 4099 F 852 2145 4477</p>

