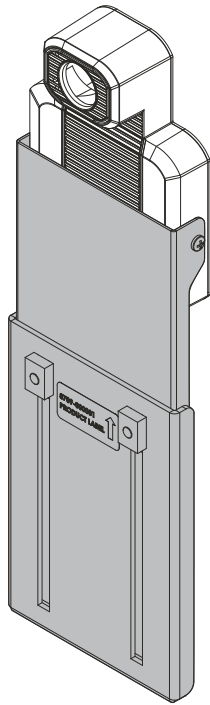


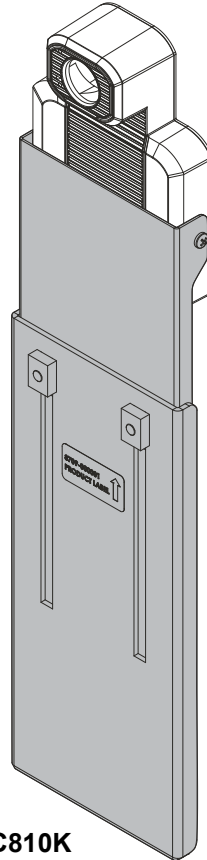
---

# INSTALLATION INSTRUCTIONS

---



PAC800K



PAC810K

---

## ConferenceSHOT® Video Conferencing Mount

---

---

# CHIEF®

A brand of  legrand®

# PAC800K/810K

---

**DISCLAIMER**

Legrand | AV and its affiliated corporations and subsidiaries (collectively “Legrand | AV”), intend to make this manual accurate and complete. However, Legrand | AV makes no claim that the information contained herein covers all details, conditions or variations, nor does it provide for every possible contingency in connection with the installation or use of this product. The information contained in this document is subject to change without notice or obligation of any kind. Legrand | AV makes no representation of warranty, expressed or implied, regarding the information contained herein. Legrand | AV assumes no responsibility for accuracy, completeness or sufficiency of the information contained in this document.

Chief® and ConferenceSHOT® are registered trademarks of Legrand AV Inc.

**DEFINITIONS**

**MOUNTING SYSTEM:** A MOUNTING SYSTEM is the primary Chief product to which an accessory and/or component is attached.

**ACCESSORY:** AN ACCESSORY is the secondary Chief product which is attached to a primary Chief product, and may have a component attached or setting on it.

**COMPONENT:** A COMPONENT is an audiovisual item designed to be attached or resting on an accessory or mounting system such as a video camera, CPU, screen, display, projector, etc.



**WARNING:** A WARNING alerts you to the possibility of serious injury or death if you do not follow the instructions.



**CAUTION:** A CAUTION alerts you to the possibility of damage or destruction of equipment if you do not follow the corresponding instructions.



**IMPORTANT SAFETY INSTRUCTIONS!**



**WARNING:** Failure to read, thoroughly understand, and follow all instructions can result in serious personal injury, damage to equipment, or voiding of factory warranty! It is the installer’s responsibility to make sure all mounting systems/ accessories are properly assembled and installed using the instructions provided.



**WARNING:** Failure to provide adequate structural strength for this accessory can result in serious personal injury or damage to equipment! It is the installer’s responsibility to make sure the structure to which this accessory is attached can support five times the combined weight of all equipment. Reinforce the structure as required before installing the accessory.

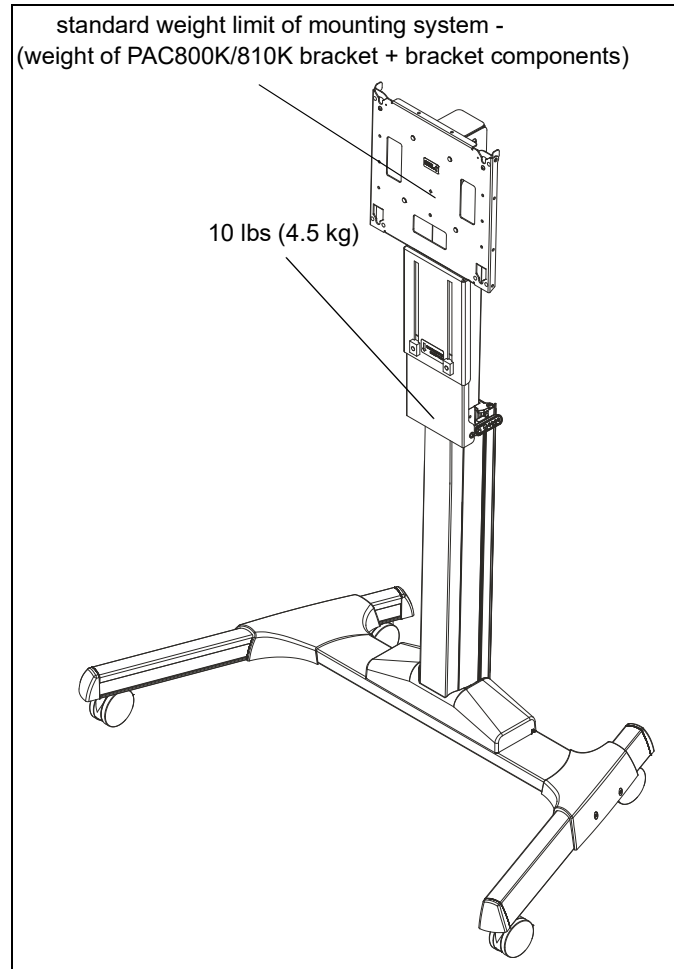


**WARNING:** Exceeding the weight capacity can result in serious personal injury or damage to equipment! It is the

installer’s responsibility to make sure the combined weight of all equipment and accessories mounted on the PAC800K/ 810K does not exceed 10 lbs (4.54 kg).



**WARNING:** Use of this accessory will decrease the weight capacity of the mounting system to which it is attached by the combined weight of the accessory and all components supported by this accessory! See Figure below for reference.



**WARNING:** RISK OF INJURY TO PERSONS! Do not use this accessory to support video equipment such as televisions or computer monitors.

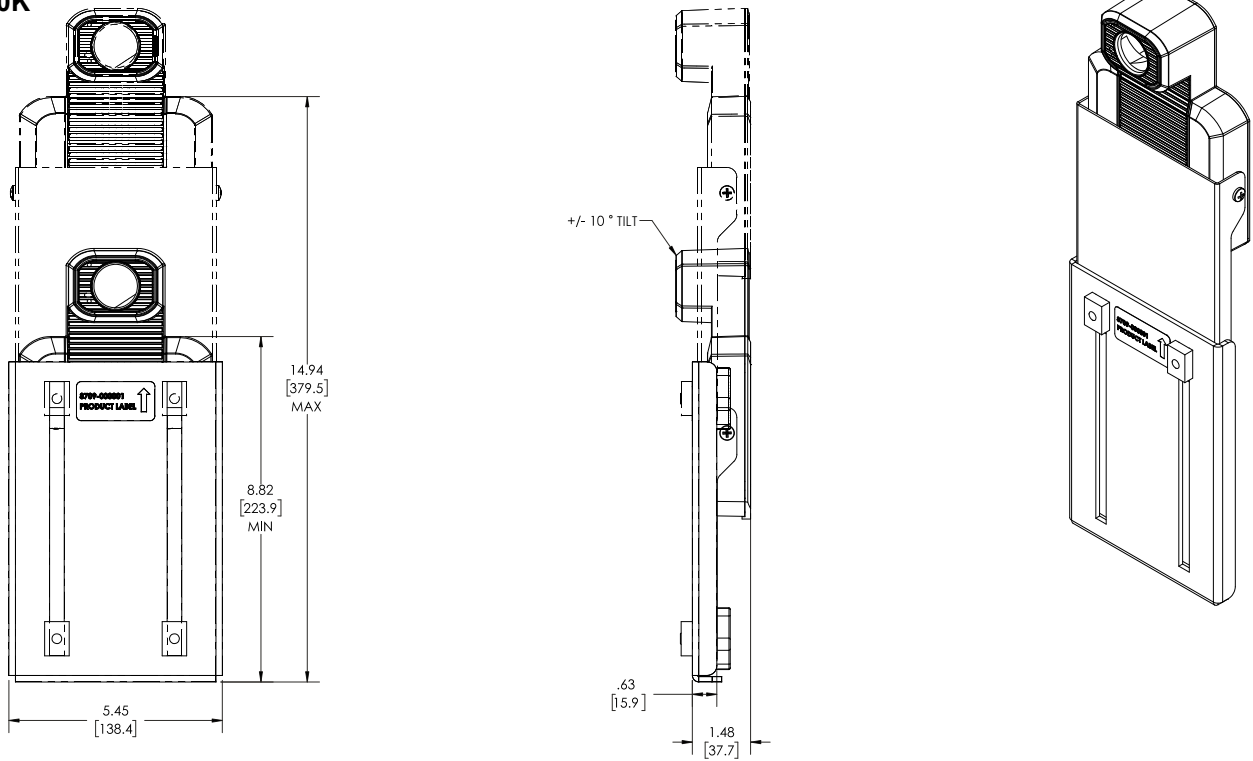


**WARNING:** Do not use this accessory outdoors.

**--SAVE THESE INSTRUCTIONS--**

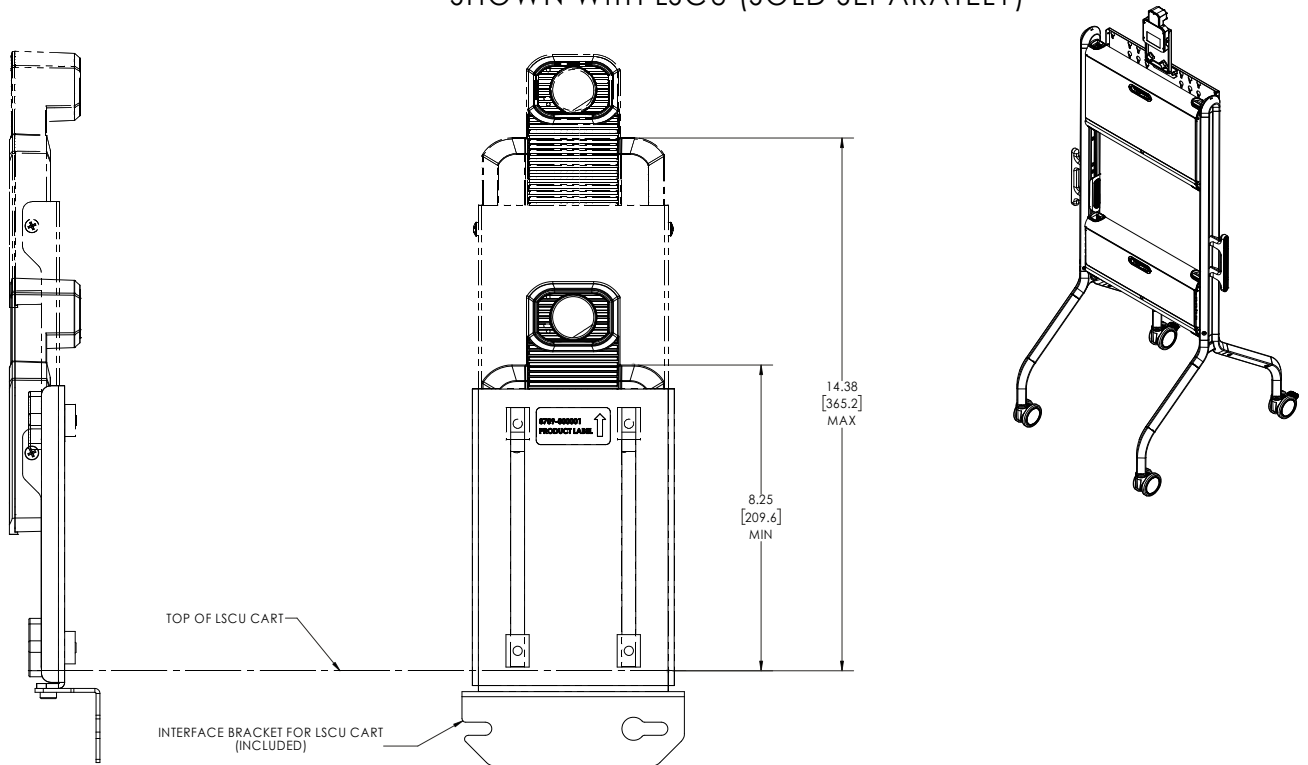
**DIMENSIONS**

**PAC800K**



NOTE: CAMERA CAN BE INSTALLED ABOVE OR BELOW DISPLAY, CAMERA SHOWN FOR REFERENCE ONLY

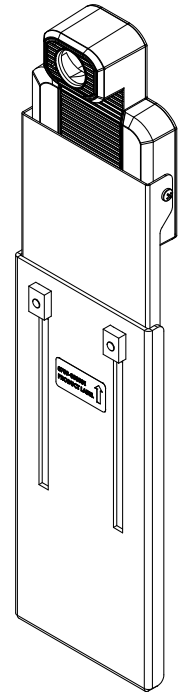
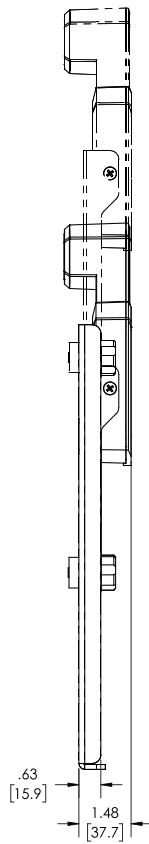
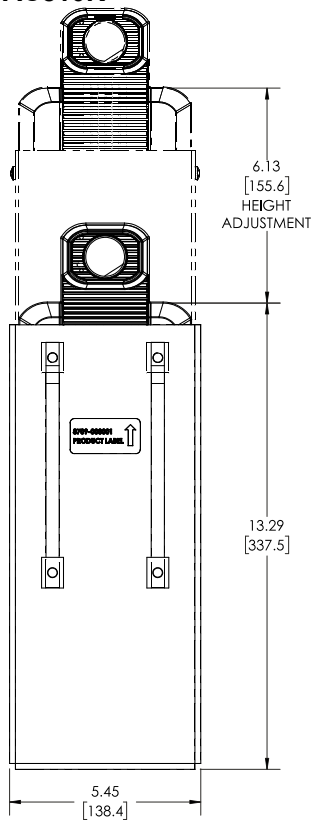
**SHOWN WITH LSCU (SOLD SEPARATELY)**



NOTE: CAMERA CAN BE INSTALLED ABOVE OR BELOW DISPLAY. DIMENSIONS ARE THE SAME FOR BOTH. SHOWN WITH CAMERA AND CART FOR REFERENCE ONLY.

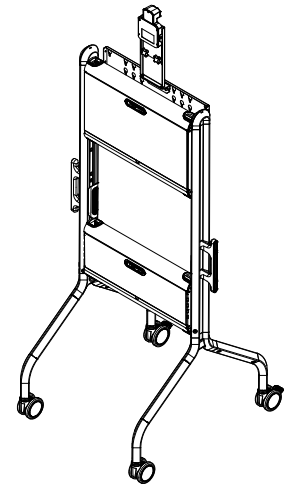
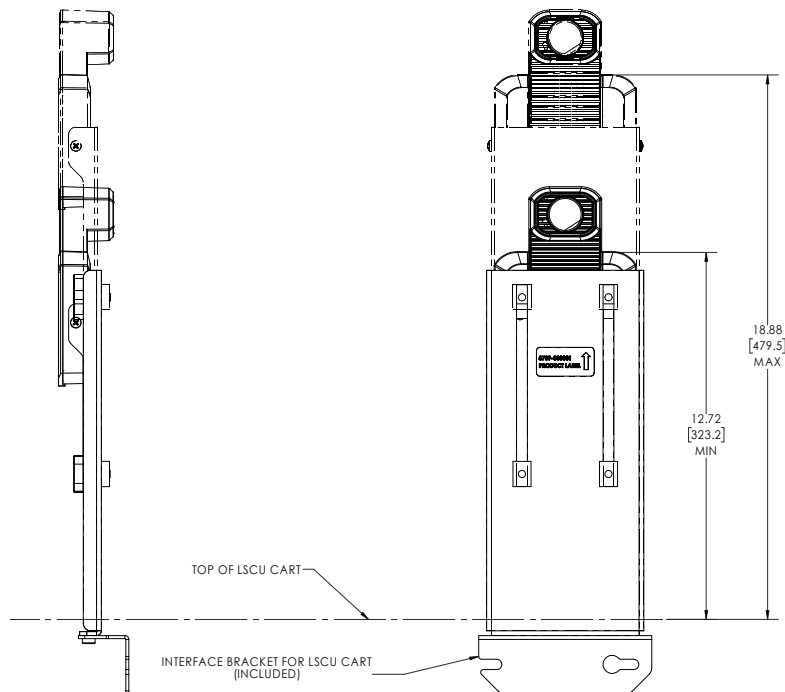
**DIMENSIONS (CONTINUED)**

**PAC810K**



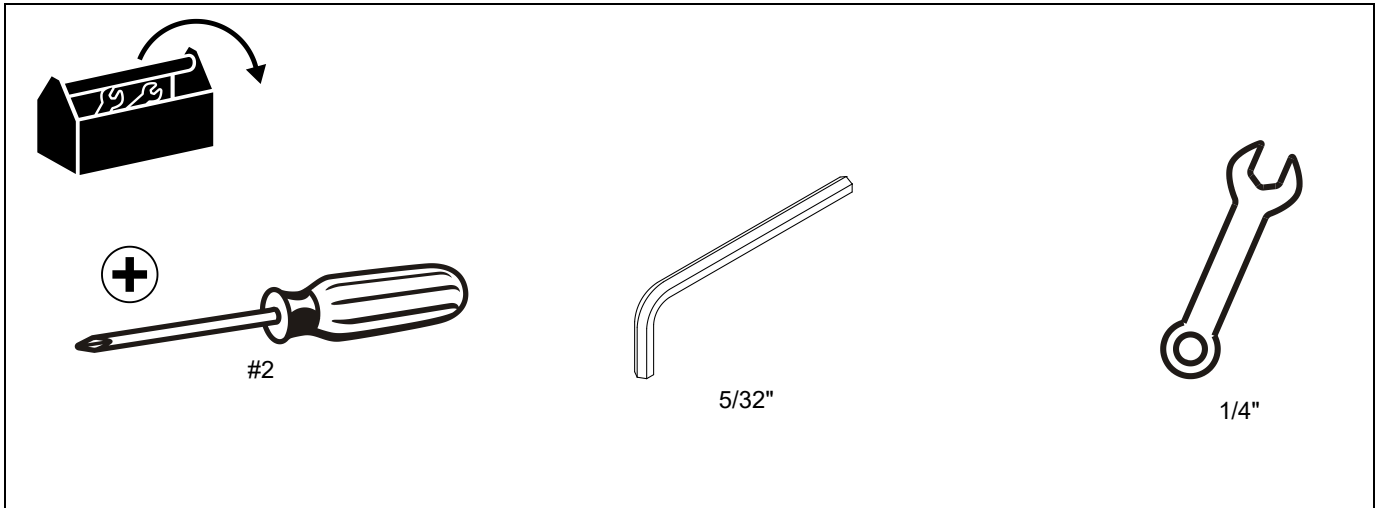
NOTE: CAMERA CAN BE INSTALLED ABOVE OR BELOW DISPLAY

SHOWN WITH LSCU (SOLD SEPARATELY)

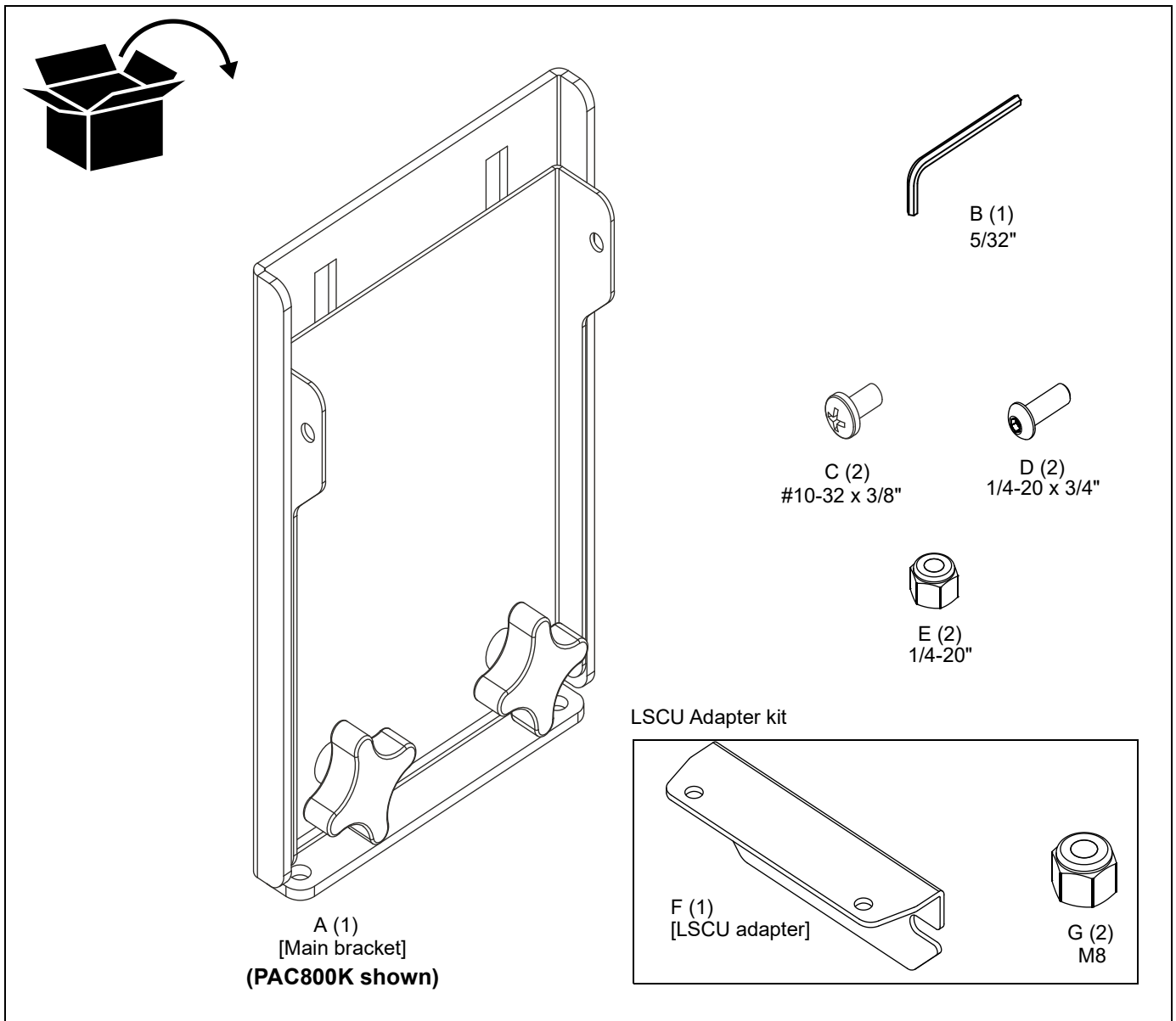


NOTE: CAMERA CAN BE INSTALLED ABOVE OR BELOW DISPLAY. DIMENSIONS ARE THE SAME FOR BOTH. SHOWN WITH CAMERA AND CART FOR REFERENCE ONLY.

### TOOLS REQUIRED FOR INSTALLATION



### PARTS



### Installation

**NOTE:** The PAC800K/810K video conferencing shelf can be mounted before or after the display is mounted to the faceplate. It may be mounted above or below the display. If installing to LSCU cart, LSCU adapter bracket (F) must be used. See Attach to LSCU Faceplate section.

#### Attach to Faceplate

1. Position main bracket (A) above or below the faceplate making sure to line up the holes on the bracket with the holes on the faceplate. (See Figure 1) or (See Figure 2)
2. Install two 1/4-20 x 3/4" button head cap screws (D) through holes in bracket (A) and faceplate. (See Figure 1) or (See Figure 2)
3. Thread two 1/4-20" lock nuts (E) onto screws (D) to secure bracket (A) to faceplate. (See Figure 1) or (See Figure 2)

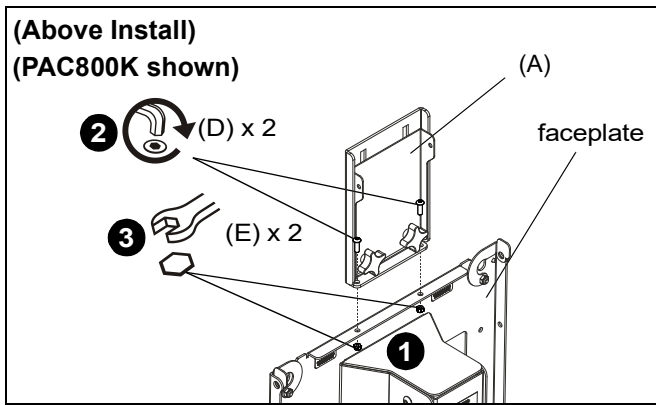


Figure 1

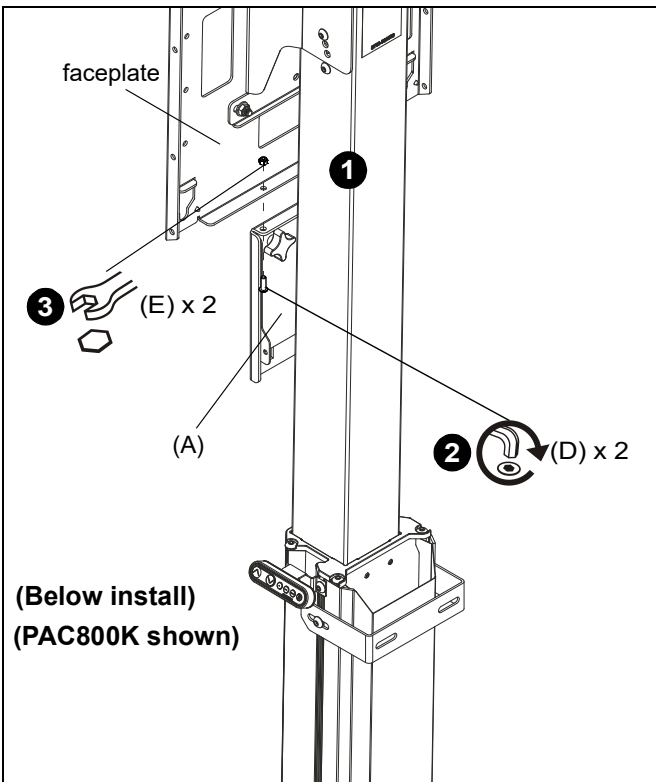


Figure 2

#### Attach to LSCU Faceplate (LSCU only)

1. Install two M8 hex nuts (G) onto back of LSCU faceplate leaving 1/8" between nuts and faceplate. (See Figure 3)
2. Install adapter bracket (F) over nuts (G) and slide over into mounting position. (See Figure 3)
3. Tighten two M8 hex nuts (G) to secure adapter bracket (F) to back of LSCU faceplate. (See Figure 3)

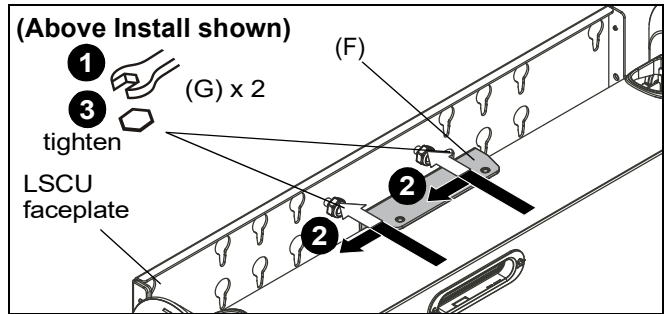


Figure 3

4. Position main bracket (A) above or below the adapter bracket (F) making sure to line up the holes on the main bracket with the holes on the adapter bracket. (See Figure 4) or (See Figure 5)
5. Install two 1/4-20 x 3/4" button head cap screws (D) through holes in main bracket (A) and adapter bracket (F). (See Figure 4) or (See Figure 5)

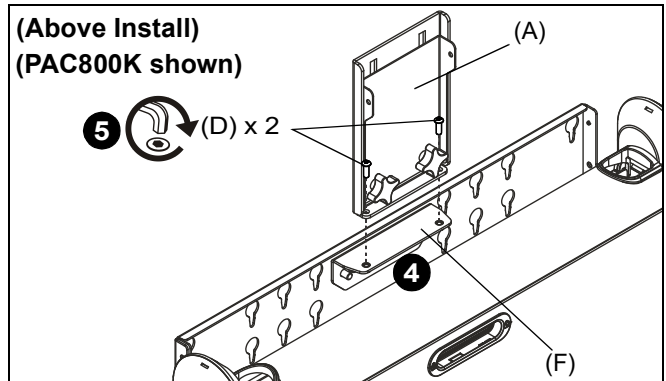


Figure 4

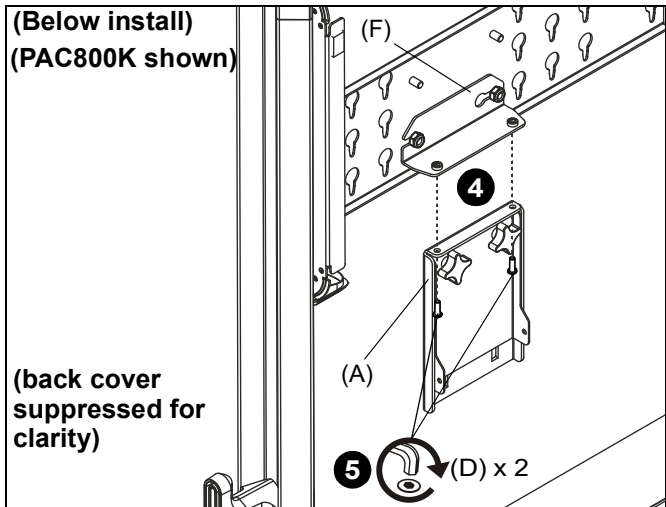


Figure 5

### Installing Camera (not included)



**WARNING:** Exceeding the weight capacity can result in serious personal injury or damage to equipment! It is the installer's responsibility to make sure the combined weight mounted on the PAC800K/810K does not exceed 10 lbs (4.5 kg).

1. Use two #10-32 x 3/8" Phillips pan machine screws (C) to secure camera to main bracket (A). (See Figure 6)

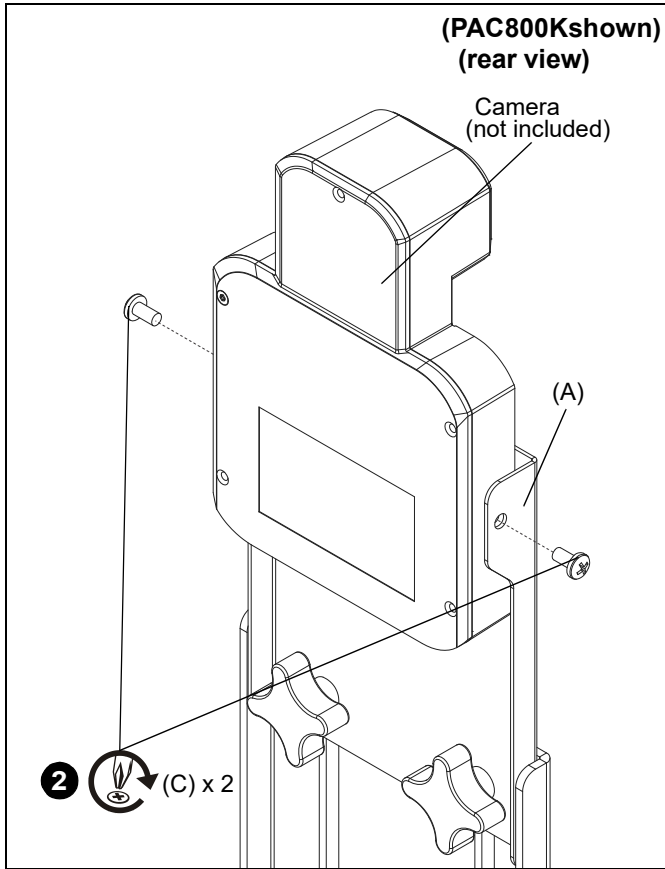


Figure 6

### Adjustments

#### Height Adjustment

1. Loosen two adjustment knobs on the back of the main bracket (A). (See Figure 7)
2. Raise or lower bracket to desired height. (See Figure 7)
3. Tighten two adjustment knobs on the back of the bracket until mount is secure. (See Figure 7)

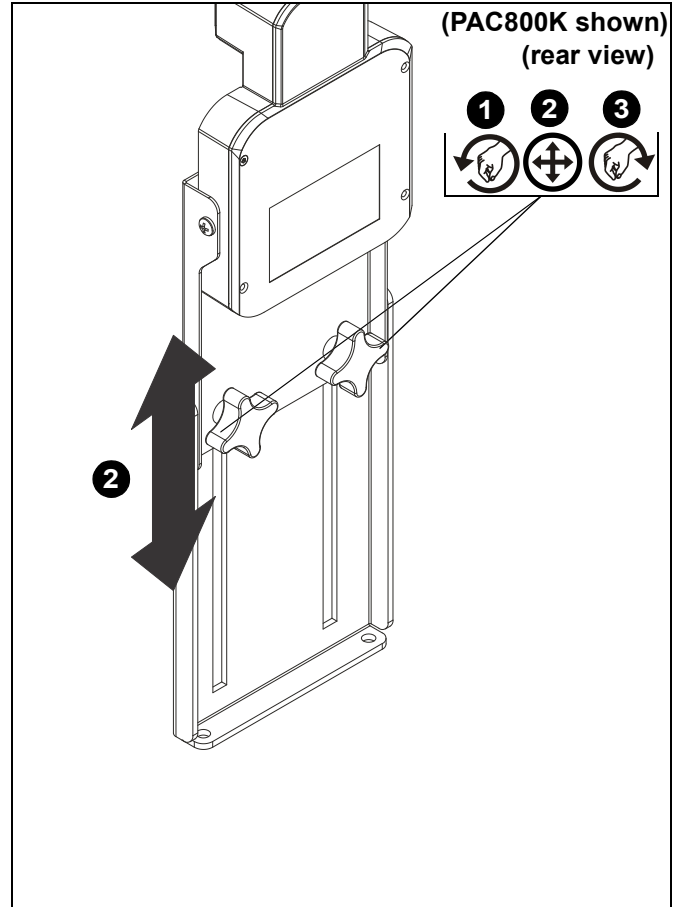


Figure 7

# CHIEF®

A brand of  **legrand**

8800-003376 Rev00  
©2023 Legrand | AV  
[www.legrandav.com](http://www.legrandav.com)  
01/2023

<b>USA/International</b>	<b>A</b> 6436 City West Parkway, Eden Prairie, MN 55344 <b>P</b> 800.582.6480 / 952.225.6000 <b>F</b> 877.894.6918 / 952.894.6918
<b>Europe</b>	<b>A</b> Franklinstraat 14, 6003 DK Weert, Netherlands <b>P</b> +31 (0) 495 580 852 <b>F</b> +31 (0) 495 580 845
<b>Asia Pacific</b>	<b>A</b> Office No. 918 on 9/F, Shatin Galleria 18-24 Shan Mei Street Fotan, Shatin, Hong Kong <b>P</b> 852 2145 4099 <b>F</b> 852 2145 4477

