

FBI/CIA

Riedel offers two universal interfaces, the FBI Fiber Interface and the CIA Coax Interface Adapter for the transmission of panel port audio/data for the Artist intercom panels and AES/EBU signals.

The FBI converts an Artist panel port from CAT5 to fiber in a bi-directional way providing long distance operation of Artist control panels.

As the unit offers both connectors, for the matrix and for the panel it can be inserted on either side.

The interface may also be used for the bidirectional transmission of an AES/EBU signal.

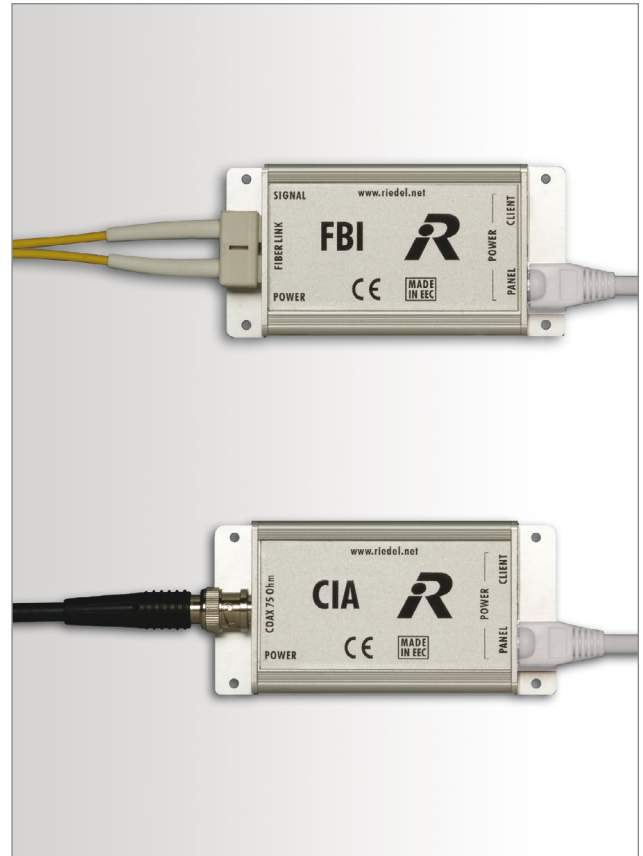
Distances up to 2,000 meters can be realized using a dual multimode fiber.

The CIA interface converts an Artist panel port from CAT5 to 75Ω Coax and vice versa.

Since Artist control panels provide both CAT5 and Coax interfaces for connection to the matrix, CIA can be used to adapt an Artist matrix port to the existing infrastructure, especially useful for OB-vans and mobile applications.

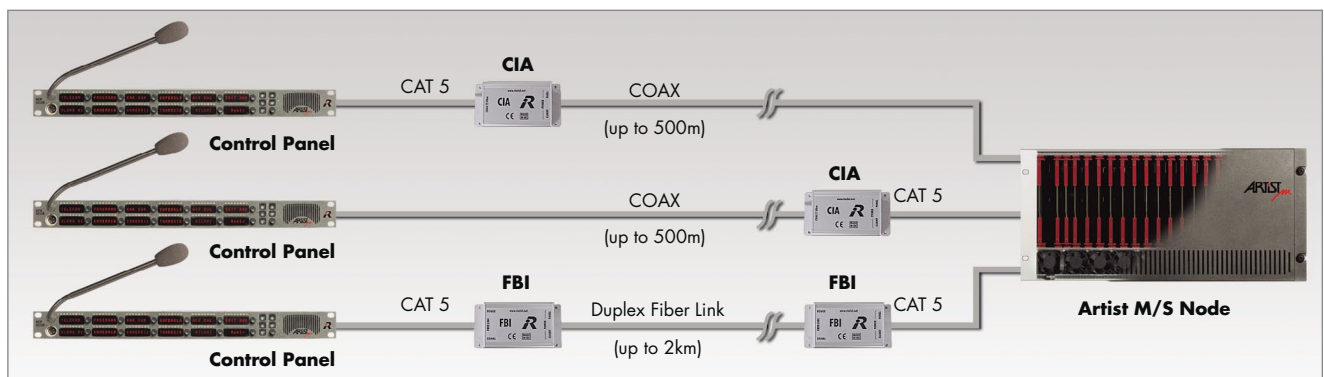
Distances up to 350 meters can be realized using 0.8/4.9 video cable.

The CIA and FBI Interfaces are powered by external wall wart power supplies.



Both interfaces may be combined in mixed installations.

Various applications are shown in the schematics below.

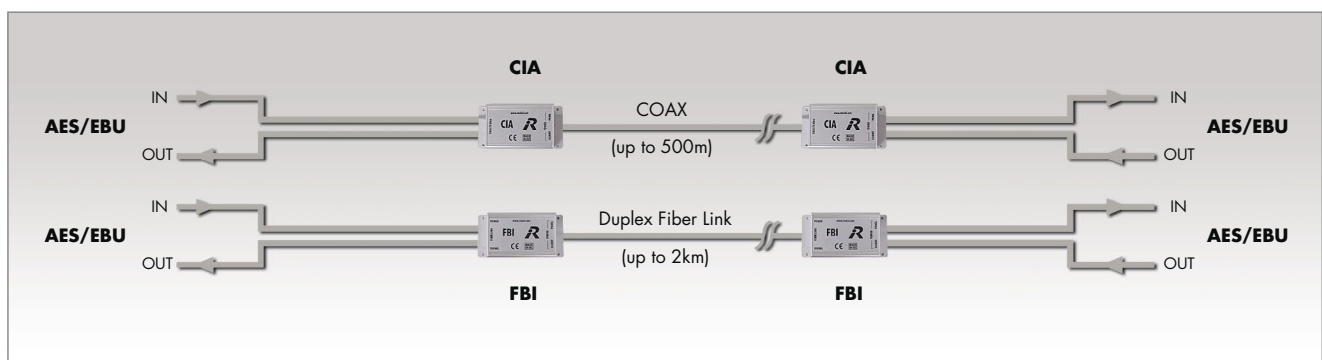


FBI/CIA

Specifications

FBI	Fiber Interface
Connectors	RJ-45 for matrix, panel or AES/EBU SC-Duplex for multimode-fiber
Transmission distances	up to 2,000 m with multimode-fiber (1300 nm)
Indicators	Power LED, signal detect LED
Power requirements	6V DC provided by optional external power supply via RJ-45
Dimensions	110mm x 55mm x 25mm

CIA	Coax Interface Adapter
Connectors	RJ-45 for matrix, panel or AES/EBU BNC 75Ω for COAX
Transmission distances	up to 350m with standard video cable (0.8/4.9)
Indicators	Power LED
Power requirements	6V DC provided by optional external power supply via RJ-45
Dimensions	110mm x 55mm x 25mm



Product specifications are subject to change without notice. This material is provided for information purposes only; Riedel assumes no liability related to its use. September 2011.