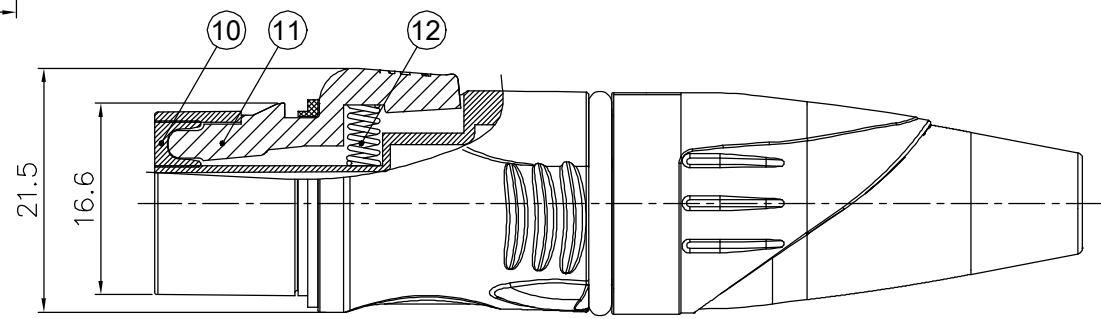
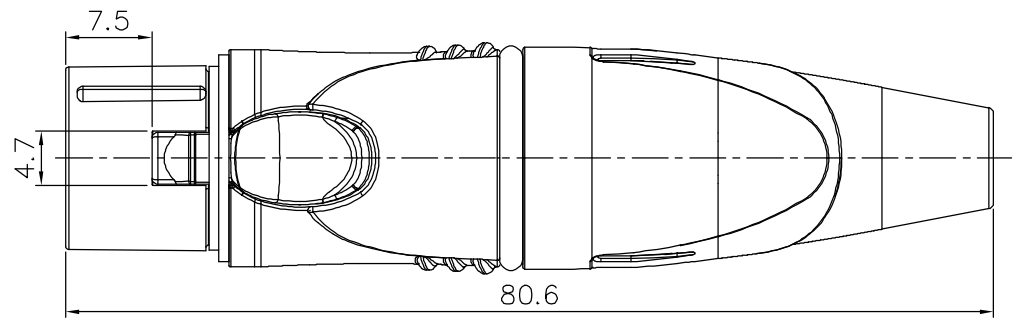
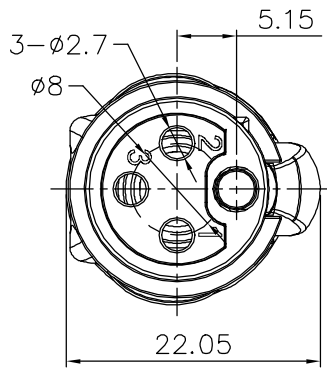
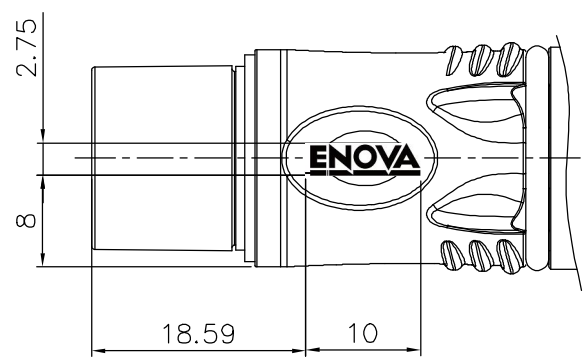
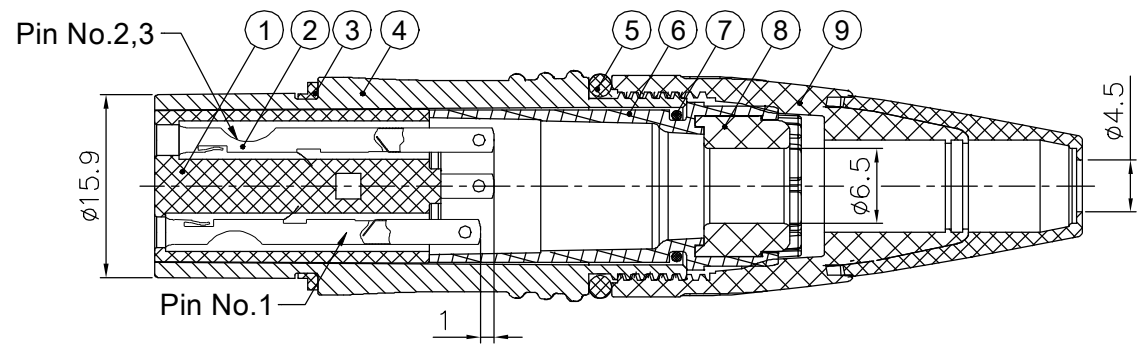


1 2 3 4 5 6 7 8

REVISIONS		
ISS	ZONE	DESCRIPTION\PER REQUEST\DATE
V	OPEN	Open drawings to customers



12	SPRING	SPRING STEEL		1	
11	PUSH BUTTON	ZZnAL4-1	Electro-coating black)	1	
10	JAM	H59-1	Zinc black	1	
9	CAP+BOOT	PA6+TPR	BK+OR	1	
8	WATERPROOF	NBR	BLACK	1	
7	O-WASHER	NBR	BLACK	1	
6	CABLE CLAMP	PA6	WHITE	1	
5	O-WASHER	NBR	BLACK	1	
4	DIE-CAST SHELL	ZZnAL4-1	Electro-coating black	1	
3	O-WASHER	NBR	BLACK	1	
2	FEMALE PIN	PHOSPHOR BRONZE	SILVER	3	
1	INSULATOR	PA	BLACK	1	
NO.	DESCRIPTION	MATERIAL	FINISH	Q'TY	DRAWING NO.

DIMENSIONS ARE IN MILLIMETERS		APPROVED	DATE
UNLESS OTHERWISE SPECIFIED TOLERANCES		CHECKED	DATE
ANGLES = ±5°		DRAWN	DATE
UP TO 6 = ±0.2		HAONANHU	2019-8-27
6-40 = ±0.4		FILE NO.	
40-120 = ±0.6		ERP LINK:	
120-315 = ±1			
ABOVE 315 = ±1.6			
THIRD_ANGLE			
SCALE	1.5/1		

Connector Distribution GmbH			
TITLE			
WATERPROOF 3P XLR FEMALE CONNECTOR PLATED SILVER PIN			
PART NO.		REV.	
XL23FB-W		A1	

1 2 3 4 5 6 7 8

F

E

D

C

B

A

F

E

D

C

B

A