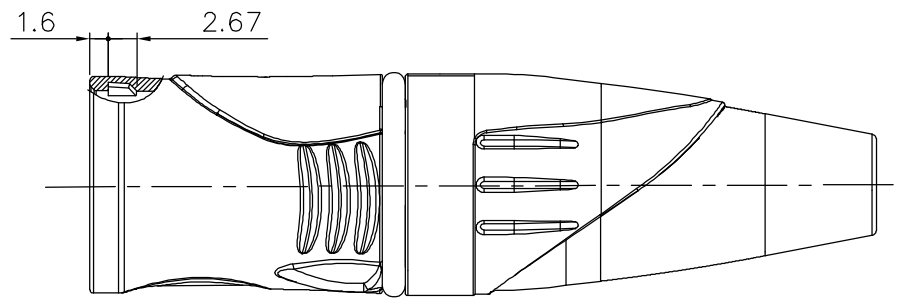
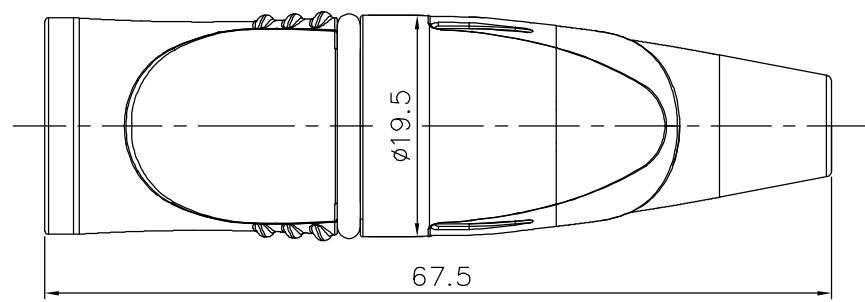
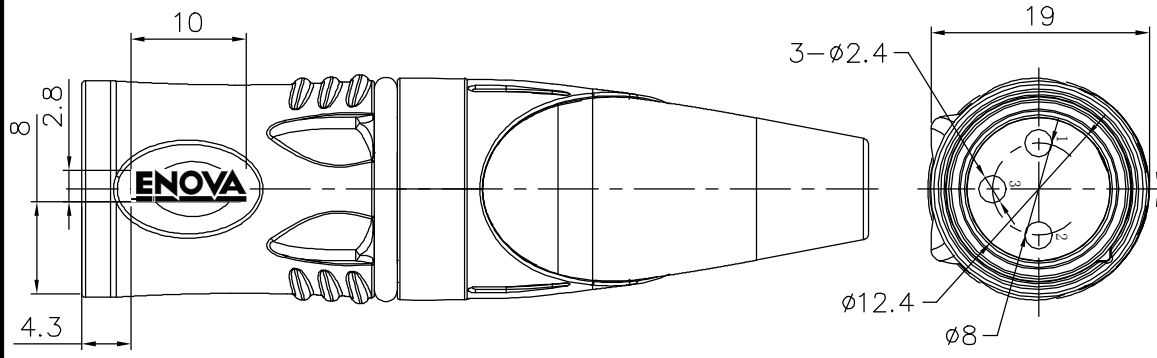
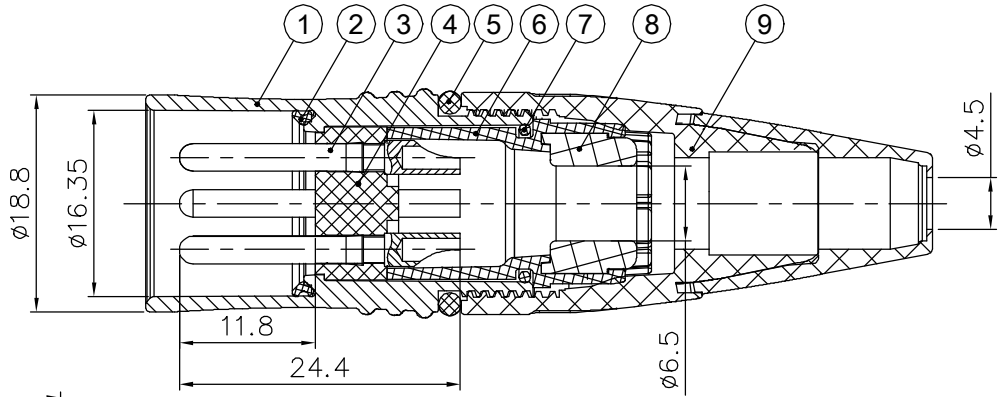


1 2 3 4 5 6 7 8

REVISIONS		
ISS	ZONE	DESCRIPTION\PER REQUEST\DATE
V	OPEN	Open drawings to customers



9	CAP+BOOT	PA6+TPR	BK+OR	1	
8	WATERPROOF	NBR	BLACK	1	
7	O-WASHER	NBR	BLACK	1	
6	CABLE CLAMP	PA6	WHITE	1	
5	O-WASHER	SILICON	BLACK	1	
4	INSULATOR	PA	BLACK	1	
3	PIN	H59-1	SILVER	3	
2	O-WASHER	SILICON	ORANGE	1	
1	DIE-CAST SHELL	ZZnAL4-1	Electro-coating black)	1	
NO.	DESCRIPTION	MATERIAL	FINISH	Q'TY	DRAWING NO.

DIMENSIONS ARE IN MILLIMETERS  
 UNLESS OTHERWISE SPECIFIED  
 TOLERANCES  
 ANGLES = ±5°  
 UP TO 6 = ±0.2  
 6-40 = ±0.4  
 40-120 = ±0.6  
 120-315 = ±1  
 ABOVE 315 = ±1.6

APPROVED	DATE
CHECKED	DATE
DRAWN HUHAONAN	DATE 2019-8-27
FILE NO.	
ERP LINK:	

<b>Connector Distribution GmbH</b>	
TITLE WATERPROOF 3P XLR MALE CONNECTOR PLATED SILVER PIN	
PART NO. XL23MB-W	REV. A1

1 2 3 4 5 6 7 8