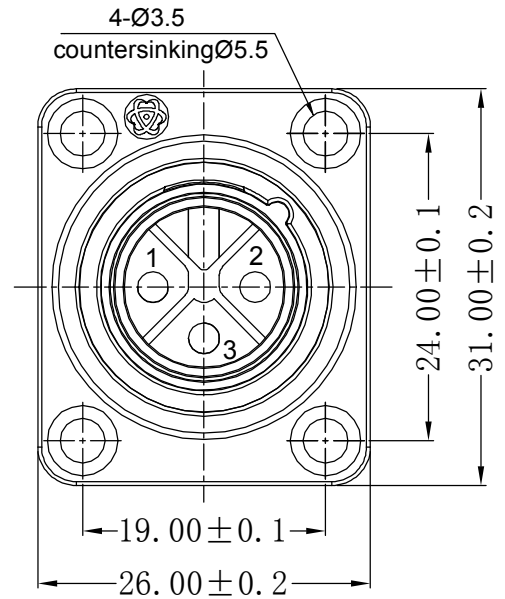
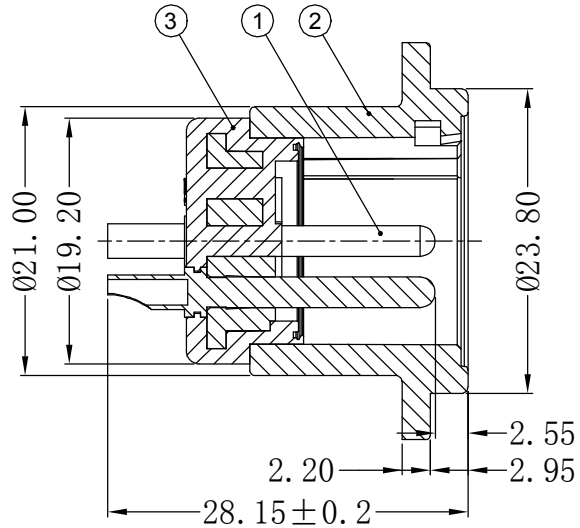
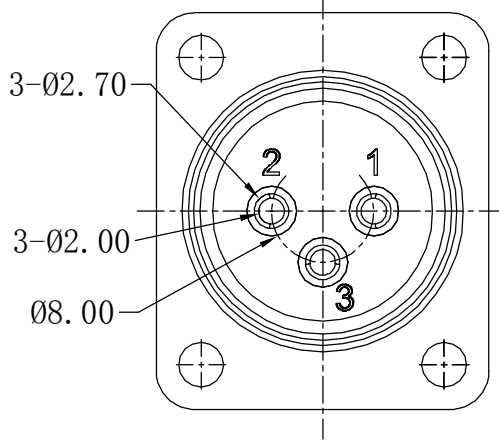
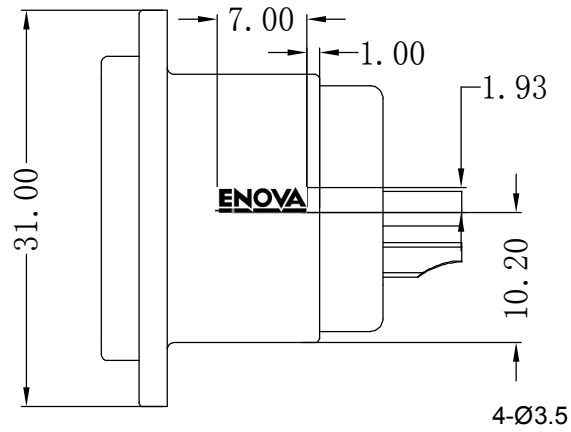


REVISIONS		
ISS	ZONE	DESCRIPTION\PER REQUEST\DATE
V	OPEN	Open drawings to customers



NO.	DESCRIPTION	MATERIAL	FINISH	Q'TY	DRAWING NO.
3	ENCAPSULATE	TPR	ORANGE	1	
2	PLASTIC BASE	PA	SILVER	1	
1	PIN	H59-1	SILVER	3	

DIMENSIONS ARE IN MILLIMETERS	
UNLESS OTHERWISE SPECIFIED TOLERANCES	
ANGLES = ±5°	
UP TO 6 = ±0.2	
6-40 = ±0.4	
40-120 = ±0.6	
120-315 = ±1	
ABOVE 315 = ±1.6	
THIRD_ANGLE	
SCALE	2/1

APPROVED	DATE
CHECKED	DATE
DRAWN HAONANHU	DATE 2019-8-27
FILE NO.	
ERP LINK:	

Connector Distribution GmbH	
TITLE 3P XLR PANEL WATERPROOF CONNECTOR SILVER PLATED PIN	
PART NO. XL13MB-W	REV. A1