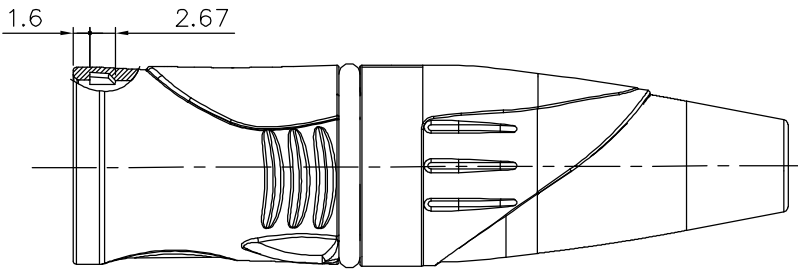
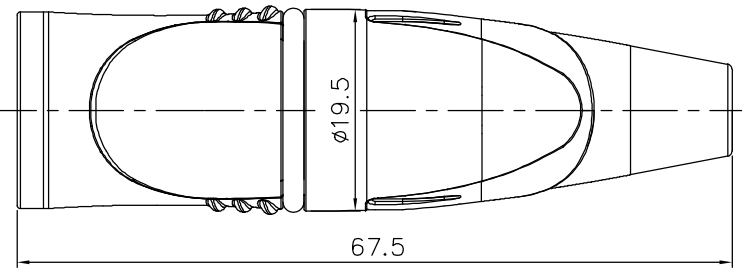
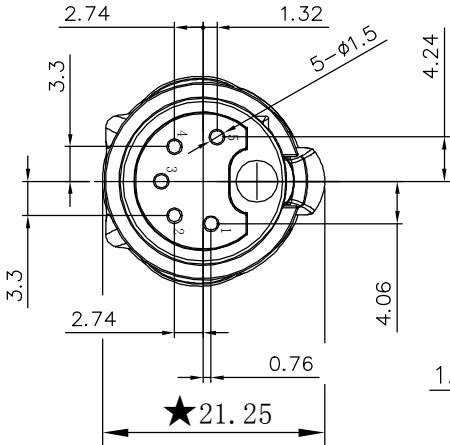
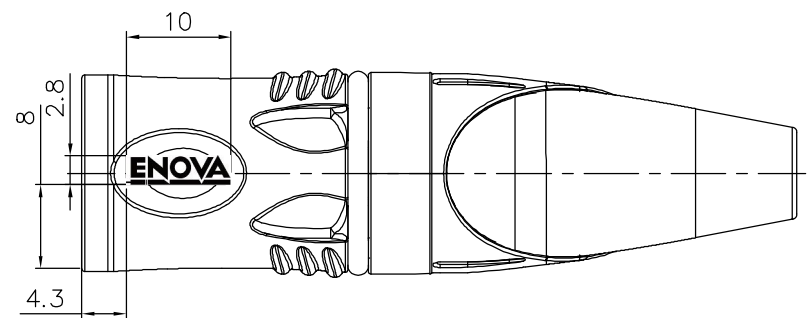
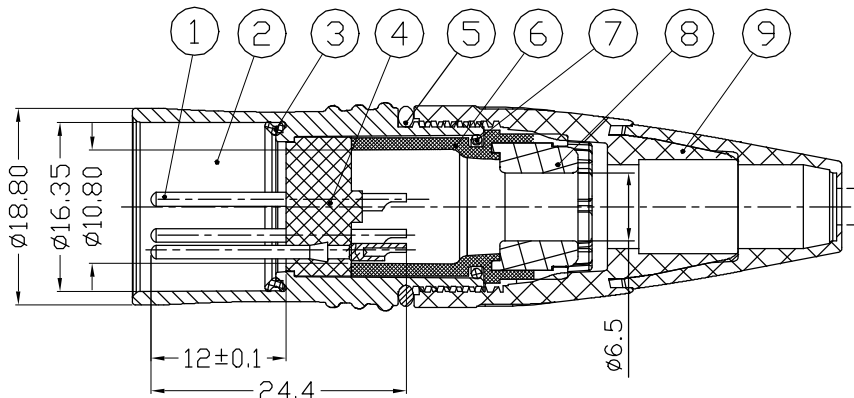


REVISIONS		
ISS	ZONE	DESCRIPTION\PER REQUEST\DATE
V	OPEN	Open drawings to customers



9	CAP+BOOT	PA6+TPR	BK+OR	1	
8	WATERPROOF	NBR	BLACK	1	
7	O-WASHER	NBR	BLACK	1	
6	CABLE CLAMP	PA6	WHITE	1	
5	O-WASHER	SILICON	BLACK	1	
4	O-WASHER	SILICON	ORANGE	1	
3	INSULATOR	PA	BLACK	1	
2	PIN	H59-1	SILVER	5	
1	DIE-CAST SHELL	ZZnAL4-1	Electro-coating black	1	
NO.	DESCRIPTION	MATERIAL	FINISH	Q'TY	DRAWING NO.

DIMENSIONS ARE IN MILLIMETERS	
UNLESS OTHERWISE SPECIFIED TOLERANCES	
ANGLES = ±5°	
UP TO 6 = ±0.2	
6-40 = ±0.4	
40-120 = ±0.6	
120-315 = ±1	
ABOVE 315 = ±1.6	
THIRD_ANGLE	
SCALE	1.5/1

APPROVED	DATE
CHECKED	DATE
DRAWN	DATE
HAONANHU	2019-8-20
FILE NO.	
ERP LINK:	

Connector Distribution GmbH		
TITLE		
WATERPROOF 5P XLR MALE CONNECTOR PLATED SILVER PIN		
PART NO.	XL25MB-W	REV. A1