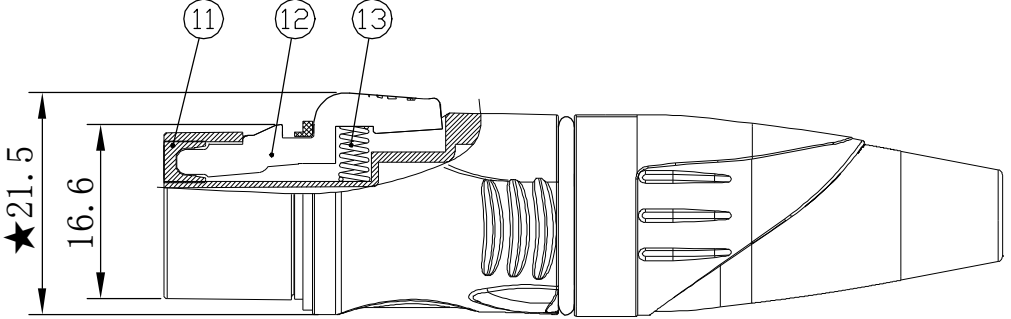
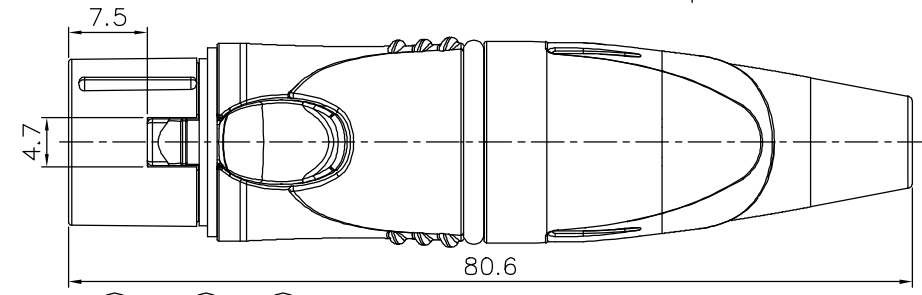
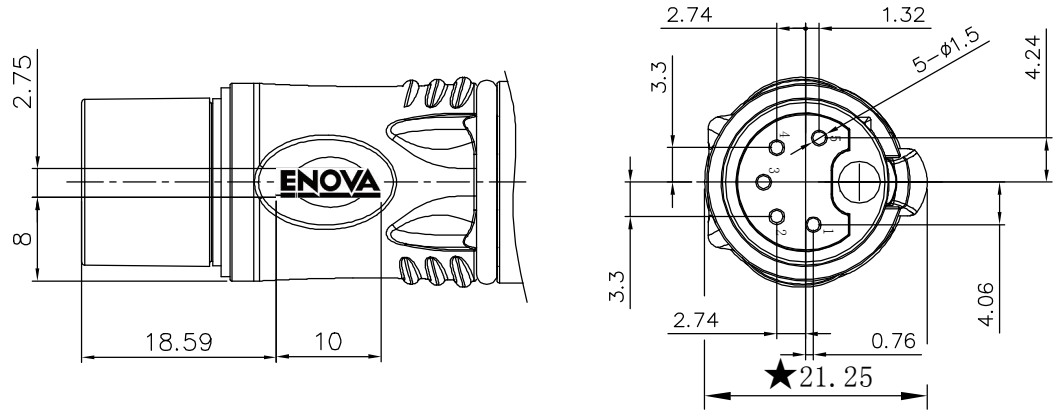
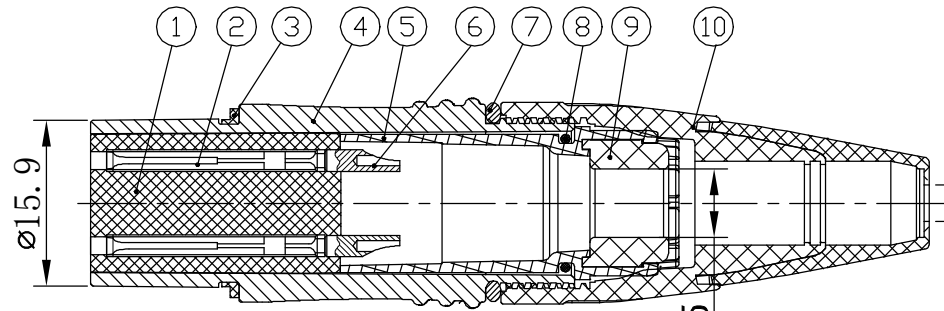


REVISIONS		
ISS	ZONE	DESCRIPTION\PER REQUEST\DATE
V	OPEN	Open drawings to customers



13	Spring	spring steel		1	
12	Push button	ZZnAL4-1	Black plated	1	
11	Jam	H59-1	Black zinc	1	
10	Cap+Boot	PA6+TPR	BK+GY	1	
9	Waterproof ring	BUNA-NRUBBER	BLACK	1	
8	T-Washer	BUNA-NRUBBER	BLACK	1	
7	O-WASHER	SILICONE	BLACK	1	
6	Pin	H59-1	SILVER	5	
5	Cable clamp	PA6	WHITE	1	
4	Die-cast shell	ZZnAL4-1	Black plated	1	
3	T-Washer	BUNA-NRUBBER	BLACK	1	
2	Female pin	PHOSPHOR BRONZE	SILVER	5	
1	Insulator	PA	BLACK	1	
NO.	DESCRIPTION	MATERIAL	FINISH	Q'TY	DRAWING NO.

DIMENSIONS ARE IN MILLIMETERS  
 UNLESS OTHERWISE SPECIFIED  
 TOLERANCES  
 ANGLES =  $\pm 5^\circ$   
 UP TO 6 =  $\pm 0.2$   
 6-40 =  $\pm 0.4$   
 40-120 =  $\pm 0.6$   
 120-315 =  $\pm 1$   
 ABOVE 315 =  $\pm 1.6$

THIRD\_ANGLE

SCALE 1.5/1

APPROVED \_\_\_\_\_ DATE \_\_\_\_\_  
 CHECKED \_\_\_\_\_ DATE \_\_\_\_\_  
 DRAWN HAONANHU DATE 2019-8-20  
 FILE NO. \_\_\_\_\_  
 ERP LINK: \_\_\_\_\_

**Connector Distribution GmbH**

TITLE  
**WATERPROOF 5P XLR FEMALE CONNECTOR  
 PLATED SILVER PIN**

PART NO. **XL25FB-W** REV. **A1**