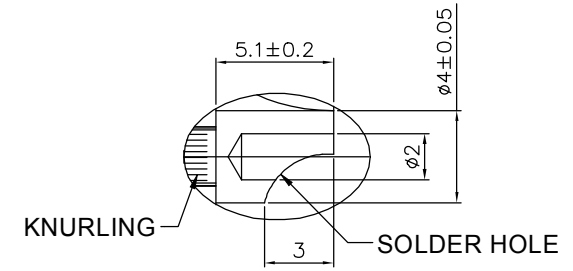
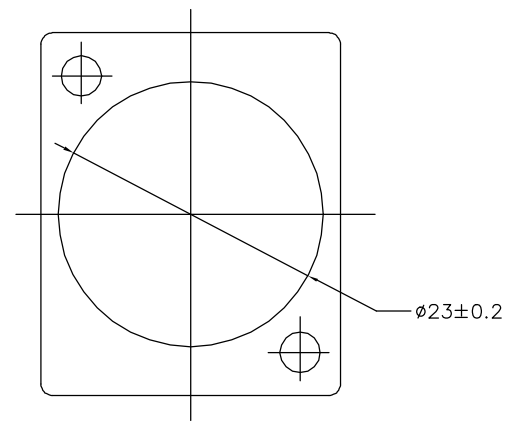
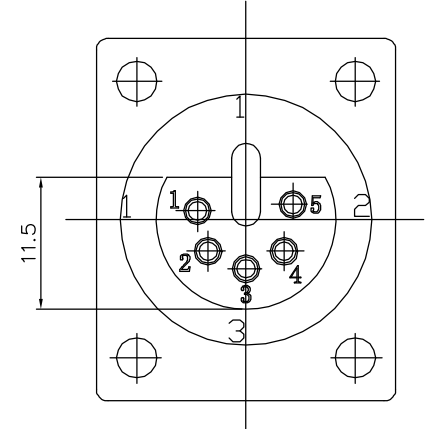
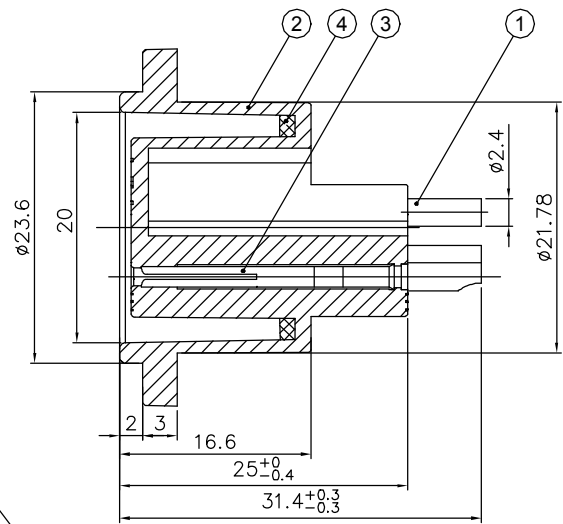
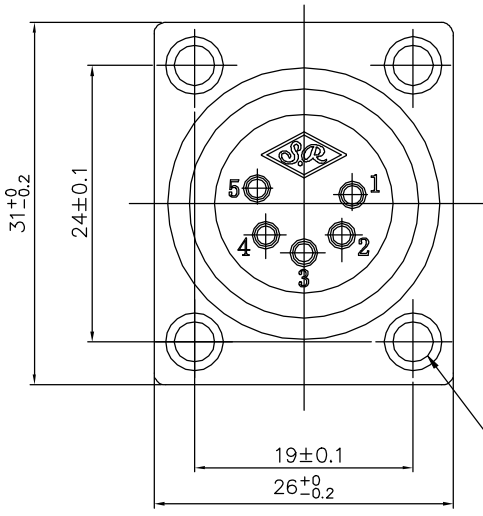
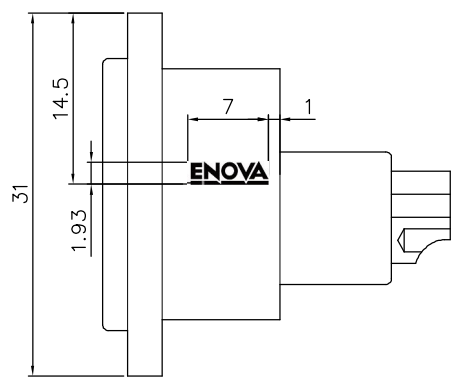


REVISIONS				
ISS	ZONE	DESCRIPTION	PER REQUEST	DATE
V	OPEN	Open drawings to customers		



A DETAIL (2/1)

NO.	DESCRIPTION	MATERIAL	FINISH		DRAWING NO.
4	O-WASHER	SILICON	ORANGE	1	
3	FEMALE PIN	PHOSPHOR BRONZE	SILVER	5	
2	BODY	PA	BLACK	1	
1	PIN	H59-1	SILVER	5	

DIMENSIONS ARE IN MILLIMETERS	
UNLESS OTHERWISE SPECIFIED TOLERANCES	
ANGLES = ±5°	
UP TO 6 = ±0.2	
6-40 = ±0.4	
40-120 = ±0.6	
120-315 = ±1	
ABOVE 315 = ±1.6	
THIRD_ANGLE	
SCALE	1.5/1

APPROVED	DATE
CHECKED	DATE
DRAWN	DATE
HAONANHU	2019-8-20
FILE NO.	
ERP LINK:	

Connector Distribution GmbH		
TITLE XLR FEMALE CHASSIS CONNECTOR, PLASTIC SOLDER PIN SILVER PLATED		
PART NO.	XL15FB-W	REV. A1