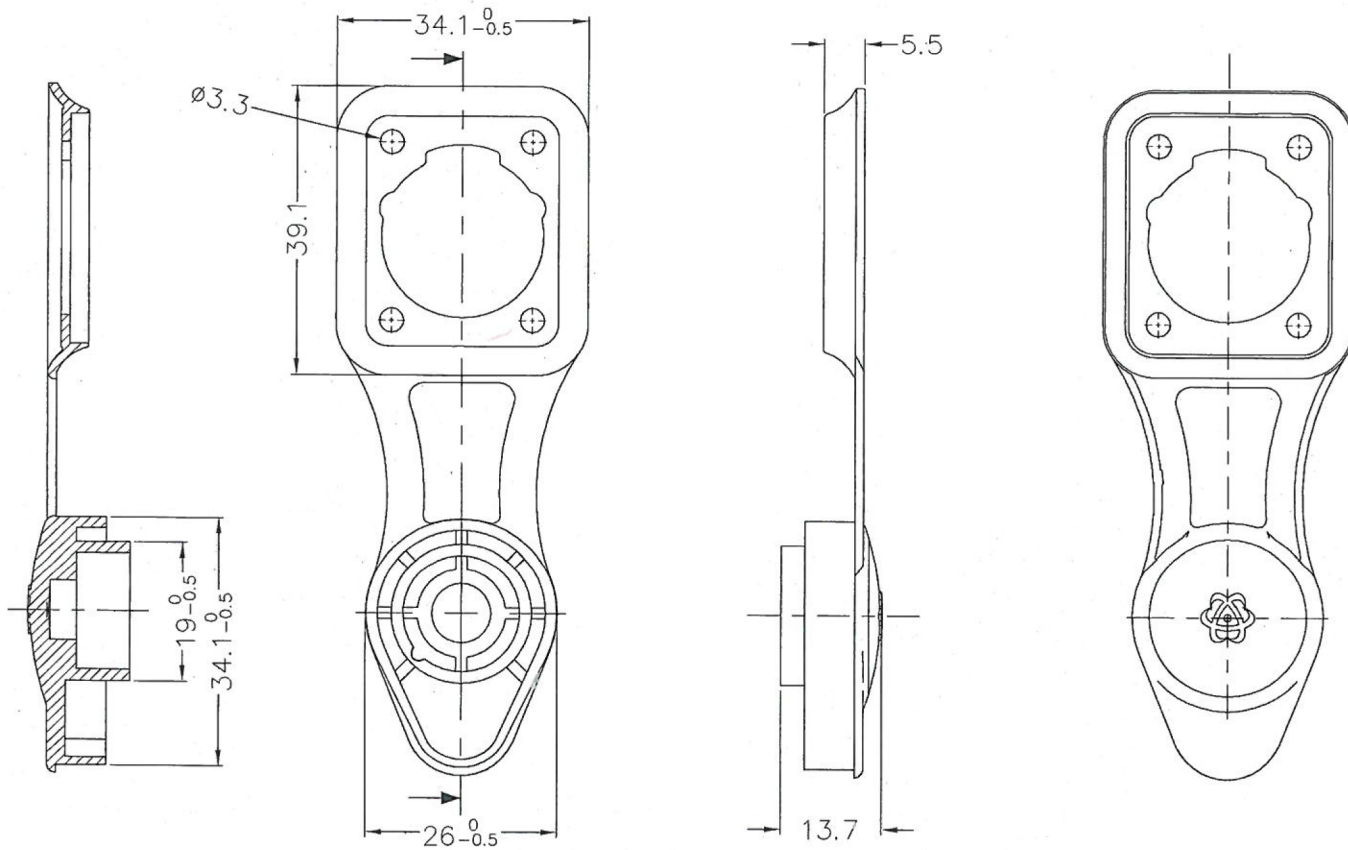


1 2 3 4 5 6 7 8

REVISIONS		
ISS	ZONE	DESCRIPTION/APER REQUEST/DATE
	OPEN	對客戶公開圖紙
	OPEN	對供應商公開圖紙
V	CLOSED	僅限廠內使用



MATERIAL	APPROVED	DATE	<b>ENOVA</b>			
	TPE	邓立朋				
FINISH	CHECKED	DATE	3rd ANGLE PROJECTION	SCALE	TOLERANCE	±0.3
	黑色 (BLACK)	许立朋		2022-01-06	1/1	±1°
DATE	FILE NO.	ERP LINK:	UNITS	mm	ANGLES	±1°
			PART NO.	XL-CAP-F-WP		REV. A1

1 2 3 4 5 6 7 8

F

E

D

C

B

A

F

E

D

C

B

A