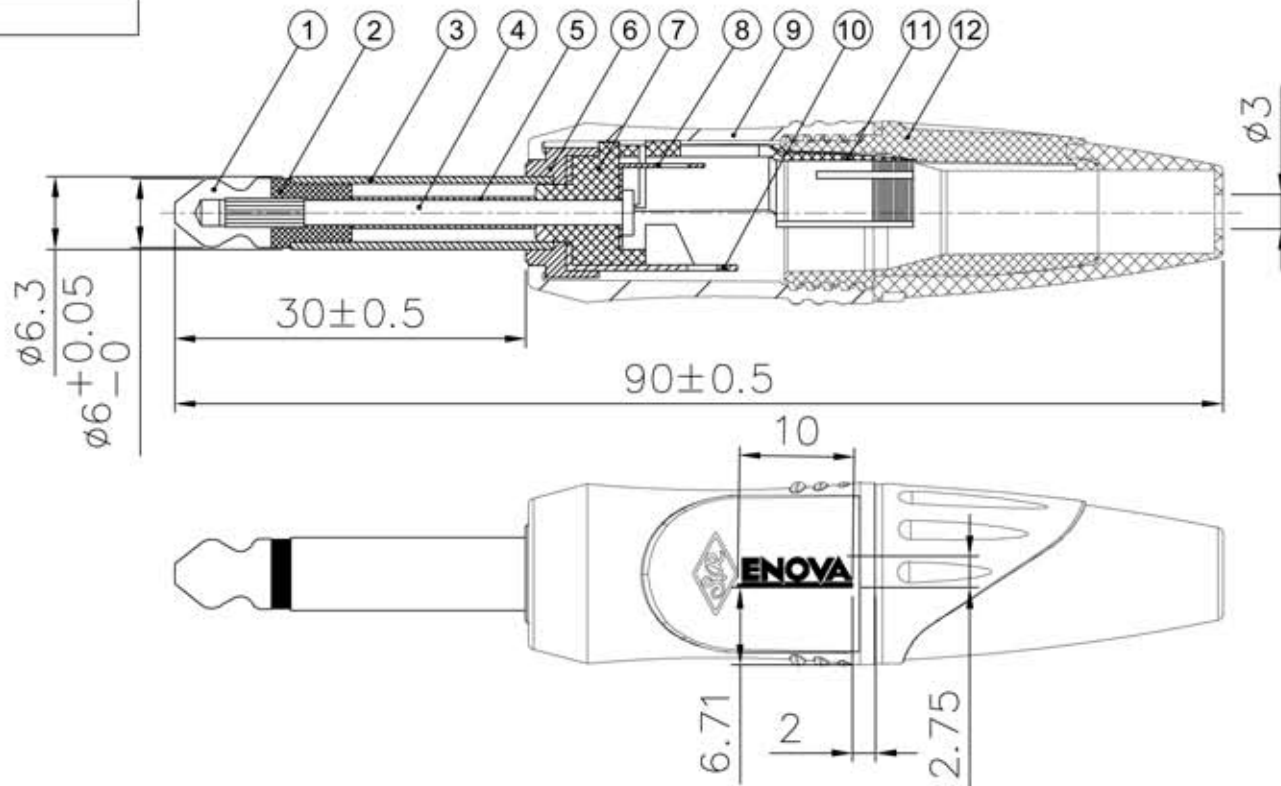


REVISIONS		
ISS	ZONE	DESCRIPTION\PER REQUEST\DATE
V	OPEN	Open drawings to customers



12	BOOT	PA66	BK/ORG	1	
11	CABLE CLAMP	POM	NATURE	1	
10	S-TERMINAL	H62		1	
9	DIE-CAST SHELL	ZZnAl4-1		1	
8	T-TERMINAL	H62		1	
7	INSULATOR	PA		1	
6	DIE-CAST BASE	ZZnAl4-1	NICKEL	1	
5	PLASTIC TUBE	PP		1	
4	BOLT	A3	ZINC	1	
3	SLEEVE	H62	NICKEL	1	
2	INSULATOR	PA66	ORG	1	
1	TIP	H59-1	NICKEL	1	
NO.	DESCRIPTION	MATERIAL	FINISH	Q'TY	DRAWING NO.

DIMENSIONS ARE IN MILLIMETERS  
UNLESS OTHERWISE SPECIFIED  
TOLERANCES  
ANGLES = ±5°  
UP TO 6 = ±0.2  
6-40 = ±0.4  
40-120 = ±0.6  
120-315 = ±1  
ABOVE 315 = ±1.6

THIRD\_ANGLE    
SCALE 1.5/1

APPROVED	DATE
CHECKED	DATE
DRAWN HAONANHU	DATE 2018-12-19
FILE NO.	
ERP LINK:	

Connector Distribution GmbH		TITLE	
		6.3mm MONO PLUG	
PART NO. PL22MB		REV.	A1