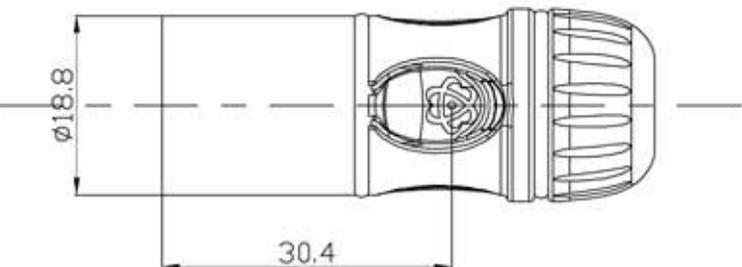
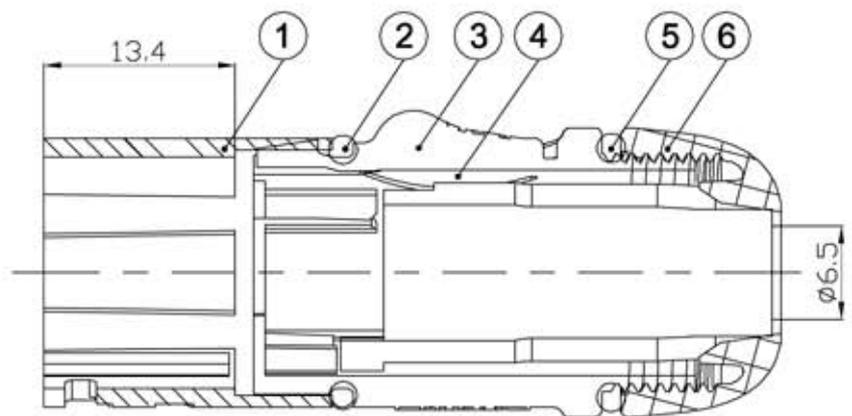
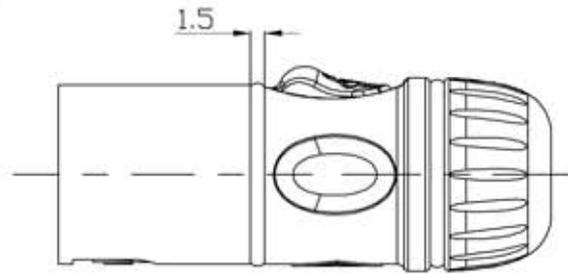
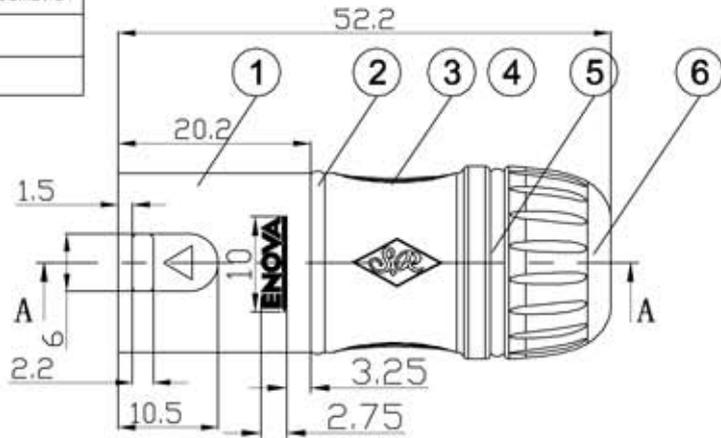


REVISIONS

ISS	ZONE	DESCRIPTION\PER REQUEST\DATE
V	OPEN	Open drawings to customers



SECTION A-A
(1.5/1)

NO.	DESCRIPTION	MATERIAL	FINISH	Q'TY	DRAWING NO.
7	T-RING	RUBBER	BLACK	1	
6	CAP	PA	BLACK	1	
5	O-RING	RUBBER	BLACK	1	
4	CABLE CLAMP	POM		1	
3	PLASTIC SHELL	PA	BLACK	1	
2	O-RING	RUBBER	RED	1	
1	SHELL	ZZnA4-1	Electrop horetic black	1	

DIMENSIONS ARE IN MILLIMETERS	
UNLESS OTHERWISE SPECIFIED	
TOLERANCES	
ANGLES	= ±5°
UP TO 6	= ±0.2
6-40	= ±0.4
40-120	= ±0.6
120-315	= ±1
ABOVE 315	= ±1.6
THIRD_ANGLE	
SCALE	1/1

APPROVED	DATE
CHECKED	DATE
DRAWN QINSUN	DATE 2020-01-03
FILE NO.	
ERP LINK:	

Connector Distribution GmbH	
TITLE RJ45COM, Compatible with Ether Connector	
PART NO.	RJ28MB-C5
REV.	A1