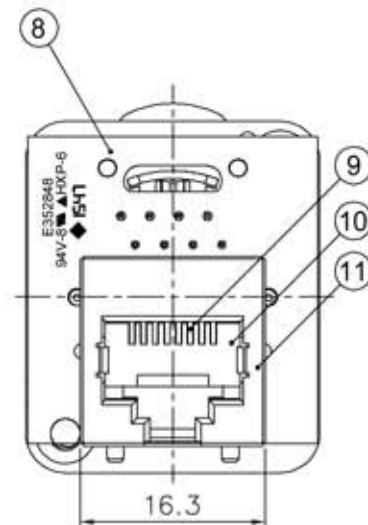
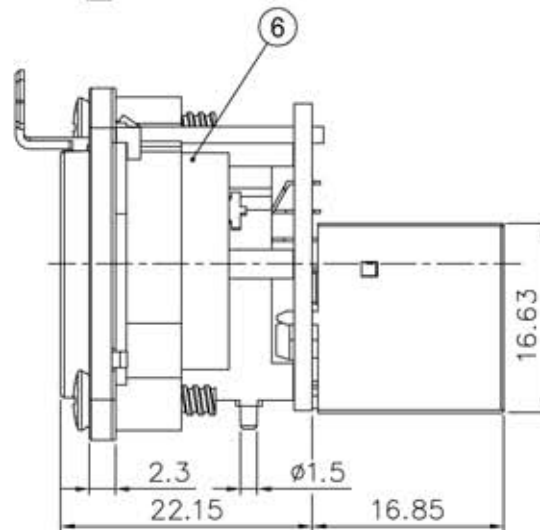
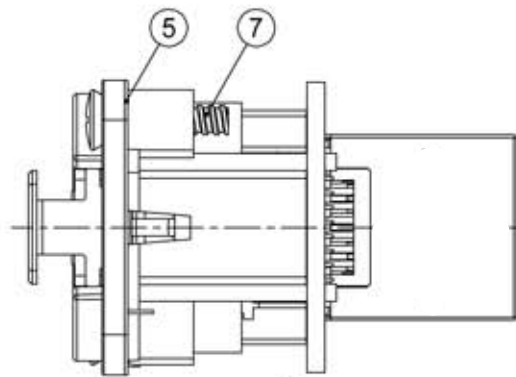
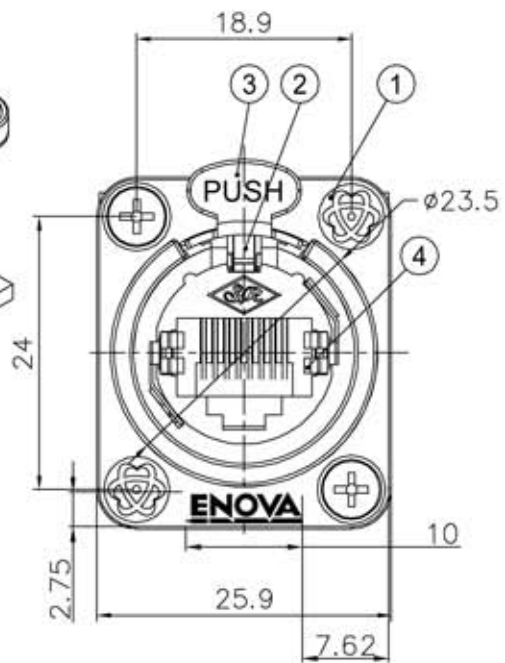
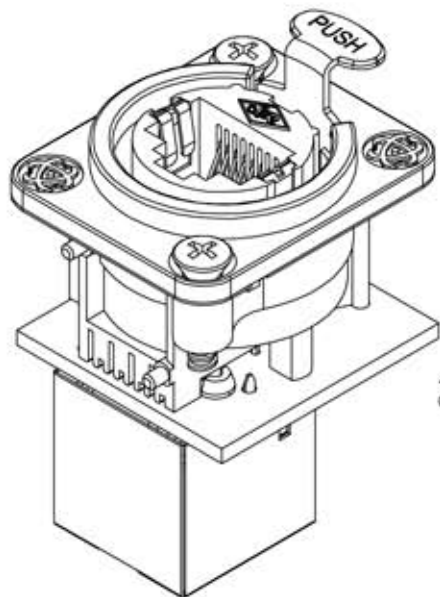


REVISIONS		
ISS	ZONE	DESCRIPTION\PER REQUEST\DATE
V	OPEN	Open drawings to customers



11	COPPER SHELL	C2680	Nickel	1	
10	INSULATOR	PBT	Black	1	
9	8P PIN	Phosphor Bronze		2	
8	PCB,T=1.6mm	FR-4		1	
7	SCREW	SUS304	Nickel	2	
6	PLASTIC BASE	PBT	Black	1	
5	METAL SHEET	H62	Bright tin	1	
4	GROUND	Phosphor Bronze	Bright tin	2	
3	PUSH BUTTON	SUS304	Nickel	1	
2	LATCH	65Mn	Blackening	1	
1	DIE-CAST SHELL	ZZnAL4-0	Nickel	1	
NO.	DESCRIPTION	MATERIAL	FINISH	Q'TY	DRAWING NO.

DIMENSIONS ARE IN MILLIMETERS	
UNLESS OTHERWISE SPECIFIED	
TOLERANCES	
ANGLES = ±5°	
UP TO 6 = ±0.2	
6-40 = ±0.4	
40-120 = ±0.6	
120-315 = ±1	
ABOVE 315 = ±1.6	
THIRD_ANGLE	
SCALE	1.5/1

APPROVED	DATE
CHECKED	DATE
DRAWN QINSUN	DATE 2020-01-03
FILE NO.	
ERP LINK:	

Connector Distribution GmbH	
TITLE ETHERNET CAT5E RJ45 CONNECTOR	
PART NO.	RJ18FN-C5F
REV.	A1