

MAGNOMATIC

JAVELIN



User Manual

US SKU#:
UPC#:

RSJ150
810008261545



©2023 MAGMATIC EFFECTS all rights reserved. Information, specifications, diagrams, images, and instructions herein are subject to change without notice. **MAGMATIC EFFECTS** logo and identifying product names and numbers herein are trademarks of **MAGMATIC EFFECTS**. Copyright protection claimed includes all forms and matters of copyrightable materials and information now allowed by statutory or judicial law or hereinafter granted. Product names used in this document may be trademarks or registered trademarks of their respective companies and are hereby acknowledged. All non-MAGMATIC brands and product names are trademarks or registered trademarks of their respective companies.

MAGMATIC EFFECTS and all affiliated companies hereby disclaim any and all liabilities for property, equipment, building, and electrical damages, injuries to any persons, and direct or indirect economic loss associated with the use or reliance of any information contained within this document, and/or as a result of the improper, unsafe, insufficient and negligent assembly, installation, rigging, and operation of this product.

MAGMATIC EFFECTS | 6122 S. Eastern Ave. | Los Angeles, CA. 90040
 323-582-3322 | 323-832-9142 fax | www.elationlighting.com | sales@magmaticeffects.com

Elation Professional B.V. | Junostraat 2 | 6468 EW Kerkrade, The Netherlands
 +31 45 546 85 66 | +31 45 546 85 96 fax | www.elationlighting.eu | info@elationlighting.eu

Elation Professional Mexico | AC Santa Ana 30 | Parque Industrial Lerma, Lerma, Mexico 52000
 +52 (728) 282-7070

DOCUMENT VERSION

Due to additional product features and/or enhancements, an updated version of this document may be available online.

Please check www.elationlighting.com for the latest revision/update of this manual before beginning installation and/or programming.

Date	Document Version	Software Version ≥	DMX Channel Mode	Notes
10/14/20	1.0	1.0	1 / 4 / 7 / 12 Channels	Initial Release
12/11/20	1.1	1.0	1 / 4 / 7 / 12 Channels	Added Fog Burst to Specifications
02/26/21	1.2	N/C	No Change	Updated Dim Drawings & Specifications
03/12/21	1.3	N/C	No Change	Updated Specifications, added Optional Accessories, Added FCC Statement
08/18/21	1.4	N/C	No Change	Added Operation section, updated Safety Guidelines and Specifications.
08/25/21	1.5	N/C	No Change	Updated Optional Accessories.
03/21/22	1.6	N/C	No Change	Updated Specifications Page
05/25/22	1.7	N/C	No Change	Updated System Menu, Specifications
10/04/22	1.8	N/C	No Change	Updated Specifications
12/02/22	1.9	N/C	No Change	Added RDM
12/27/23	2.0	N/C	No Change	Updated Specifications

CONTENTS

General Information	4
Limited Warranty (USA Only)	5
Warranty Returns (USA Only)	6
Safety Guidelines	7
Overview	9
Installation	10
Operation	11
Remote Device Management (RDM)	12
Control Panel	13
System Menu	14
DMX Channel Functions & Values	18
LED Layout	19
Macros Table	20
Color List	21
Dimensional Drawings	22
Trouble Shooting Cleaning & Maintenance	23
Specifications	24
FCC Statement	25

GENERAL INFORMATION

INTRODUCTION

Please read and understand the instructions in this manual carefully and thoroughly before attempting to operate this device. These instructions contain important safety and use information.

This product is intended to be used by professionally trained personnel only and is not suitable for private use.

UNPACKING

Every device has been thoroughly tested and has been shipped in perfect operating condition. Carefully check the shipping carton for damage that may have occurred during shipping. If the carton is damaged, carefully inspect the device for damage, and be sure all accessories necessary to install and operate the device have arrived intact. In the event that damage has been found or parts are missing, please contact our customer support team for further instructions. Please do not return this device to your dealer without first contacting customer support. Please do not discard the shipping carton in the trash. Please recycle whenever possible.

BOX CONTENTS

Twist-locking power cable

CUSTOMER SUPPORT

Contact **MAGMATIC** customer service for any product related service and support needs.

Also visit forums.elationlighting.com with questions, comments, or suggestions.

ELATION SERVICE USA - Monday - Friday 8:00am to 4:30pm PST

323-582-3322 | Fax 323-832-9142 | sales@magmaticeffects.com

ELATION SERVICE EUROPE - Monday - Friday 08:30 to 17:00 CET

Voice: +31 45 546 85 63 | Fax: +31 45 546 85 96 | support@elationlighting.eu

REPLACEMENT PARTS: Please visit parts.elationlighting.com



IMPORTANT NOTICE!

THERE ARE NO USER SERVICEABLE PARTS INSIDE THIS UNIT. DO NOT ATTEMPT ANY REPAIRS YOURSELF. DOING SO WILL VOID YOUR MANUFACTURER'S WARRANTY. DAMAGES RESULTING FROM MODIFICATIONS TO THIS FIXTURE AND/OR THE DISREGARD OF SAFETY INSTRUCTIONS AND GUIDELINES IN THIS MANUAL VOID THE MANUFACTURER'S WARRANTY AND ARE NOT SUBJECT TO ANY WARRANTY CLAIMS AND/OR REPAIRS.

NEVER POINT OR AIM A FOG MACHINE TOWARDS PEOPLE OR THEIR CLOTHING. THIS UNIT EMITS HOT VAPOR AND SHOULD BE USED WITH THE SAME CARE THAT YOU WOULD OBSERVE WHEN USING AN ELECTRIC KETTLE OR IRON.

LIMITED WARRANTY (USA ONLY)

A. Magmatic Effects hereby warrants, to the original purchaser, Magmatic products to be free of manufacturing defects in material and workmanship for a period of two years (730 days) from the original date of purchase. This warranty excludes discharge lamps and all product accessories. This warranty shall be valid only if the product is purchased within the United States of America, including possessions and territories. It is the owner's responsibility to establish the date and place of purchase by acceptable evidence, at the time service is sought.

B. For warranty service, send the product only to the Magmatic Effects factory. All shipping charges must be pre-paid. If the requested repairs or service (including parts replacement) are within the terms of this warranty, Magmatic Effects will pay return shipping charges only to a designated point within the United States. If any product is sent, it must be shipped in its original package and packaging material. No accessories should be shipped with the product. If any accessories are shipped with the product, Magmatic Effects shall have no liability what so ever for loss and/or or damage to any such accessories, nor for the safe return thereof.

C. This warranty is void if the product serial number and/or labels are altered or removed; if the product is modified in any manner which Magmatic Effects concludes, after inspection, affects the reliability of the product; if the product has been repaired or serviced by anyone other than the Magmatic Effects factory unless prior written authorization was issued to purchaser by Magmatic Effects; if the product is damaged because not properly maintained as set forth in the product instructions, guidelines and/or user manual.

D. This is not a service contract, and this warranty does not include any maintenance, cleaning or periodic check-up. During the periods as specified above, Magmatic Effects will replace defective parts at its expense, and will absorb all expenses for warranty service and repair labor by reason of defects in material or workmanship. The sole responsibility of Magmatic Effects under this warranty shall be limited to the repair of the product, or replacement thereof, including parts, at the sole discretion of Magmatic Effects. All products covered by this warranty were manufactured after January 1, 1990, and bear identifying marks to that effect.

E. Magmatic Effects reserves the right to make changes in design and/or performance improvements upon its products without any obligation to include these changes in any products theretofore manufactured.

F. No warranty, whether expressed or implied, is given or made with respect to any accessory supplied with the products described above. Except to the extent prohibited by applicable law, all implied warranties made by Magmatic Effects in connection with this product, including warranties of merchantability or fitness, are limited in duration to the warranty periods set forth above. And no warranties, whether expressed or implied, including warranties of merchantability or fitness, shall apply to this product after said periods have expired. The consumer's and/or dealer's sole remedy shall be such repair or replacement as is expressly provided above; and under no circumstances shall Magmatic Effects be liable for any loss and/or damage, direct and/or consequential, arising out of the use of, and/or the inability to use, this product.

G. This warranty is the only written warranty applicable to Magmatic Effects products and supersedes all prior warranties and written descriptions of warranty terms and conditions heretofore published.

WARRANTY RETURNS (USA ONLY)

To obtain warranty service, a Return Material Authorization (RMA) number must first be obtained from MAGMATIC. It is the Customer's responsibility to provide product proof of purchase and serial number by acceptable evidence such as an invoice copy or an approved MAGMATIC Extended Warranty Certificate ("EWC") and any relevant maintenance records at the time warranty service is sought. Failure to provide acceptable evidence of product proof of purchase or EWC and any relevant maintenance records may be cause for denial of warranty service.

Products returned for warranty service must be sent without any accessories (i.e., power, data, and safety cables, brackets, clamps, rigging hardware, frost filters, gel frames, barn doors, lenses, hoses, nozzles, rack mounting hardware, etc.), must be boxed using the original and/or suitable packaging materials (double-box and foam) that provides ample product protection for ground and/or air freight transit, and must be shipped freight pre-paid and insured to MAGMATIC in Los Angeles, CA or a MAGMATIC Authorized Service Center. The RMA number must be clearly written on the outside of the return box, and a brief description of the problem and the RMA number must be documented and included in the box.

Products returned for warranty service without an RMA number clearly marked on the outside of the package will be refused and returned to the shipper at the Customer's expense. Products returned for warranty service, which are received damaged due to inadequate and/or improper packaging and/or due to damage caused by the shipping carrier, may incur additional repair charges before warranty service begins and/or may void this warranty. If any product accessories (included and/or optional) are shipped with the product, MAGMATIC and/or the MAGMATIC Authorized Service Center shall have no liability what so ever for the loss and/or damage to any such accessories, nor the safe return thereof. If the requested warranty repairs or service (including parts replacement) are within the terms of this warranty, MAGMATIC will pay return ground transportation shipping charges to a single designated point within the United States.

SAFETY GUIDELINES

This fixture is a sophisticated piece of electronic equipment. To guarantee smooth operation, it is important to follow all instructions and guidelines in this manual. Magmatic Effects is not responsible for injury and/or damages resulting from the misuse of this fixture due to the disregard of the information printed in this manual. Only qualified and/or certified personnel should perform installation of this fixture and only the original rigging parts included with this fixture should be used for installation. Any modifications to the fixture and/or the included mounting hardware will void the original manufacturer's warranty and increase the risk of damage and/or personal injury.



PROTECTION CLASS 1 - FIXTURE MUST BE PROPERLY GROUNDED.



THERE ARE NO USER SERVICEABLE PARTS INSIDE THIS UNIT. DO NOT ATTEMPT ANY REPAIRS YOURSELF. DOING SO WILL VOID YOUR MANUFACTURER'S WARRANTY. DAMAGES RESULTING FROM MODIFICATIONS TO THIS DEVICE AND/OR THE DISREGARD OF SAFETY INSTRUCTIONS AND GUIDELINES IN THIS MANUAL VOID THE MANUFACTURER'S WARRANTY AND ARE NOT SUBJECT TO ANY WARRANTY CLAIMS AND/OR REPAIRS.



**DO NOT PLUG THIS UNIT INTO A DIMMER PACK
DO NOT REMOVE THE COVER UNDER ANY CONDITIONS
KEEP UNIT IN AN UPRIGHT POSITION
NEVER OPERATE THIS UNIT WITH THE COVER REMOVED
UNPLUG POWER DURING LONG PERIODS OF NON-USE
ENSURE TANK IS EMPTY BEFORE STORAGE OR TRANSPORT
DO NOT MOVE WHEN FILLED WITH FLUID
DISCONNECT POWER BEFORE ADDING FLUID OR PERFORMING MAINTENANCE**



**FOR USE IN INDOOR / DRY LOCATIONS ONLY
DO NOT EXPOSE DEVICE TO RAIN AND/OR MOISTURE
PLACE UNIT IN A WELL VENTILATED AREA
ALLOW 40" (100CM) ABOVE AND AROUND THE UNIT FOR PROPER VENTILATION.**

IP20

**PROTECTED AGAINST INTRUSION OF SOLID THE SIZE OF A HUMAN FINGER OR LARGER.
NOT PROTECTED AGAINST LIQUID EXPOSURE OF ANY KIND!**

SAFETY GUIDELINES

IMPORTANT SAFETY INSTRUCTIONS. READ THESE INSTRUCTIONS THOROUGHLY BEFORE USE, AND SAVE THEM FOR FUTURE REFERENCE.

CAUTION:

- Risk of burn, fire, or electric shock.
- For indoor use only.
- Please read the instruction manual carefully before use.
- Do not immerse in liquid.
- Not for space heating use.

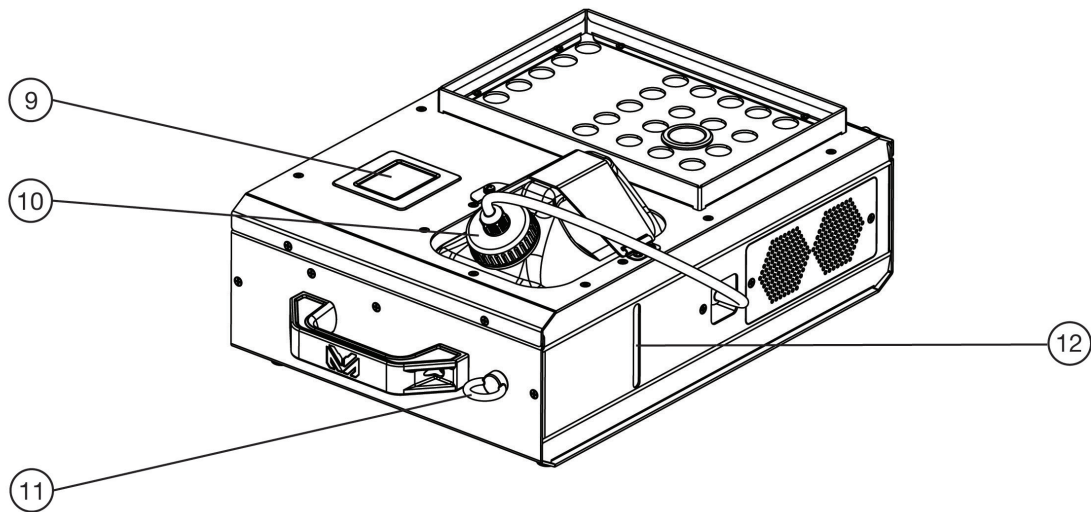
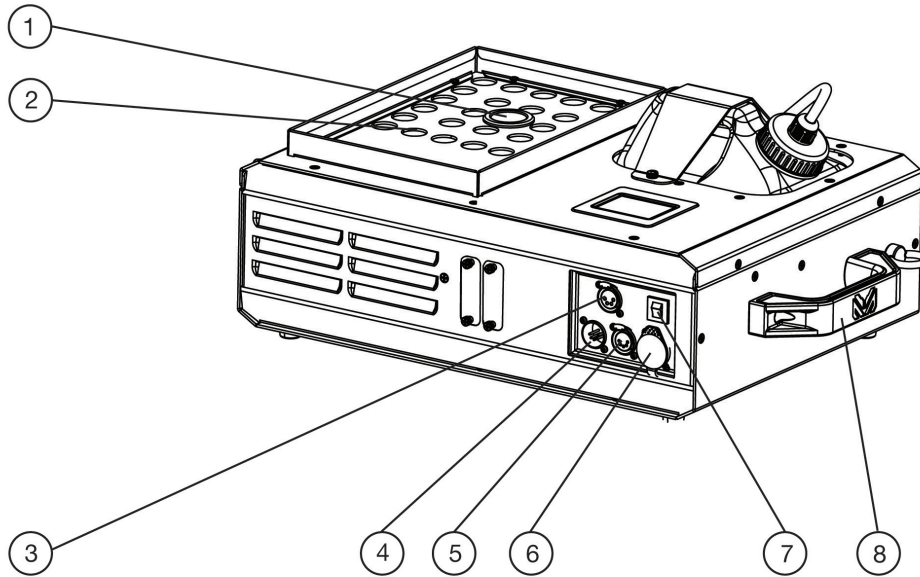
WARNING: To prevent risk of personal injury, fire, and electric shock:

- Never leave unit unattended while plugged in. Unplug device when not in use.
- Read all important safety instructions and cautions before attempting to use.
- Connect only to a properly grounded power outlet.
- Place product on a flat, level, HARD surface and connect the cord to prevent the product from tipping or overturning.
- For use in covered areas only! Keep unit dry, and do not expose to rain, moisture, or liquid immersion.
- Leave enough space for adequate ventilation. Keep the device cool and away from other objects.
- Do not operate the device without fog liquid in the reservoir.
- Use caution when filling the fluid reservoir in order to avoid spillage, as spilled liquid can result in electrical shock.
- Do not use if liquid spills into or onto the unit, and allow the device to dry completely before attempting usage.
- Do not overfill the fluid reservoir.
- Keep away from flames and flammable or explosive substances.
- Never pour flammable liquids, such as gas, perfume, etc, into the fog machine.
- Keep the device and fog fluid out of reach of children.
- Use only under adult supervision.
- Do not direct fog output in the direction of people or open flame.
- Stay at least 20 inches (50cm) from the output nozzle on the front of the unit.
- Do not obstruct the output nozzle.
- Do not open the unit for any reason. There are no user serviceable parts inside, and all maintenance and repair procedures should be referred to an authorized vendor or technician.
- Only a certified electrician may replace the power cord.
- Clean the unit prior to storage to avoid damage.

POWER SUPPLY CORD:

- A short power supply cord (or short detachable power-supply cord) is provided to reduce the risk of a person becoming entangled in or tripping over the cord.
- Extension cords (or long detachable power-supply cords) are available and may be used as long as care is exercised during use.
- If an extension cord (or long detachable power-supply cord) is used, follow the guidelines below:
 1. The indicated electrical rating of the cord should meet or exceed the rating of the device.
 2. If the device is of the grounded type, the cord must use a grounding type 3-wire cord.
 3. The cord should be routed in such a way as not to cause a tripping hazard or result in unintentional snagging or pulling of the cord, especially in the presence of children.

OVERVIEW



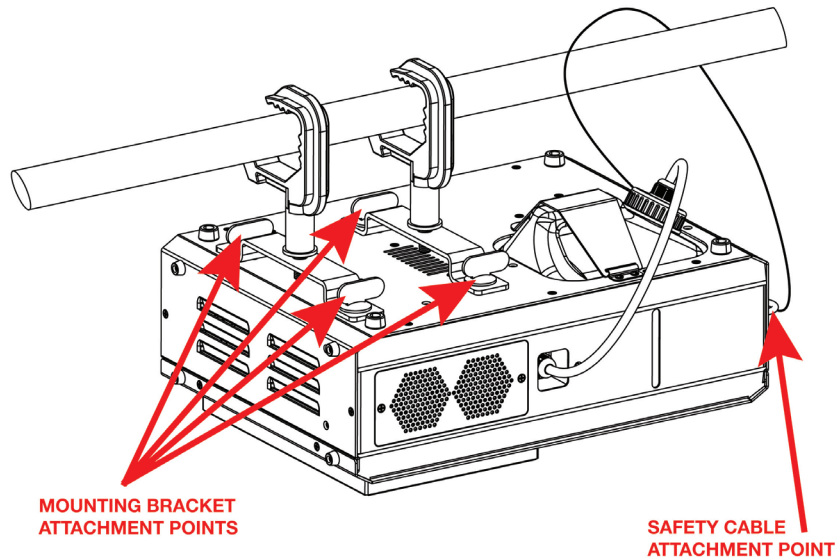
- 1. Fog Outlet
- 2. LED Array
- 3. Wired Remote Port
- 4. DMX In
- 5. DMX Out
- 6. Power In

- 7. Breaker
- 8. Carry Handle
- 9. Touch Screen Display
- 10. Tank Fill Cap
- 11. Safety Cable Attachment
- 12. Tank Level Indicator

INSTALLATION

CLAMP INSTALLATION

This device features attachment points for two (2) omega brackets (SKU: SY2504F-B20) located on the device underside, near the underside vents. A safety cable rigging point is also included, located beside the carry handle (see the illustration below). When mounting this unit to truss, be sure to secure appropriately rated omega brackets (not included) to the mounting bracket attachment points and attach a separate **SAFETY CABLE** of the appropriate rating to the safety cable rigging point.



SAFETY CABLE:
ALWAYS ATTACH A SAFETY CABLE WHENEVER INSTALLING THIS UNIT IN A SUSPENDED ENVIRONMENT TO ENSURE THAT THE DEVICE WILL NOT FALL IF THE CLAMPS FAIL.

RIGGING

Overhead rigging requires extensive experience, including but not limited to: calculating working load limits, understanding the installation material being used, and periodic safety inspection of all installation material and the device. If you lack these qualifications, do not attempt the installation yourself. Improper installation can result in bodily injury.

OPERATION

FOG FLUID

Fill tank only with approved **Atmosity Flash Fog Fluid (AFF-4L)** or **Atmosity Extreme Filtered Fog Fluid (AEF-4L)**.

WARM UP

Allow the device 540 seconds (9 minutes) to warm up after initial power up or refilling the fluid tank.

FOG DURATION

While the fog duration setting can be set as high as 250 seconds, the individual bursts of continuous fog output will only occur for a maximum of 8 seconds. For example, when the user sets a duration of 250 seconds, this does NOT mean that the device will be emitting fog continuously for the entire 250-second period. Rather, the device will produce a series of shorter fog bursts, each lasting up to 8 seconds, throughout the 250-second period.

REMOTE DEVICE MANAGEMENT (RDM)

NOTE: In order for RDM to work properly, RDM enabled equipment must be used throughout the entire system, including DMX data splitters and wireless systems.

Remote Device Management (RDM) is a protocol that sits on top of the DMX512 data standard for lighting, allowing the DMX systems of the fixtures to be modified and monitored remotely. This protocol is ideal for instances in which a unit is installed in a location that is not easily accessible.

With RDM, the DMX512 system becomes bi-directional, allowing a compatible RDM enabled controller to send out a signal to devices on the wire, as well as allowing the fixture to respond (known as a GET command). The controller can then use its SET command to modify settings that would typically have to be changed or viewed directly via the unit's display screen, including the DMX Address, DMX Channel Mode, and Temperature Sensors.

FIXTURE RDM INFORMATION:

RDM Code	Device Model ID	Personality ID
22A6H	1420	1-channel (1) 4-channel (2) 7-channel (3) 12-channel (4)

Please be aware that not all RDM devices support all RDM features, and therefore it is important to check beforehand to ensure that the equipment that you are considering includes all of the features that you require.

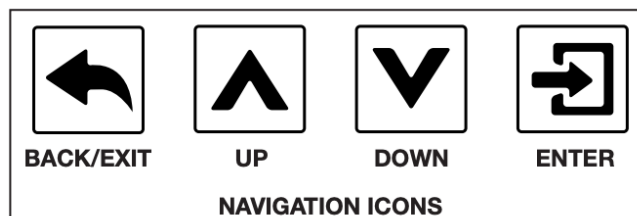
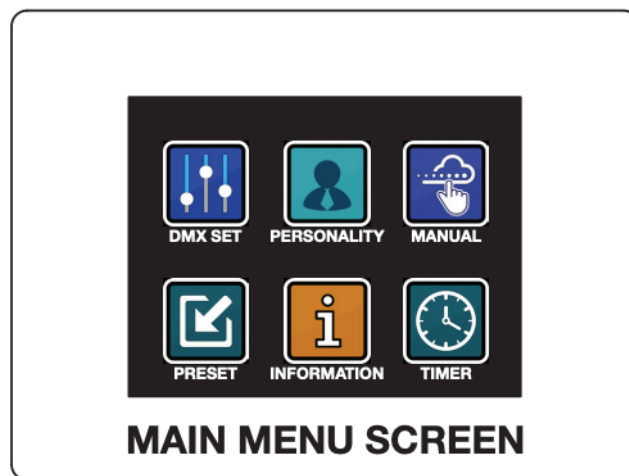
The following parameters are accessible in RDM on this device:

[0x1000] Identify Device
[0x00F0] DMX Start Address
[0x00C0] Software Version Label
[0x0060] Device Info
[0x0080] Device Model Description
[0x0081] Manufacturer Label
[0x0082] Device Label
[0x0050] Supported Parameters
[0x00E1] DMX Personality Description
[0x00E0] DMX Personality
[0x0200] Sensor Definition
[0x0201] Sensor Value



CONTROL PANEL

This unit includes a system menu with an easy to navigate touch screen control panel where all necessary settings and adjustments are made. When first powering on the machine, the main menu will be displayed (**see Main Menu Screen below**).

Press the main menu icon you would like to access. Use the **ENTER** button to access sub-menus and use the **UP** and **DOWN** buttons to make adjustments. Press the **ENTER** button to confirm your adjustments. You may exit to the main menu at any time without making any adjustments by pressing the **BACK/EXIT** button.



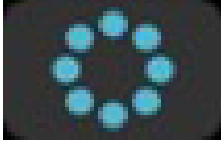
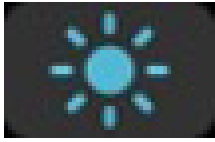
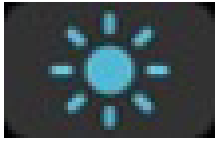

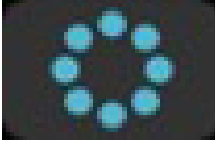
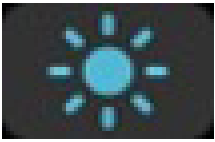
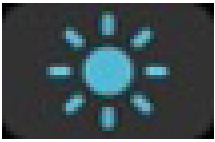


SYSTEM MENU



	DMX SET	DMX ADDR	1 - 512		
		DMX MODE	1-CH		
			4-CH		
			7-CH		
			12-CH		
	PERSONALITY	MagApp Set	MagApp Name		
			MagApp Passcode		
			MagApp IP		
			MagApp Port		
			MagApp Reset	Complete	
				Failed, try again	
			MagApp > DMX & Magfly	On / Off	Allows MagApp data to be converted to DMX data and then sent out via DMX port and Magfly
		LCD Set	Screen OFF	Never	
				10s	
				40s	
				1 min	
				2 min	
				5 min	
				10 min	
				20 min	
			Display Flip	0 deg	
		180 deg			
		Magfly Set	Magfly Channel	0 - 14	When Magfly is not equipped, selecting this function causes "Optional Module Not Installed" to show on the screen.
			Magfly	ON / OFF	

CONTINUED ON NEXT PAGE

SYSTEM MENU

	PERSONALITY (cont'd from prev page)	MagRF Learn	Frequency Matching feature. Display will read "Connected" if connection attempt succeeds within 20 seconds. Otherwise, display will read "Connection Failed."	When Magfly is not equipped, selecting this function causes "Optional Module Not Installed" to show on the screen.	
		Last State	Yes / No	When powered up, device adheres to last settings from before power was shut off	
		Default	Yes / No	Restore to factory settings	
	MANUAL		LED Off	Start or pause device operation according to these values by pressure the Play/Start icon.	
			Auto 1 - 4		
			Color 1 - 75 (see Color Table)		
	TIMER		Intensity 0 - 100%	Start or pause device operation according to these values by pressure the Play/Start icon.	
			Duration		0 - 250 s
			Interval		0 - 2500 s
	TIMER		LED Off	Start or pause device operation according to these values by pressure the Play/Start icon.	
			Auto 1 - 4		
			Color 1 - 75 (see Color Table)		
	TIMER		Intensity 0 - 100%	Start or pause device operation according to these values by pressure the Play/Start icon.	
			Duration		0 - 250 s
			Interval		0 - 2500 s
CONTINUED ON NEXT PAGE					

SYSTEM MENU

	PRESET	OPT Effect (see note at end of System Menu section)	OPT1	~164°C heater core temp
			OPT2	~156°C heater core temp
			OPT3	~148°C heater core temp
			OPT4	~139°C heater core temp
		LED Status	On	LED always on
			Follow	LED illuminates when fog is outputted
			Off	LED always off
		LED Bright	0 - 100%	LED brightness adjustment
		LED Effect	Off	
			Random	
			Pulse	
			Strobe	
		LED Style	LED Off	
			Auto 1 - 4	
			Color 1 - 75	see Color Table
		MagRF1 Style	LED Off	
			Auto 1 - 4	
			Color 1 - 75	see Color Table
		MagRF2 Style	LED Off	
			Auto 1 - 4	
Color 1 - 75	see Color Table			
MagRF3 Style	LED Off			
	Auto 1 - 4			
	Color 1 - 75	see Color Table		
MagRF4 Style	LED Off			
	Auto 1 - 4			
	Color 1 - 75	see Color Table		
	INFORMATION	State	Normal / Error	Operational status of unit
		Slot 1	Null	Displays what type of module is connected to Slot 1
			MagFly	
			MagApp	
			MagRF	
CONTINUED ON NEXT PAGE				

SYSTEM MENU



INFORMATION
(cont'd from prev page)

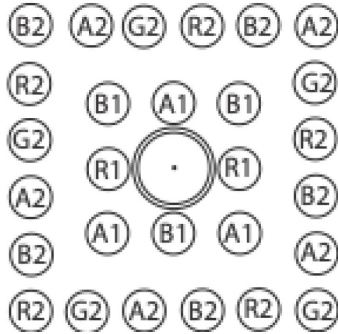
		Slot 2	Null	Displays what type of module is connected to Slot 2.
			MagFly	
			MagApp	
			MagRF	
		Last Control	LCD_auto	Displays current control method
			LCD_manual	
			DMX	
			MagApp	
			MagRF	
			MagRemote	
		MagRemote State	Yes / No	Displays whether remote has been connected
		MagApp Connect	Null	Displays the type of the device that the MagApp has connected to
			Phone	
			Route (router)	
			No	
		MagApp IP		IP address set by user
		MagFly Ch	0 - 14	Current MagFly channel
		DMX Addr	1 - 512	Current DMX address of unit
		DMX Mode	1 / 4 / 12	Current DMX mode of unit
		Timer Int	0 - 2500 s	Current timer interval setting
Timer Dur	0 - 250 s	Current timer duration setting		
Heating	0 - 100%	Progress of fluid heating		
Heater State	Normal	Operational status of fluid heater		
	Error			
	No Heat			
LCD Ver.	V1.2	LCD version		
Sftwr Ver.	V1.0	Software version		

NOTE: The function of the PRESET > OPT EFFECT menu option is to adjust the temperature of the heater core. Higher heater core temperature settings are more effective at burning fluids with heavier or more viscous fluids, such as fog fluids designed for long hang times. By contrast, lower heater core temperatures are better suited for use with lighter fog fluids.

DMX CHANNEL FUNCTIONS & VALUES

CHANNEL				VALUES	FUNCTION
1-CH	4-CH	7-CH	12-CH		
1	1	1	1		Fog
				000 - 009	Off
				010 - 127	LED on (switches LEDs on w/ 1-second delay)
				128 - 255	Max Fog with LED On
	2				Macro
				000 - 004	LED Off
				005 - 154	Macros 1 - 75 (see Macro Table)
				155 - 180	Fog burst & lighting display loop (2s loop)
				181 - 205	Fog burst & lighting display loop (1s loop)
				206 - 230	Auto 2
				231 - 255	Auto 1
		2	2	000 - 255	Red1, 0 to 100%
		4	3	000 - 255	Blue1, 0 to 100%
		5	4	000 - 255	Amber1, 0 to 100%
			5	000 - 255	Red2, 0 to 100%
		3	6	000 - 255	Green2, 0 to 100%
			7	000 - 255	Blue2, 0 to 100%
			8	000 - 255	Amber2, 0 to 100%
			9	000 - 255	Red3, 0 to 100%
			10	000 - 255	Green3, 0 to 100%
	3	6	11		Strobe
				000 - 031	Off
				032 - 095	Random, slow to fast
				096 - 159	Pulse Effect, in sequence
				160 - 255	Strobe, slow to fast
	4	7	12		Dimmer
				000 - 003	LED Off
				004 - 255	1% to 100%

LED LAYOUT for 12-Channel Mode



ABBREVIATION	LED ZONE NAME
R1	Red 1
B1	Blue 1
A1	Amber 1
R2	Red 2
G2	Green 2
B2	Blue 2
A2	Amber 2
R3	Red 3
G3	Green 3

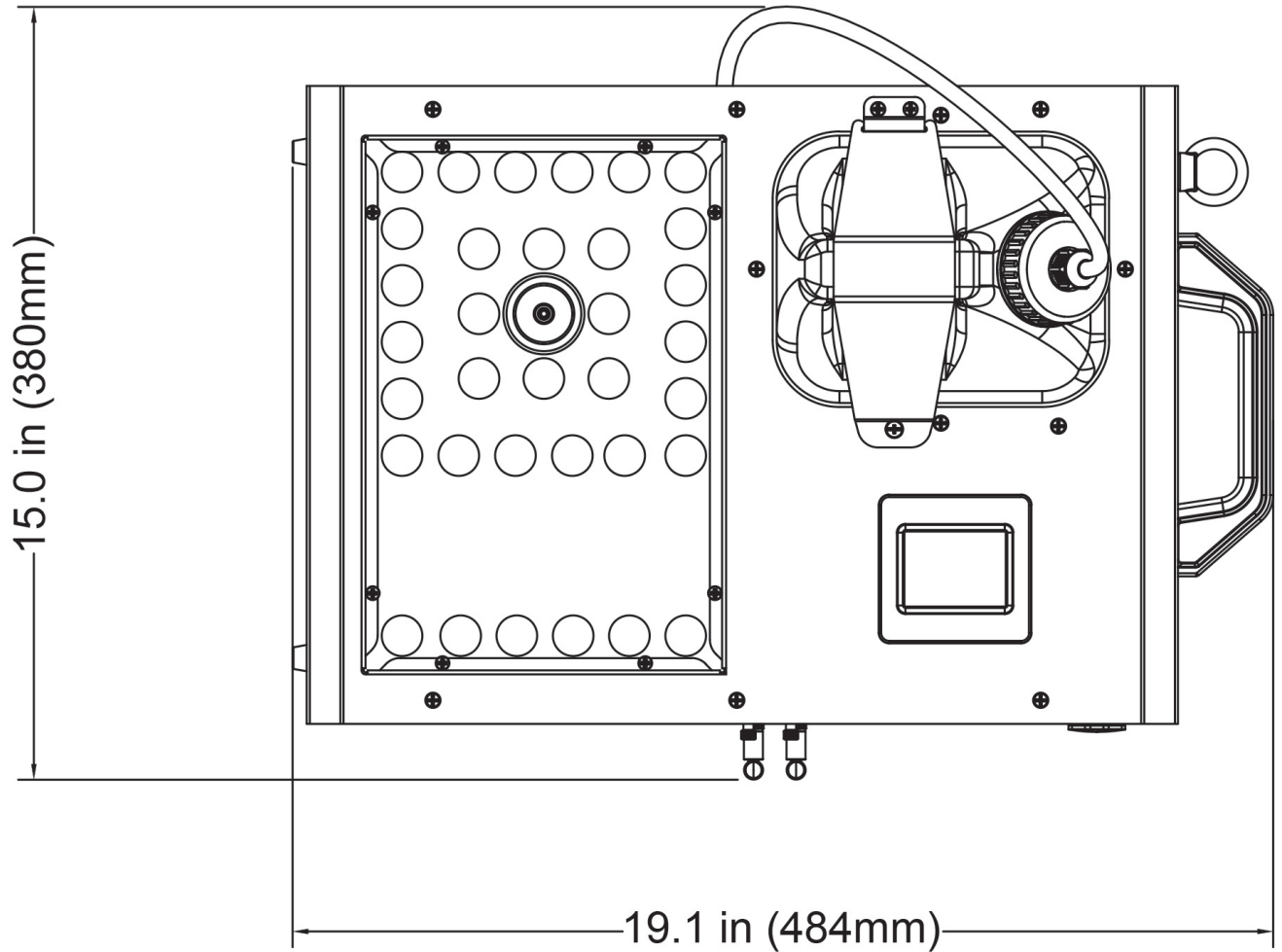
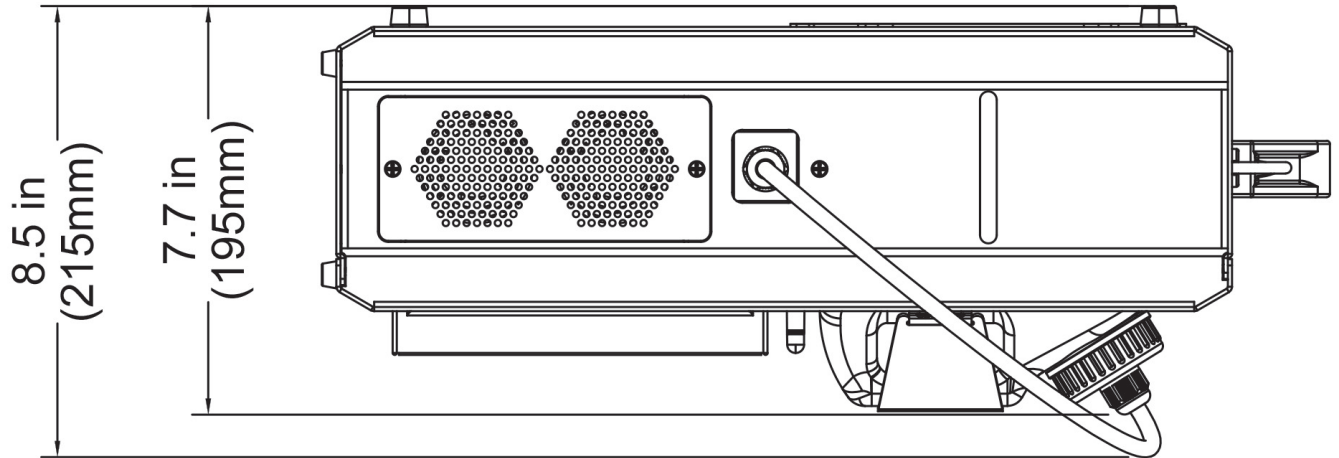
MACROS LIST

DMX VALUE	MACRO	DMX VALUE	MACRO	DMX VALUE	MACRO
005 - 006	Macro 1	065 - 066	Macro 31	125 - 126	Macro 61
007 - 008	Macro 2	067 - 068	Macro 32	127 - 128	Macro 62
009 - 010	Macro 3	069 - 070	Macro 33	129 - 130	Macro 63
011 - 012	Macro 4	071 - 072	Macro 34	131 - 132	Macro 64
013 - 014	Macro 5	073 - 074	Macro 35	133 - 134	Macro 65
015 - 016	Macro 6	075 - 076	Macro 36	135 - 136	Macro 66
017 - 018	Macro 7	077 - 078	Macro 37	137 - 138	Macro 67
019 - 020	Macro 8	079 - 080	Macro 38	139 - 140	Macro 68
021 - 022	Macro 9	081 - 082	Macro 39	141 - 142	Macro 69
023 - 024	Macro 10	083 - 084	Macro 40	143 - 144	Macro 70
025 - 026	Macro 11	085 - 086	Macro 41	145 - 146	Macro 71
027 - 028	Macro 12	087 - 088	Macro 42	147 - 148	Macro 72
029 - 030	Macro 13	089 - 090	Macro 43	149 - 150	Macro 73
031 - 032	Macro 14	091 - 092	Macro 44	151 - 152	Macro 74
033 - 034	Macro 15	093 - 094	Macro 45	153 - 154	Macro 75
035 - 036	Macro 16	095 - 096	Macro 46		
037 - 038	Macro 17	097 - 098	Macro 47		
039 - 040	Macro 18	099 - 100	Macro 48		
041 - 042	Macro 19	101 - 102	Macro 49		
043 - 044	Macro 20	103 - 104	Macro 50		
045 - 046	Macro 21	105 - 106	Macro 51		
047 - 048	Macro 22	107 - 108	Macro 52		
049 - 050	Macro 23	109 - 110	Macro 53		
051 - 052	Macro 24	111 - 112	Macro 54		
053 - 054	Macro 25	113 - 114	Macro 55		
055 - 056	Macro 26	115 - 116	Macro 56		
057 - 058	Macro 27	117 - 118	Macro 57		
059 - 060	Macro 28	119 - 120	Macro 58		
061 - 062	Macro 29	121 - 122	Macro 59		
063 - 064	Macro 30	123 - 124	Macro 60		

COLOR LIST

Color 1	Color 32	Color 63
Color 2	Color 33	Color 64
Color 3	Color 34	Color 65
Color 4	Color 35	Color 66
Color 5	Color 36	Color 67
Color 6	Color 37	Color 68
Color 7	Color 38	Color 69
Color 8	Color 39	Color 70
Color 9	Color 40	Color 71
Color 10	Color 41	Color 72
Color 11	Color 42	Color 73
Color 12	Color 43	Color 74
Color 13	Color 44	Color 75
Color 14	Color 45	
Color 15	Color 46	
Color 16	Color 47	
Color 17	Color 48	
Color 18	Color 49	
Color 19	Color 50	
Color 20	Color 51	
Color 21	Color 52	
Color 22	Color 53	
Color 23	Color 54	
Color 24	Color 55	
Color 25	Color 56	
Color 26	Color 57	
Color 27	Color 58	
Color 28	Color 59	
Color 29	Color 60	
Color 30	Color 61	
Color 31	Color 62	

DIMENSIONAL DRAWINGS



Dimensions may not be drawn to scale.

TROUBLE SHOOTING

If you experience low output, pump noise, or no output at all, disconnect the device and discontinue use immediately. Do not attempt to continue operation as this may damage the machine. Check the fluid level, the breaker, and the wall outlet to ensure it is sending power. If all the above factors do not appear to be causing the issue, and the unit still fails to operate correctly, it will require service. Please contact Magmatic Effects for assistance.

CLEANING & MAINTENANCE

When storing your device, be sure to store in a cool area. Cover the device so that dust does not build up on the device. When storing for long periods of time it is highly advisable to run the device at least once every 3-4 months. Long periods of inactivity can severely shorten the life of your device. Only run Magmatic's Atmosity fluid through your machine. Never run plain water, vinegar, or any other liquid solution through your device, as doing so will severely damage your device.

SPECIFICATIONS

PERFORMANCE

Rated Power: 1450W
Max Output: 50,000 CFM* (cu ft/min.)
Fog Burst Distance 5-6m / 3 sec.
Ready Time: Initial = 9 Minutes (approximate)
Fluid Capacity: 0.66 gallons (2.5 liters)
Fluid Consumption: 6.09 oz/min (180 ml/min)
Max Continuous Output Duration: 8 Seconds

COMPATIBLE FLUID

Atmosity Flash Fog Fluid (AFF-4L)
Atmosity Extreme Filtered Fog Fluid (AEF-4L)

CONSTRUCTION

Thermally Protected Heat Exchanger
Advanced HPA (high pressure air) Pump Technology
Energy Saving Mode with Auto-Clean Process
Sealed Fluid Reservoir
External Visual Fluid Level Detection
Compact Light Weight Mobile Design

CONTROL

4 DMX Channel Modes (1 / 4 / 7 / 12)
Onboard LCD Touch Control Panel
DMX-512 and RDM Protocol Support
Optional MagFly Wireless Module
Optional MagRF Wireless Module and Remote
MagApp Card (Still in development)

CONNECTIONS

Locking 5pin XLR Connector In/Out
IP65 Locking Power Connector In
With Wired Digital Communication Network

SIZE / WEIGHT

Length: 15.0 in (380mm)
Width: 7.7 in (195mm)
Height: 19.1 in (484mm)
Weight: 28.66 lbs. (13kg)

ELECTRICAL

AC 120V 60Hz, 230V 50Hz
NFB: 20A (120V Version) / 10A (230/240V Version)
Max Power Consumption: 1500W

THERMAL

Maximum Ambient Temperature (Ta max) 104°F (40°C)
Exterior Surface Temperature, Steady State: 140°F (60°C)

ACCESSORIES

MagFLY (MSR934) Wireless DMX Transceiver Module
MagRF (MSR912) RF Module and Wireless Remote
Omega Rigging Bracket x2 (SY2504F-B20)

APPROVALS / RATINGS

CE | cETLus | IP20 | UKCA

Specifications are subject to change without prior notice.



FCC STATEMENT

This device complies with Part 15 of the FCC rules. Operation is subject to the following two conditions: (1) this device may not cause harmful interference, and (2) this device must accept any interference received, including interference that may cause undesired operation.

FCC RADIO FREQUENCY INTERFERENCE WARNINGS & INSTRUCTIONS

This equipment has been tested and found to comply with the limits for a class B digital device, pursuant to part 15 of the FCC Rules. These limits are designed to provide reasonable protection against harmful interference in a residential installation. This device uses and can radiate radio frequency energy, and if not installed and used in accordance with the included instructions, may cause harmful interference to radio communications. However, there is no guarantee that interference will not occur in a particular installation. If this device does cause harmful interference to radio or television reception, which can be determined by turning the device off and on, the user is encouraged to try to correct the interference by one or more of the following methods:

- Reorient or relocate that device.
- Increase the separation between the device and the receiver.
- Connect the device to an electrical outlet on a circuit different from the one connected to the radio receiver.
- Consult the dealer or an experienced radio/TV technician for help.

Please note that the changes or modifications of this product that are not expressly approved by the party responsible for compliance could void the user's authority to operate the equipment.



