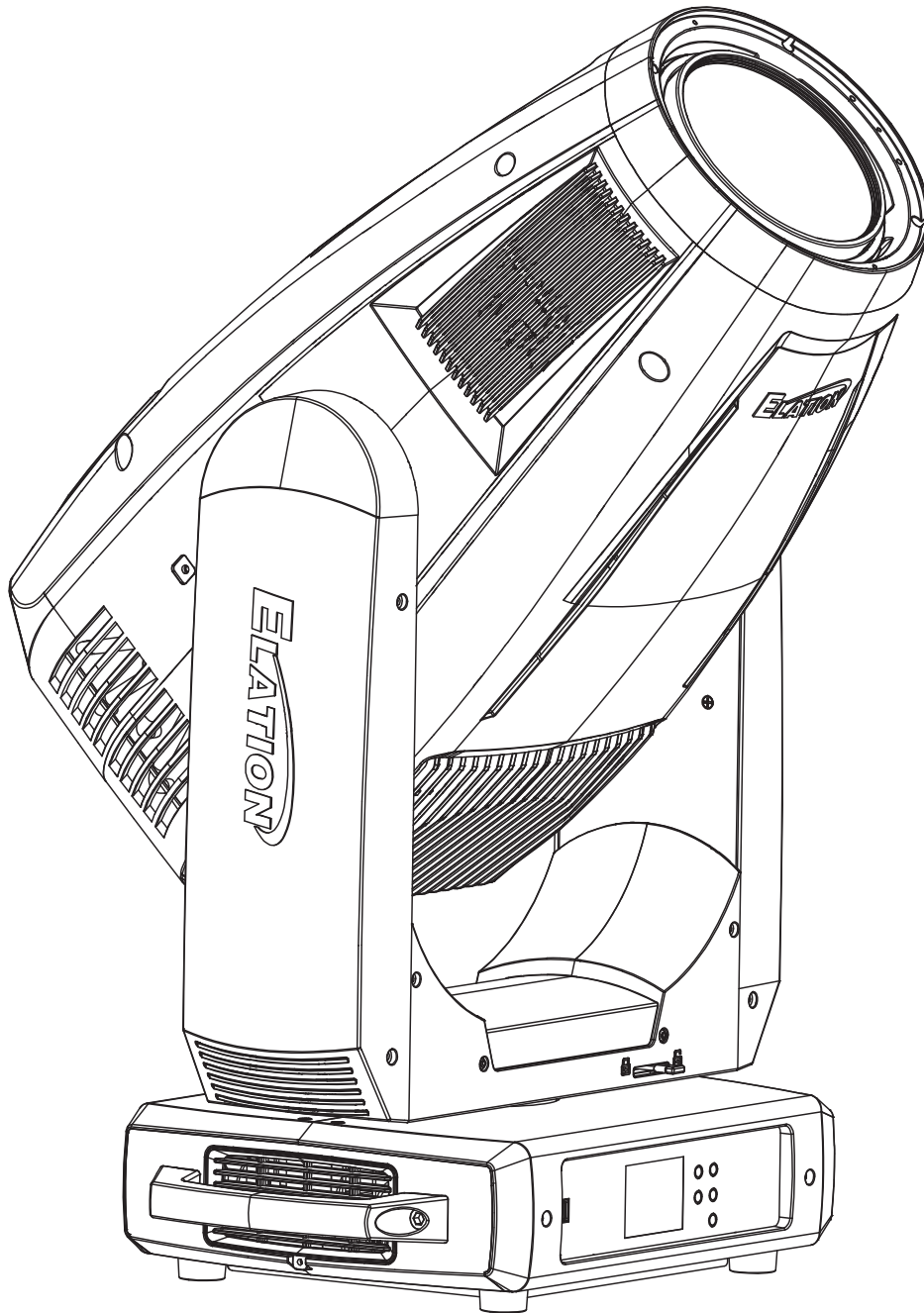


# **ELATION®**



## **FUZE TEATRO**

### **User Manual**

©2023 ELATION PROFESSIONAL all rights reserved. Information, specifications, diagrams, images, and instructions herein are subject to change without notice. ELATION PROFESSIONAL logo and identifying product names and numbers herein are trademarks of ELATION PROFESSIONAL. Copyright protection claimed includes all forms and matters of copyrightable materials and information now allowed by statutory or judicial law or hereinafter granted. Product names used in this document may be trademarks or registered trademarks of their respective companies and are hereby acknowledged. All non-ELATION brands and product names are trademarks or registered trademarks of their respective companies.

**ELATION PROFESSIONAL** and all affiliated companies hereby disclaim any and all liabilities for property, equipment, building, and electrical damages, injuries to any persons, and direct or indirect economic loss associated with the use or reliance of any information contained within this document, and/or as a result of the improper, unsafe, insufficient and negligent assembly, installation, rigging, and operation of this product.

**Elation Professional USA | 6122 S. Eastern Ave. | Los Angeles, CA. 90040**

323-582-3322 | 323-832-9142 fax | [www.elationlighting.com](http://www.elationlighting.com) | [info@elationlighting.com](mailto:info@elationlighting.com)

**Elation Professional B.V. | Junostraat 2 | 6468 EW Kerkrade, The Netherlands**

+31 45 546 85 66 | +31 45 546 85 96 fax | [www.elationlighting.eu](http://www.elationlighting.eu) | [info@elationlighting.eu](mailto:info@elationlighting.eu)

**Elation Professional Mexico | AV Santa Ana 30 | Parque Industrial Lerma, Lerma, Mexico 52000**

+52 (728) 282-7070

## DOCUMENT VERSION



Due to additional product features and/or enhancements, an updated version of this document may be available online. Please scan the QR Code with your mobile device or visit [www.elationlighting.com](http://www.elationlighting.com) for the latest revision/update of this manual, before installation and/or programming.

Date	Document Version	Software Version	DMX Channel Mode	Notes
12/15/23	1.0	1.01	42/60/40 RGB/56 RGB Ext/ 40 CMY/56 CMY Ext	Initial Release

# CONTENTS

<b>General Information</b>	<b>4</b>
<b>Limited Warranty (USA Only)</b>	<b>5</b>
<b>Safety Guidelines</b>	<b>6</b>
<b>Maintenance Guidelines</b>	<b>8</b>
<b>Overview</b>	<b>9</b>
<b>Gobos   Animation Wheel</b>	<b>10</b>
<b>Gobo Dimensions</b>	<b>11</b>
<b>Gobo Installation</b>	<b>12</b>
<b>Installation Guidelines</b>	<b>13</b>
<b>Remote Device Management (RDM)</b>	<b>18</b>
<b>Control Panel</b>	<b>19</b>
<b>System Menu</b>	<b>20</b>
<b>DMX Traits</b>	<b>23</b>
<b>Dimmer Modes &amp; Curves</b>	<b>32</b>
<b>Color Temperature Chart</b>	<b>33</b>
<b>Color Macros Chart</b>	<b>34</b>
<b>Dimensional Drawings</b>	<b>35</b>
<b>Specifications</b>	<b>36</b>
<b>Ordering Information   Error Codes</b>	<b>37</b>

# GENERAL INFORMATION

## INTRODUCTION

Please read and understand the instructions in this manual carefully and thoroughly before attempting to operate this device. These instructions contain important safety and use information. **This device is intended for use by trained personnel only, and is not suitable for private use.**

## UNPACKING

Every device has been thoroughly tested and has been shipped in perfect operating condition. Carefully check the shipping carton for damage that may have occurred during shipping. If the carton is damaged, carefully inspect the device for damage, and be sure all accessories necessary to install and operate the device have arrived intact. In the event damage has been found or parts are missing, please contact our customer support team for further instructions. Please do not return this device to your dealer without first contacting customer support. Please do not discard the shipping carton in the trash. Please recycle whenever possible.

## BOX CONTENTS

Power Cable (x1)

## CUSTOMER SUPPORT

Contact ELATION Service for any product related service and support needs. Also visit [forums.elationlighting.com](https://forums.elationlighting.com) with questions, comments, or suggestions.

**ELATION SERVICE USA - Monday - Friday 8:00am to 4:30pm PST**  
323-582-3322 | Fax 323-832-9142 | [support@elationlighting.com](mailto:support@elationlighting.com)

**ELATION SERVICE EUROPE - Monday - Friday 08:30 to 17:00 CET**  
+31 45 546 85 63 | Fax +31 45 546 85 96 | [support@elationlighting.eu](mailto:support@elationlighting.eu)

**REPLACEMENT PARTS** please visit [parts.elationlighting.com](https://parts.elationlighting.com)



## IMPORTANT NOTICE!

**THERE ARE NO USER SERVICEABLE PARTS INSIDE THIS UNIT. DO NOT ATTEMPT ANY REPAIRS YOURSELF, AS DOING SO WILL VOID YOUR MANUFACTURER'S WARRANTY. DAMAGES RESULTING FROM MODIFICATIONS TO THIS FIXTURE AND/OR THE DISREGARD OF SAFETY INSTRUCTIONS AND GUIDELINES IN THIS MANUAL VOID THE MANUFACTURER'S WARRANTY AND ARE NOT SUBJECT TO ANY WARRANTY CLAIMS AND/OR REPAIRS.**

## LIMITED WARRANTY (USA ONLY)

- A. Elation Professional hereby warrants, to the original purchaser, Elation Professional products to be free of manufacturing defects in material and workmanship for a period of two years (730 days), and Elation Professional product rechargeable batteries to be free of manufacturing defects in material and workmanship for a period of six months (180 days), from the original date of purchase. This warranty excludes discharge lamps and all product accessories. This warranty shall be valid only if the product is purchased within the United States of America, including possessions and territories. It is the owner's responsibility to establish the date and place of purchase by acceptable evidence, at the time service is sought.
- B. For warranty service, send the product only to the Elation Professional factory. All shipping charges must be pre-paid. If the requested repairs or service (including parts replacement) are within the terms of this warranty, Elation Professional will pay return shipping charges only to a designated point within the United States. If any product is sent, it must be shipped in its original package and packaging material. No accessories should be shipped with the product. If any accessories are shipped with the product, Elation Professional shall have no liability what so ever for loss and/or damage to any such accessories, nor for the safe return thereof.
- C. This warranty is void if the product serial number and/or labels are altered or removed; if the product is modified in any manner which Elation Professional concludes, after inspection, affects the reliability of the product; if the product has been repaired or serviced by anyone other than the Elation Professional factory unless prior written authorization was issued to purchaser by Elation Professional; if the product is damaged because not properly maintained as set forth in the product instructions, guidelines and/or user manual.
- D. This is not a service contract, and this warranty does not include any maintenance, cleaning or periodic check-up. During the periods as specified above, Elation Professional will replace defective parts at its expense, and will absorb all expenses for warranty service and repair labor by reason of defects in material or workmanship. The sole responsibility of Elation Professional under this warranty shall be limited to the repair of the product, or replacement thereof, including parts, at the sole discretion of Elation Professional. All products covered by this warranty were manufactured after January 1, 1990, and bare identifying marks to that effect.
- E. Elation Professional reserves the right to make changes in design and/or performance improvements upon its products without any obligation to include these changes in any products theretofore manufactured.
- F. No warranty, whether expressed or implied, is given or made with respect to any accessory supplied with the products described above. Except to the extent prohibited by applicable law, all implied warranties made by Elation Professional in connection with this product, including warranties of merchantability or fitness, are limited in duration to the warranty periods set forth above. And no warranties, whether expressed or implied, including warranties of merchantability or fitness, shall apply to this product after said periods have expired. The consumer's and/or dealer's sole remedy shall be such repair or replacement as is expressly provided above; and under no circumstances shall Elation Professional be liable for any loss and/or damage, direct and/or consequential, arising out of the use of, and/or the inability to use, this product.
- G. This warranty is the only written warranty applicable to Elation Professional products and supersedes all prior warranties and written descriptions of warranty terms and conditions heretofore published.

### WARRANTY RETURNS

All returned service items whether under warranty or not, must be freight pre-paid and accompany a return authorization (R.A.) number. The R.A. number must be clearly written on the outside of the return package. A brief description of the problem as well as the R.A. number must also be written down on a piece of paper and included in the shipping container. If the unit is under warranty, you must provide a copy of your proof of purchase invoice. Items returned without a R.A. number clearly marked on the outside of the package will be refused and returned at customer's expense. You may obtain a R.A. number by contacting customer support.

# SAFETY GUIDELINES

This fixture is a sophisticated piece of electronic equipment. To guarantee smooth operation, it is important to follow all instructions and guidelines in this manual. Elation Professional is not responsible for injury and/or damages resulting from the misuse of this fixture due to the disregard of the information printed in this manual. Only qualified and/or certified personnel should perform installation of this fixture and only the original rigging parts included with this fixture should be used for installation. Any modifications to the fixture and/or the included mounting hardware will void the original manufacturer's warranty and increase the risk of damage and/or personal injury.



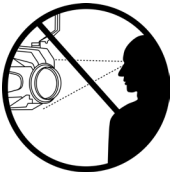
**PROTECTION CLASS 1 - FIXTURE MUST BE PROPERLY GROUNDED.**



**THERE ARE NO USER SERVICEABLE PARTS INSIDE THIS UNIT. DO NOT ATTEMPT ANY REPAIRS YOURSELF. DOING SO WILL VOID YOUR MANUFACTURER'S WARRANTY. DAMAGES RESULTING FROM MODIFICATIONS TO THIS DEVICE AND/OR THE DISREGARD OF SAFETY INSTRUCTIONS AND GUIDELINES IN THIS MANUAL VOID THE MANUFACTURER'S WARRANTY AND ARE NOT SUBJECT TO ANY WARRANTY CLAIMS AND/OR REPAIRS.**



**DO NOT PLUG THIS UNIT INTO A DIMMER PACK  
DO NOT REMOVE THE COVER PANELS FOR ANY REASON  
NEVER OPERATE THIS UNIT WITH THE CASING REMOVED  
UNPLUG FROM POWER DURING LONG PERIODS OF NON-USE  
DISCONNECT POWER BEFORE PERFORMING MAINTENANCE**



**NEVER LOOK DIRECTLY INTO THE LIGHT SOURCE!  
RETINA INJURY RISK - MAY INDUCE BLINDNESS!  
SENSITIVE PERSONS MAY SUFFER AN EPILEPTIC SHOCK!  
FIXTURE SHOULD BE PLACED A MINIMUM OF 1.0 FOOT (0.3 METERS) FROM ANY NEARBY OBJECTS OR SURFACES.**



**FIXTURE SHOULD BE PLACED A MINIMUM OF 1.6 FEET (0.5 METERS) FROM ANY FLAMMABLE MATERIALS.  
MAXIMUM AMBIENT OPERATING TEMPERATURE IS 113°F (45°C)**

# SAFETY GUIDELINES

**For Your Own Personal Safety, Please Read and Understand This Manual Completely Before You Attempt To Install Or Operate This Unit!**

- Do not touch the fixture housing during operation, as it may be hot.
- Do not shake the fixture, and avoid using brute force when installing and/or operating.
- Use only the original packaging and materials to transport or ship the fixture for service. Make sure to retain the original packaging for this purpose.
- Be sure that the local power outlet matches the required voltage for the device.
- Do not open up the device for any reason. There are no user serviceable parts inside.
- Disconnect the device's main power when left unused for long periods of time.
- Never connect this device to a dimmer pack.
- Do not attempt to operate this device if it has been damaged in any way.
- Never operate this device with the cover removed.
- Do not attempt to operate this device if the power cord has been frayed or broken.
- Never force a power cord connector into the fixture. If the power cord or any of its connectors are damaged, replace immediately with a new cord of the same power rating.
- Do not attempt to remove or break off the ground prong from the electrical cord. This prong is used to reduce the risk of electrical shock and fire in case of an internal short.
- Only handle the power cord by the plug end. Never disconnect the plug by tugging on the wire portion of the power cord.
- Disconnect from main power before making any type of connection.
- Never block the air ventilation slots. Always be sure to mount this device in an area that will allow proper ventilation. Allow about 6" (15cm) between this device and a wall.
- Always mount this unit in a safe and stable matter.
- This device is intended for indoor use only! Outdoors usage voids all manufacturer's warranties.
- Please route your power cord out of the way of foot traffic. Power cords should be routed so they are not likely to be walked on or pinched by items placed upon or against them.
- Before performing any servicing, turn off and disconnect the device from power and allow at least 15 minutes for the device to cool.
- Consistent operational breaks will ensure that this fixture will function properly for many years.
- The device should be serviced by qualified service personnel when:
  - A. The power-supply cord or the plug has been damaged.
  - B. Objects have fallen on, or liquid has been spilled into, the device.
  - C. The device has been immersed in liquid or exposed to moisture.
  - D. The appliance does not appear to operate normally or exhibits a marked change in performance.

**Keep all flammable materials away from this fixture!**

# MAINTENANCE GUIDELINES



**DISCONNECT POWER BEFORE PERFORMING ANY MAINTENANCE!**

## CLEANING

Frequent cleaning is recommended to ensure proper function, optimized light output, and an extended life. The frequency of cleaning depends on the environment in which the fixture operates: damp, smoky or particularly dirty environments can cause greater accumulation of dirt on the fixture's optics. Clean periodically with a soft cloth to avoid dirt/debris accumulation.

**NEVER** use alcohol, solvents, or ammonia-based cleaners.

## MAINTENANCE

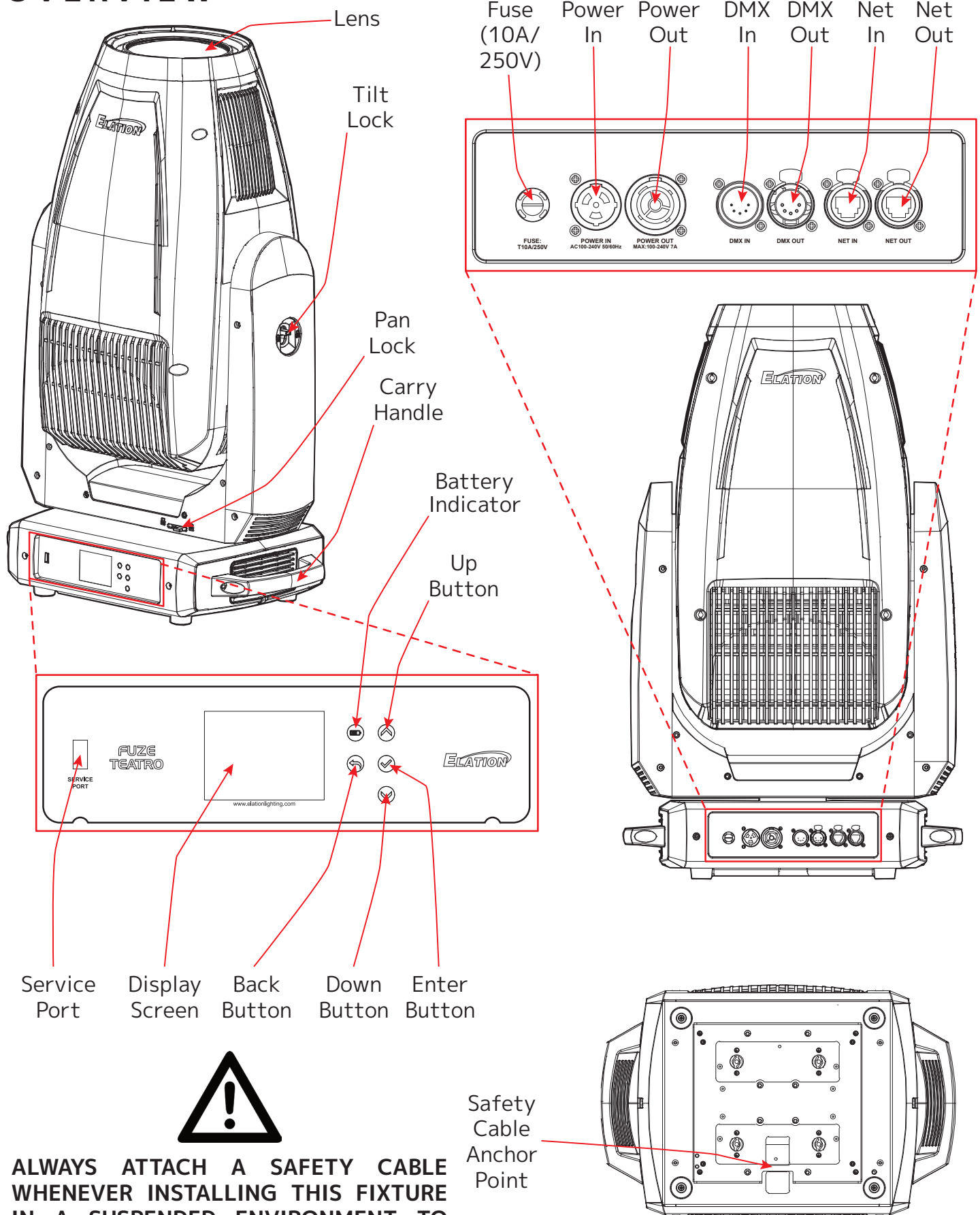
Regular inspections are recommended to insure proper function and extended life. There are no user serviceable parts inside this fixture. Please refer all other service issues to an authorized Elation service technician. Should you need any spare parts, please order genuine parts from an authorized Elation dealer.

Please refer to the following points during routine inspections:

- A detailed electrical check by an approved electrical engineer every three months, to make sure the circuit contacts are in good condition and prevent overheating.
- Be sure all screws and fasteners are securely tightened at all times. Loose screws may fall out during normal operation, resulting in damage or injury as larger parts could fall.
- Check for any deformations on the housing, color lenses, rigging hardware and rigging points (ceiling, suspension, trussing). Deformations in the housing could allow for dust to enter into the fixture. Damaged rigging points or unsecured rigging could cause the fixture to fall and seriously injure a person(s).
- Electric power supply cables must not show any damage, material fatigue or sediments.



# OVERVIEW



Service Port    Display Screen    Back Button    Down Button    Enter Button



**ALWAYS ATTACH A SAFETY CABLE WHENEVER INSTALLING THIS FIXTURE IN A SUSPENDED ENVIRONMENT TO ENSURE THAT THE FIXTURE WILL NOT FALL IF THE CLAMP FAILS.**

# GOBOS

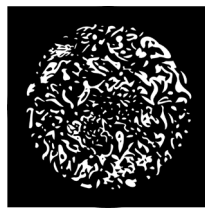
## ROTATING GOBO WHEEL 1



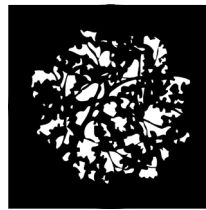
1



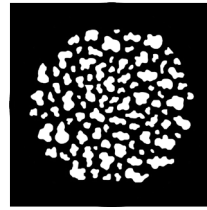
2



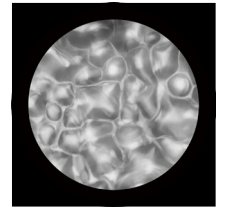
3



4

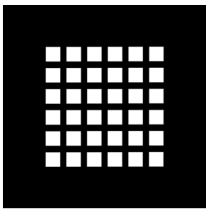


5

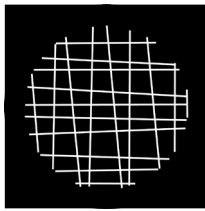


6

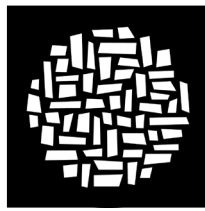
## ROTATING GOBO WHEEL 2



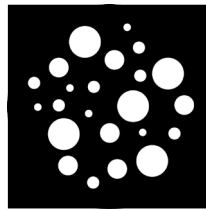
1



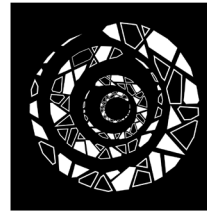
2



3



4

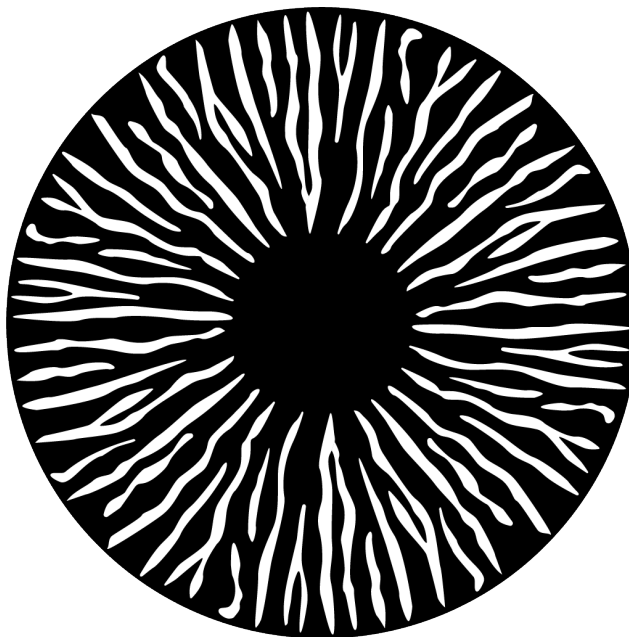


5



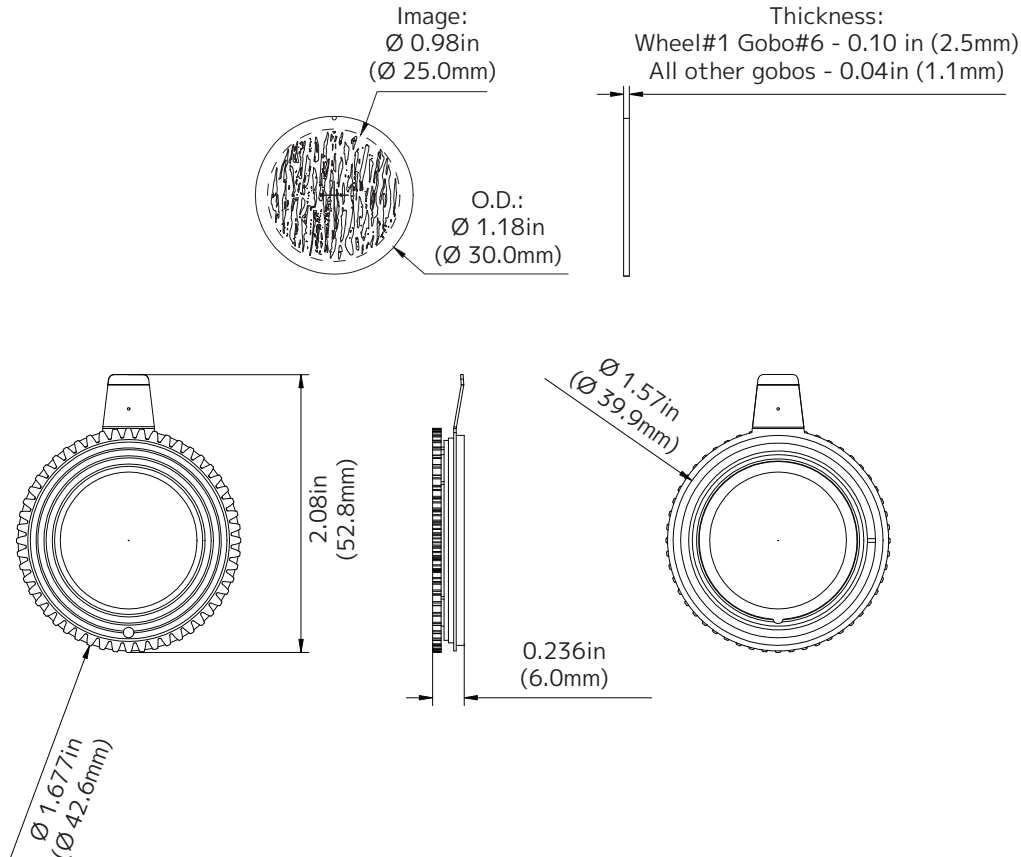
6

## ANIMATION WHEEL



# GOBO DIMENSIONS

ROTATING WHEEL GOBOS	
Gobo O.D. (Max Outer Diameter)	Ø 1.18in (Ø 30.0mm)
Gobo I.D. (Max Image Diameter)	Ø 0.98in (Ø 25.0mm)
Gobo Holder Diameter	Ø 1.57in (Ø 39.9mm)
Gobo Thickness	Wheel #1, Gobo #6: 0.10in (2.5mm) All Other Gobos: 0.04 in (1.1mm)
Gobo Material	Glass



Please be aware of the intended position and correct sizing requirements of custom gobos.

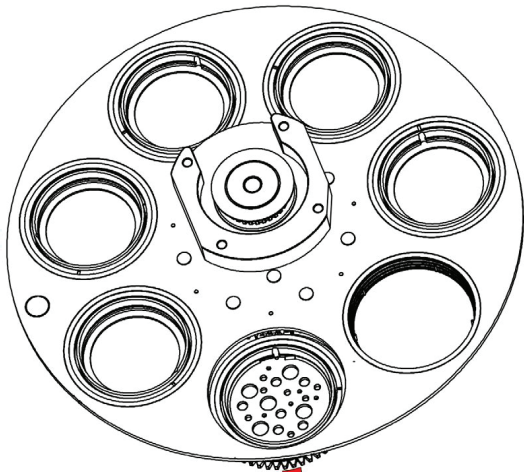
### \*\*\* IMPORTANT NOTICE REGARDING CUSTOM GOBOS \*\*\*

Due to the high temperature optical system, special glass material is required for custom gobos. Due to varying manufacturing processes and tolerances, it is highly recommended to provide a gobo sample and holder from the fixture to the custom gobo vendor for accurate sizing. Extended testing of custom gobo designs is highly recommended prior to use. Contact ELATION SERVICE for further information.

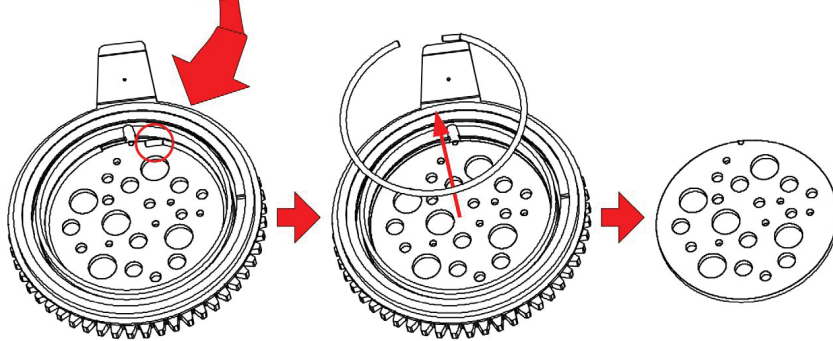
**ELATION SERVICE USA -Monday -Friday 8:00am to 4:30pm PST**  
**323-582-3322 | Fax 323-832-9142 | support@elationlighting.com**

**ELATION SERVICE EUROPE -Monday -Friday 08:30 to 17:00 CET**  
**+31 45 546 85 63 | Fax +31 45 54685 96 | support@elationlighting.eu**

# GOBO INSTALLATION



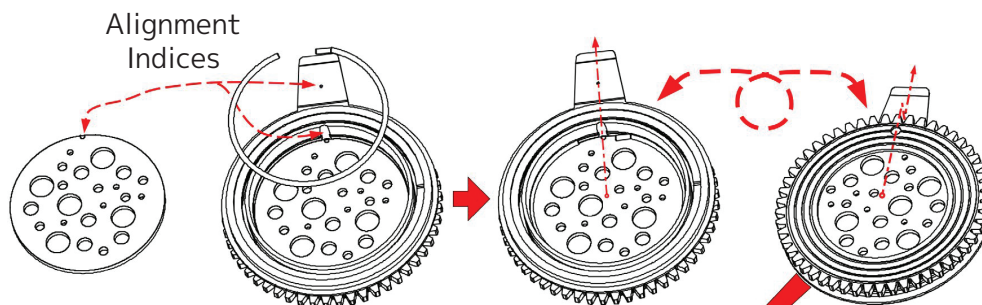
1. Locate the gobo that you would like to replace. Carefully press down on the gobo holder to unseat it from its slot in the gobo wheel, then pull the holder out and away from the gobo wheel.



2. Locate the tab of the retainer spring, then use a precision pick or similar tool to carefully press the retainer spring tab inward to relieve the spring's tension. Remove the retainer spring and carefully separate the gobo from the gobo holder.

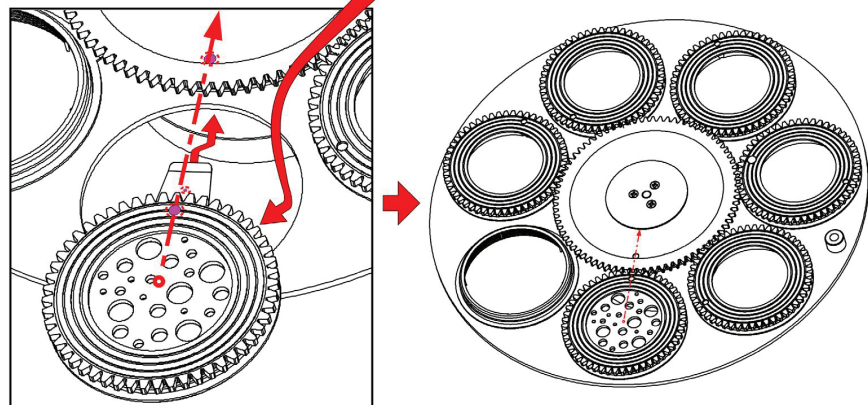
## WARNING: USE CAUTION IN ORDER TO AVOID SCATCHING THE GOBO OR GOBO HOLDER

3. To ensure proper gobo orientation on the gobo wheel, align the alignment indices on the gobo and gobo holder before installing the retainer spring. These alignment indices take the form of a notch in the gobo holder, and dots on the gobo holder tab and the gobo itself.



Note: The gobo holder should seat securely into a slot in the gobo wheel, with gearing on one side and the retention tab on the other.

4. Rotate the gear of the gobo wheel until the gear alignment dot on the bottom of the gobo wheel is aligned with the empty gobo holder slot. Insert the gobo holder tab into its receptacle on the wheel and press until the gobo holder clicks into the empty slot.



# INSTALLATION GUIDELINES



## **FLAMMABLE MATERIAL WARNING**

Keep fixture minimum 5.0 feet (1.5m) away from flammable materials and/or pyrotechnics.



## **ELECTRICAL CONNECTIONS**

A qualified electrician should be used for all electrical connections and/or installations.



## **MINIMUM DISTANCE TO OBJECTS/SURFACES IS 1 FOOT (0.3 METERS)**



## **MINIMUM DISTANCE OF FLAMMABLE MATERIALS FROM THE SURFACE IS 1.6 FEET (0.5 METER)**



## **MAXIMUM AMBIENT TEMPERATURE 113° F (45°C)**



## **DO NOT INSTALL THE FIXTURE IF YOU ARE NOT QUALIFIED TO DO SO!**

Fixture **MUST** be installed following all local, national, and country commercial electrical and construction codes and regulations.

Before rigging/mounting a single fixture or multiple fixtures to any metal truss/structure or placing the fixture(s) on any surface, a professional equipment installer **MUST** be consulted to determine if the metal truss/structure or surface is properly certified to safely hold the combined weight of the fixture(s), clamps, cables, and accessories.

Fixture(s) should be installed away from walking paths, seating areas, or areas where unauthorized personnel might reach the fixture by hand.

**NEVER** stand directly below the fixture(s) when rigging, removing, or servicing.

Overhead fixture installation must always be secured with a secondary safety attachment, such as an appropriately rated safety cable.

Allow approximately 15 minutes for the fixture to cool down before servicing.

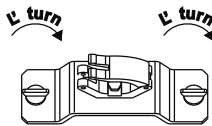
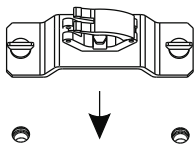
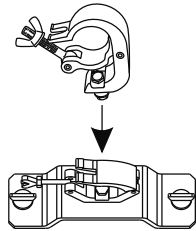
# INSTALLATION GUIDELINES

## OMEGA BRACKET WITH CLAMP INSTALLATION

When mounting the fixture to a truss, be sure to secure appropriately rated professional grade rigging clamps to the included Omega Brackets using an M10 or M12 screw fitted through the center hole of the Omega Brackets. This fixture requires the installation of two Omega brackets and two clamps for secure truss mounting.

### OMEGA BRACKET INSTALLATION

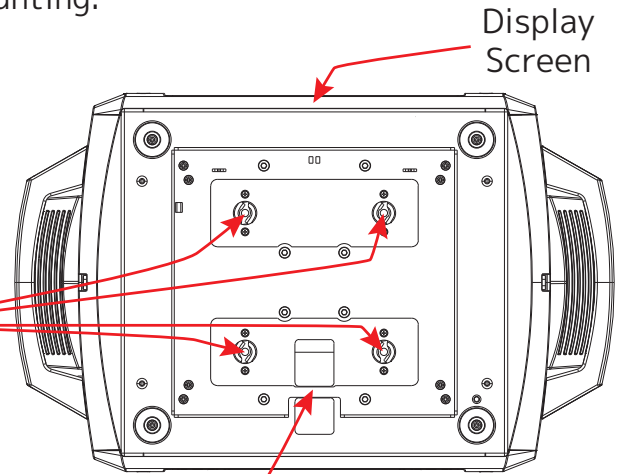
1. Insert a bolt through the holes in the clamp and Omega bracket, and secure in place with a nut and washer.
2. Insert the Omega bracket fasteners into the matching holes on the fixture.
3. Turn both fasteners on the Omega bracket a quarter turn clockwise to secure in place.



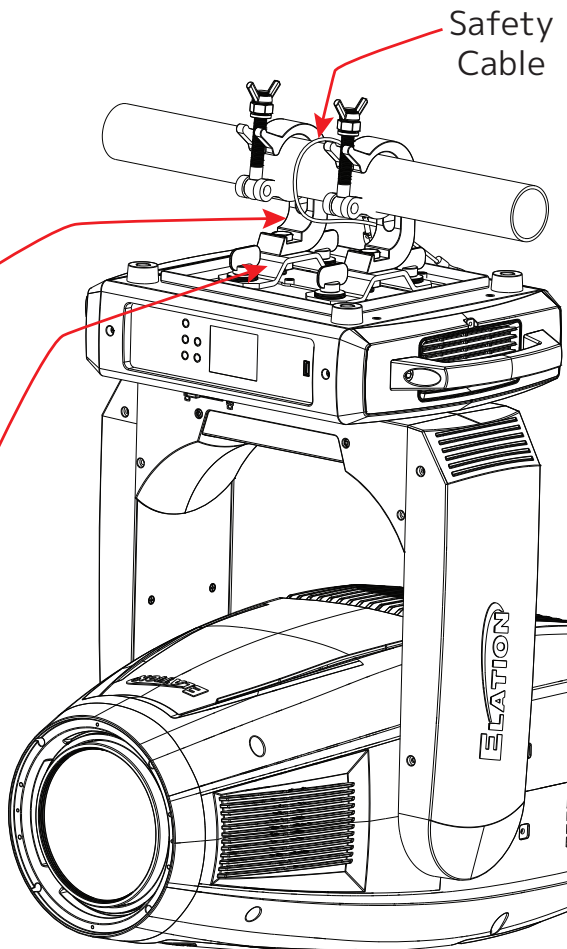
**ALWAYS ATTACH A SAFETY CABLE WHENEVER INSTALLING THIS FIXTURE IN A SUSPENDED ENVIRONMENT TO ENSURE THAT THE FIXTURE WILL NOT FALL IF THE CLAMP FAILS.**

### RIGGING

When mounting the fixture to a truss, be sure to secure an appropriately rated professional grade rigging clamp to the bottom of the fixture using (2x) minimum grade 8.8 steel (2x) M12x25mm bolts fitted through the mounting hole of the Clamp. The fixture provides built-in rigging points for a SAFETY CABLE (not included). Be sure to only use one of the designated rigging points for the safety cable and never secure a safety cable to a carrying handle.



Safety Cable Attachment



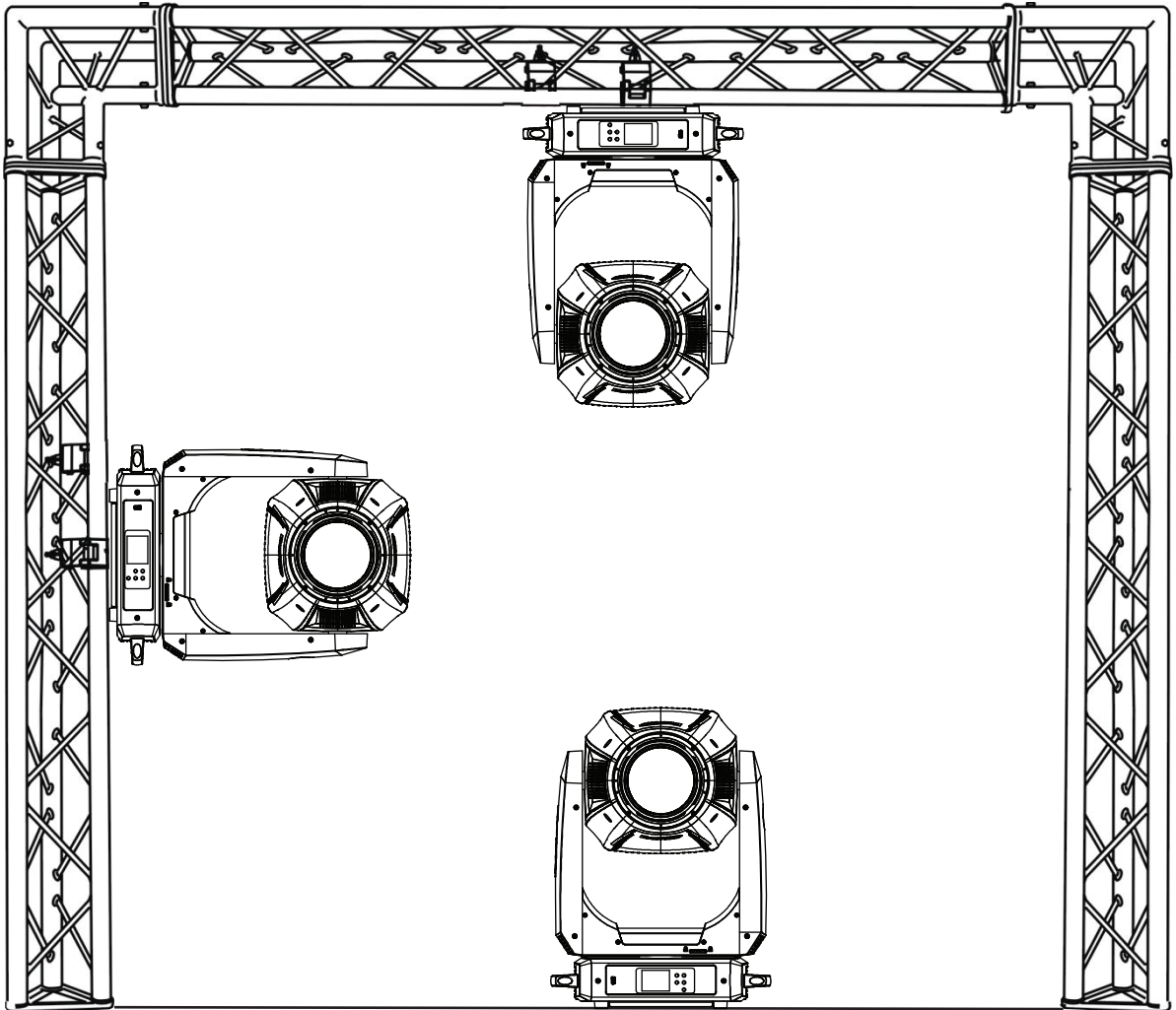
Mounting Clamp

Omega Bracket

# INSTALLATION GUIDELINES

## FIXTURE INSTALLATION

This fixture is fully operational in three different mounting positions: hanging upside-down, mounted sideways on trussing, or set on a flat level surface. Be sure this fixture is kept well away from any flammable materials (decoration etc.). Always use and install a safety cable of the proper rating as a safety measure to prevent accidental damage and/or injury in the event the clamp fails.



**FALLING FIXTURES CAN CAUSE SEVERE INJURY OR SERIOUS EQUIPMENT DAMAGE! FOR THIS REASON, FIXTURES SHOULD BE INSTALLED AND INSPECTED ONLY BY QUALIFIED PERSONNEL. DO NOT INSTALL THE UNIT IF YOU LACK THE QUALIFICATIONS TO DO SO, OR IF YOU HAVE DOUBTS ABOUT THE SAFETY AND SECURITY OF THE INSTALLATION SETUP OR LOCATION!**



**ALWAYS ATTACH A SAFETY CABLE WHENEVER INSTALLING THIS FIXTURE IN A SUSPENDED ENVIRONMENT TO ENSURE THE FIXTURE WILL NOT FALL IF THE CLAMP FAILS.**

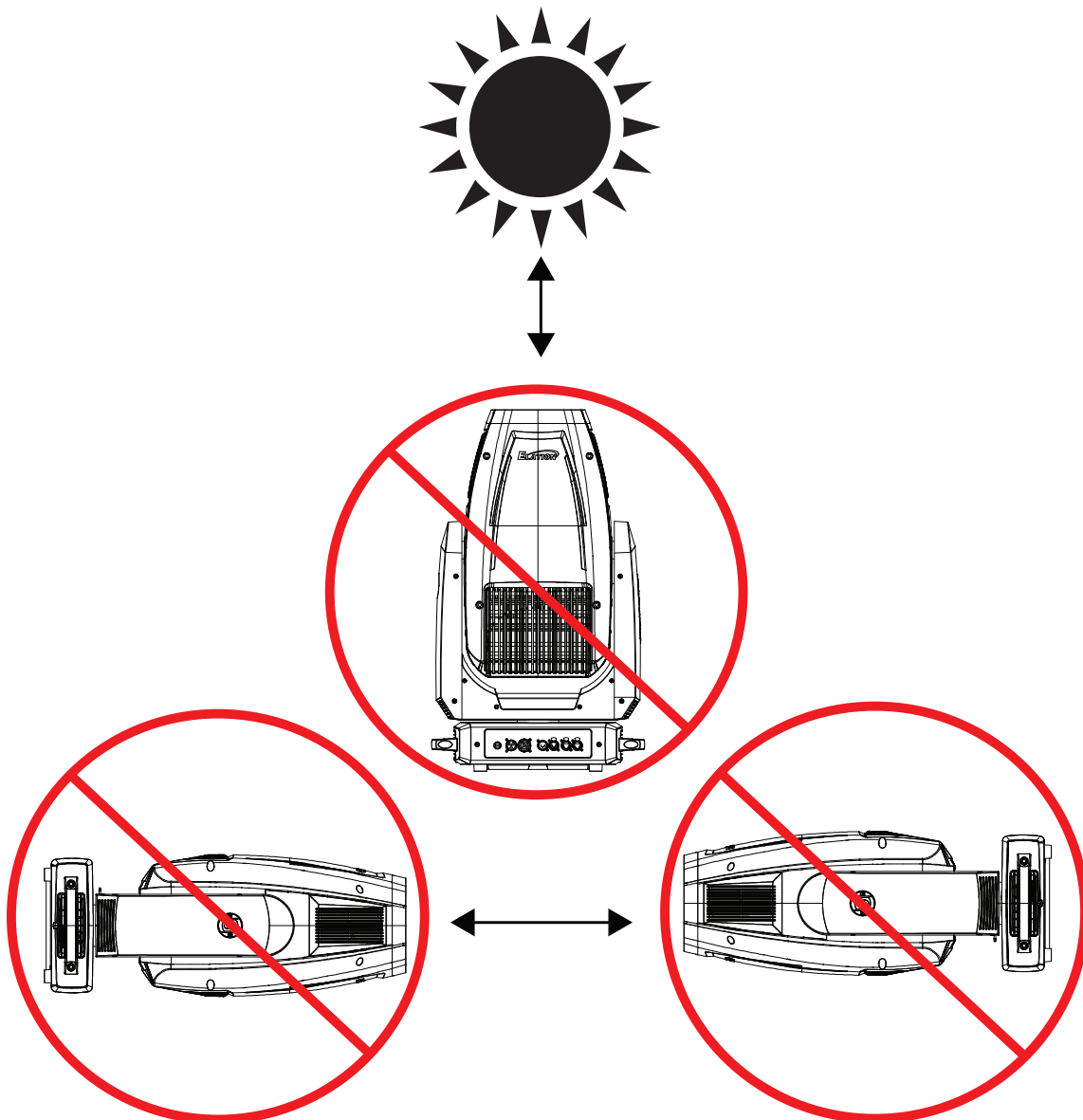
# INSTALLATION GUIDELINES

## POTENTIAL INTERNAL FIXTURE DAMAGE FROM EXTERNAL SOURCES OF LIGHT BEAMS

External sources of light beams from direct sunlight, lighting moving head fixtures, and lasers, which are focused directly towards the exterior housing and/or penetrate the front lens opening of ELATION lighting fixtures, can cause severe internal damage including burning to optics, dichroic color filters, glass and metal gobos, prisms, animation wheels, frost filters, iris, shutters, motors, belts, wiring, discharge lamps, and LEDs.

This issue is not specific only to ELATION lighting fixtures, it is a common issue with lighting fixtures from all manufacturers. Although there is no true way to fully prevent this issue from happening, the guidelines below can prevent any potential damage from occurring if followed. Contact ELATION Service for more details.

**DO NOT EXPOSE THE FIXTURE AND/OR FRONT LENS OPENING TO LIGHT BEAMS FROM DIRECT SUNLIGHT, OTHER LIGHTING MOVING HEAD FIXTURES, AND LASERS WHILE UNPACKING, INSTALLATION, USE, AND EXTENDED IDLE TIMES OUTDOORS. DO NOT FOCUS A LIGHT BEAM FROM ONE LIGHTING FIXTURE DIRECTLY TOWARDS ANOTHER.**





# INSTALLATION GUIDELINES

## ART-NET | sACN CONNECTION

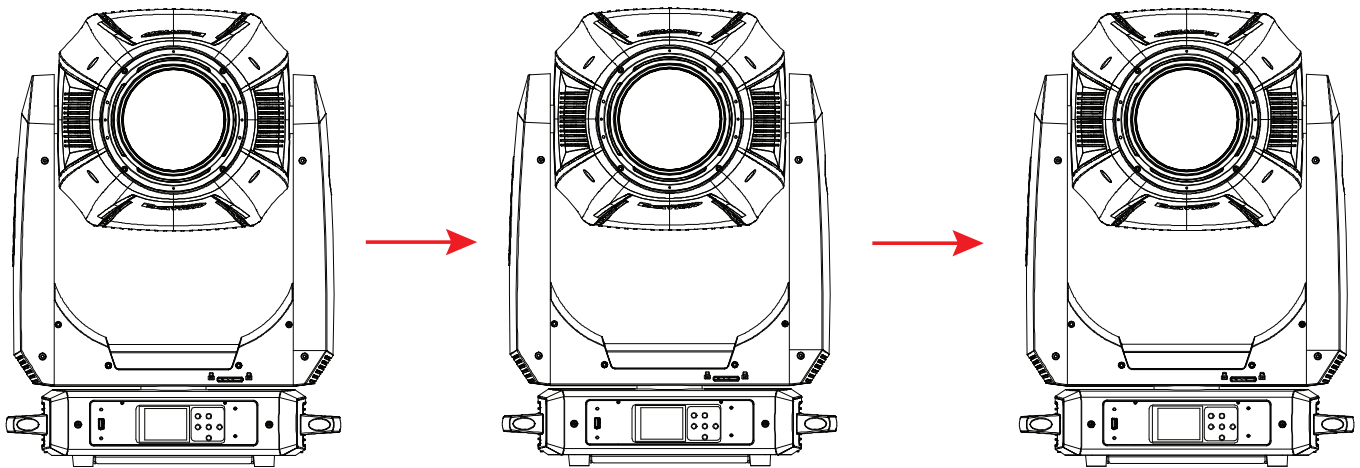
When connecting fixture to a network switch to control multiple devices, a Gigabit Ethernet Switch that supports IGMP (Internet Group Management Protocol) is required. Using a Gigabit Ethernet Switch that does not support IGMP can cause erratic behavior of all connected devices to the switch. Click link below for more information about IGMP.

[https://en.wikipedia.org/wiki/Internet\\_Group\\_Management\\_Protocol](https://en.wikipedia.org/wiki/Internet_Group_Management_Protocol)

## RJ45 DATA CABLES



**THE INCLUDED RJ45 DATA CABLE IS INTENDED ONLY FOR FIXTURE TO FIXTURE INTERCONNECTIONS! THE RJ45 CABLE CONNECTORS MAY NOT BE COMPATIBLE WITH OTHER RJ45 OR ETHERNET TYPE CONNECTORS.**



# REMOTE DEVICE MANAGEMENT (RDM)

**NOTE: In order for RDM to work properly, RDM enabled equipment must be used throughout the entire system, including DMX data splitters and wireless systems.**

Remote Device Management (RDM) is a protocol that sits on top of the DMX512 data standard for lighting, and allows the DMX systems of the fixtures to be modified and monitored remotely. This protocol is ideal for instances in which a unit is installed in a location that is not easily accessible.

With RDM, the DMX512 system becomes bi-directional, allowing a compatible RDM enabled controller to send out a signal to devices on the wire, as well as allowing the fixture to respond (known as a GET command). The controller can then use its SET command to modify settings that would typically have to be changed or viewed directly via the unit's display screen, including the DMX Address, DMX Channel Mode, and Temperature Sensors.

## FIXTURE RDM INFORMATION:

Device ID	Device Model ID	RDM Code	Personality ID
0043	43	0x22A6	001: Standard 002: Extended 003: RGB 004: RGB Extended 005: CMY 006: CMY Extended

Please be aware that **not all RDM devices support all RDM features**, and therefore it is important to check beforehand to ensure that the equipment that you are considering includes all of the features that you require.

The following parameters are accessible in RDM on this device:

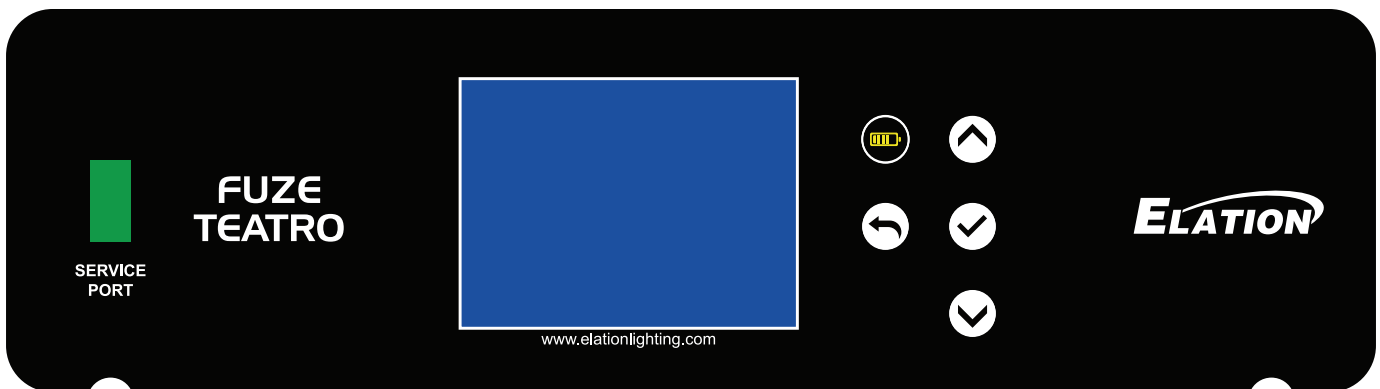
[0x0200] Sensor Definition	[0x0602] Pan Tilt Swap
[0x0201] Sensor Value	[0x0500] Display Invert
[0x0080] Device Model Description	[0x0501] Display Level
[0x0081] Manufacturer Label	[0x0603] Realtime Clock
[0x0082] Device Label	[0x1010] Power State
[0x00E0] DMX Personality	[0x1031] Preset Playback
[0x00E1] DMX Personality Description	[0x0122] Default Slot Value
[0x0400] Device Hours	[0x00B0] Language
[0x0015] Comms Status	[0x00A0] Language Capabilities
[0x0031] Status ID Description	[0x00C2] Boot Software Version Label
[0x0032] Clear Status ID	[0x00C1] Boot Software Version ID
[0x0402] Lamp Strikes	[0x0070] Product Detail ID List
[0x0404] Lamp Mode	[0x0030] Status Messages
[0x0405] Device Power Cycles	[0x1001] Reset Device
[0x0600] Pan Invert	[0x0014] Undefined PID
[0x0601] Tilt Invert	

# CONTROL PANEL

The fixture includes an easy to navigate system menu. The control panel display is located on the rear panel of the fixture (see image below) and provides access to the main system menu, where all necessary system adjustments are made to the fixture. During normal operation, you can navigate through the different menu options with the DOWN and UP buttons. To select the option shown on the screen, press the ENTER (check mark) button, then use the DOWN and UP buttons to adjust the field. Pressing the ENTER button once more will confirm the setting. Exit the main menu at any time without making any adjustments by pressing the BACK button.

The control panel also features a battery charge indicator near the control buttons, as well as a service port for updating the device's software (see the note below).

In default setting, the screen will remain on as long as that device is connected to power. However, it can be configured to lock after a certain period of inactivity by navigating to Settings > Display > Screen Lock in the System Menu. To unlock the device, press and hold the ENTER button until a progress bar appears and fills in.



## DISPLAY SHORTCUTS:

- **To disable pan/tilt:** Press and hold UP and DOWN for 3 seconds.
- **To reset unit to default settings:** Press and hold BACK and ENTER for 10 seconds (screen will count down from 10). Then use UP and DOWN to toggle between "yes" and "no". "Yes" resets the unit to default settings, while "No" returns to the previous menu without making any changes.



**A USB FLASH DRIVE CAN BE USED TO UPDATE THE FIXTURE TO THE LATEST SOFTWARE.** Load the updated software onto a USB Flash Drive, making sure the drive contains no other files, and insert the driver into the USB Service Port. Turn the fixture off, then power it back on. The updated software will load and install automatically.

**AN ELATION C-LOADER II CAN ALSO BE USED TO UPDATE THE FIXTURE TO THE LATEST SOFTWARE.** To order this device, please contact Elation Support for further details.

**ELATION SERVICE USA - Monday - Friday 8:00am to 4:30pm PST**  
323-582-3322 | Fax 323-832-9142 | support@elationlighting.com

**ELATION SERVICE EUROPE - Monday - Friday 08:30 to 17:00 CET**  
+31 45 546 85 63 | Fax +31 45 546 85 96 | support@elationlighting.eu

# SYSTEM MENU

<b>DMX</b>	DMX Address	<b>001</b> - 512		Set DMX address	
	DMX Mode	Standard		Select DMX channel mode	
		<b>Extended</b>			
		RGB			
		RGB Extended			
		CMY			
	CMY Extended				
	No DMX Status	<b>Hold Last</b>		Unit holds last setting if DMX signal is lost or interrupted	
		Fade to Black		Unit display fades to black if DMX signal is lost or interrupted	
		Hibernation	Off, 1min - 99min, <b>default = 15min</b>	Unit goes on standby for the selected time period if DMX signal is lost or interrupted	
	Protocol	Select Signal	<b>DMX</b>		Select signal
			Art-Net		
			sACN		
			Aria In - DMX Out		
		DMX In - Aria Out			
		Universe	0-255, <b>default = 1</b>	Select universe	
		IP Address	2.x.x.x	Set IP address	
Subnet Mask		<b>255.0.0.0</b>	Set subnet mask		
Klingnet		Off / <b>On</b>	Enable or disable Klingnet		
Ethernet DMX Out	<b>Off</b> / On	Enable or disable ethernet out ports			
Aria	Aria Channel	<b>0</b> - 14	Set Aria channel		
<b>CONTROL</b>	Manual Control	Pan		Manual control of each trait	
		Pan Fine			
		Tilt			
		...			
	Reset	All		Reset indicated motors	
		Pan Tilt			
		Gobo			
		Focus and Zoom			
		Others			

# SYSTEM MENU

<b>CONTROL (continued)</b>	Self Test	All	Run indicated self test	
		Dimmer		
		Movement		
		Color Mix		
		Gobo		
		Beam		
<b>SETTINGS</b>	Performance	<b>Ultra Quiet</b>		Select performance mode
		Best Speed		
	Movement	Pan Invert	<b>Off</b> / On	Invert pan movement
		Tilt Invert	<b>Off</b> / On	Invert tilt movement
		Pan Tilt Speed	Smooth / <b>Fast</b>	Select pan/tilt speed setting
		Follow Spot	Off / <b>On</b>	Disables pan/tilt functions
		Pan Tilt Feedback	Off / <b>On</b>	Enable or disable pan/tilt feedback
		Pan Degree	<b>540</b> / 630	Select pan degree
		Pan/Tilt Reset Mode	<b>Fast Reset</b> / Traditional	Select pan/tilt reset mode
	Dimmer Curve	Linear		Select dimmer curve
		Square		
		Square Inverse		
		<b>S-Curve</b>		
	Dimmer Mode	Standard		Select dimmer mode
		Stage		
		TV		
		Architectural		
		Theatre		
		Stage 2		
		Dim Speed	0s - 10s	Set dim speed
	LED Refresh Rate	900Hz - 1500Hz, 2500Hz, 4000Hz, 5000Hz, 6000Hz, <b>10KHz</b> , 15KHz, 20KHz, 25KHz		Set LED refresh rate
	LED Power Limit	50%		Set LED power limit
		60%		
70%				
80%				
90%				
<b>100%</b>				

# SYSTEM MENU

<b>SETTINGS (continued)</b>	Display	Screen Delay	10s - 5min <b>(default = 1min)</b>	Screen enters screen saver mode after selected period of inactivity
		Screen Lock	<b>Off</b> , 10s - 5min	Control panel locks after selected period of inactivity
		Auto Rotate	Off / <b>On</b>	Screen display automatically orients itself to remain upright
	Reset Defaults	Yes / No		Reset unit to factory default settings
<b>INFORMATION</b>	Time	Current Time		Displays current run time
		Total Run Time		Displays lifetime run time
		Last Run Time		Displays last run time
		LED Time		Displays LED on time
	Temperature	Base		Displays base temperature
		LED		Displays LED temperature
	DMX Values	Pan		Displays current DMX values for each parameter
		Tilt		
		....		
	Product IDs	RDM UID		Displays RDM UID
Error Logs	Fixture Errors		Displays logged errors one by one	
Software Version	Vx.x		Displays current software version	
<b>SERVICE (Passcode = 50)</b>	Calibration	Dimmer		Calibrate each parameter
		Pan		
		Tilt		
		...		
	Reset Last Run	Yes / No		Reset last run time
	Reset Error Logs	Yes / No		Clear error log
	Pan Tilt Record	No Record		Allows a more accurate reset after PCB replacement - <b>for use by skilled technicians only!</b>
Pan Record				
Tilt Record				
<b>All Record</b>				

# DMX TRAITS

Std	Ext	RGB	RGB Ext	CMY	CMY Ext	DMX Values	Function	Snap	Def Value
1	1	1	1	1	1	0 - 255	<b>Pan</b> Left → Right		127
2	2	2	2	2	2	0 - 255	<b>Pan Fine</b> Fine Position		127
3	3	3	3	3	3	0 - 255	<b>Tilt</b> Forward → Backward		127
4	4	4	4	4	4	0 - 255	<b>Tilt Fine</b> Fine Position		127
5	5	5	5			0 - 255	<b>Red</b> 0% → 100%		0
	6		6			0 - 255	<b>Red Fine</b> Fine Saturation		0
6	7	6	7			0 - 255	<b>Green</b> 0% → 100%		0
	8		8			0 - 255	<b>Green Fine</b> Fine Saturation		0
7	9	7	9			0 - 255	<b>Blue</b> 0% → 100%		0
	10		10			0 - 255	<b>Blue Fine</b> Fine Saturation		0
8	11					0 - 255	<b>Mint</b> 0% → 100%		0
	12					0 - 255	<b>Mint Fine</b> Fine Saturation		0
9	13					0 - 255	<b>Amber</b> 0% → 100%		0
	14					0 - 255	<b>Amber Fine</b> Fine Saturation		0
				5	5	0 - 255	<b>Cyan</b> 0% → 100%		0
					6	0 - 255	<b>Cyan Fine</b> Fine Saturation		0
				6	7	0 - 255	<b>Magenta</b> 0% → 100%		0
					8	0 - 255	<b>Magenta Fine</b> Fine Saturation		0
				7	9	0 - 255	<b>Yellow</b> 0% → 100%		0
					10	0 - 255	<b>Yellow Fine</b> Fine Saturation		0

# DMX TRAITS

Std	Ext	RGB	RGB Ext	CMY	CMY Ext	DMX Values	Function	Snap	Def Value
10	15	8	11	8	11		<b>Variable CCT</b>		0
						0 - 26	Open (6000K)		
						27 - 85	2400K → 8500K (see <b>Color Temperature Table</b> section of this manual)		
						86 - 255	8500K		
11	16	9	12	9	12		<b>Color</b>		0
						0	Open		
						1 - 179	Virtual Swatch Book (see <b>Virtual Colors</b> section of this manual)		
							<b>Scroll</b>		
						180 - 201	Clockwise Fast → Slow		
						202 - 207	Stop		
						208 - 229	Counter-clockwise Slow → Fast		
						230 - 234	Open		
							<b>Random Slots</b>		
						235 - 239	Fast		
						240 - 244	Medium		
245 - 249	Slow								
250 - 255	Open								
	17				13		<b>Green Shift</b>		0
						0	Idle		
						1 - 127	Full Minus Green to Neutral		
						128	Neutral White		
12	18	10	14	10	14		<b>CCT Crossfade</b>		0
						0	CCT		
						1 - 254	Blend CCT → Color Mix		
						255	Color Mix		
13	19	11	15	11	15		<b>Rotating Gobo Wheel 1</b>		0
						0 - 9	Open		
						10 - 19	Rotating Gobo 1		
						20 - 29	Rotating Gobo 2		
						30 - 39	Rotating Gobo 3		
						40 - 49	Rotating Gobo 4		
						50 - 59	Rotating Gobo 5		
						60 - 69	Rotating Gobo 6		
						70 - 89	Gobo 1 Shake Slow → Fast		
						90 - 109	Gobo 2 Shake Slow → Fast		
						110 - 129	Gobo 3 Shake Slow → Fast		
						130 - 149	Gobo 4 Shake Slow → Fast		
						150 - 169	Gobo 5 Shake Slow → Fast		
170 - 189	Gobo 6 Shake Slow → Fast								



# DMX TRAITS

Std	Ext	RGB	RGB Ext	CMY	CMY Ext	DMX Values	Function	Snap	Def Value
13	19	11	15	11	15		<b>Scroll</b>		0
						190 - 221	Clockwise Fast → Slow		
						222 - 223	Stop		
						224 - 255	Counter-clockwise Slow → Fast		
14	20	12	16	12	16		<b>Rotating Gobo Index / Rotation</b>		0
						0 - 127	Index Position		
							<b>Rotate</b>		
						128 - 189	Clockwise Fast → Slow		
						190 - 193	Stop		
194 - 255	Counter-clockwise Slow → Fast								
15	21	13	17	13	17		<b>Rotating Gobo Index / Rotation Fine</b>		0
						0 - 255	Fine Adjustment		
16	22	14	18	14	18		<b>Rotating Gobo Wheel 2</b>		0
						0 - 9	Open		
						10 - 19	Rotating Gobo 1		
						20 - 29	Rotating Gobo 2		
						30 - 39	Rotating Gobo 3		
						40 - 49	Rotating Gobo 4		
						50 - 59	Rotating Gobo 5		
						60 - 69	Rotating Gobo 6		
						70 - 89	Gobo 1 Shake Slow → Fast		
						90 - 109	Gobo 2 Shake Slow → Fast		
						110 - 129	Gobo 3 Shake Slow → Fast		
						130 - 149	Gobo 4 Shake Slow → Fast		
						150 - 169	Gobo 5 Shake Slow → Fast		
						170 - 189	Gobo 6 Shake Slow → Fast		
							<b>Scroll</b>		
190 - 221	Clockwise Fast → Slow								
222 - 223	Stop								
224 - 255	Counter-clockwise Slow → Fast								
17	23	15	19	15	19		<b>Rotating Gobo Wheel 2 Index/Rotation</b>		0
						0 - 127	Index Position		
							<b>Rotate</b>		
						128 - 189	Clockwise Fast → Slow		
						190 - 193	Stop		
194 - 255	Counter-clockwise Slow → Fast								
18	24	16	20	16	20		<b>Rotating Gobo Wheel 2 Index/Rotation Fine</b>		0
						0 - 255	Fine Adjustment		

# DMX TRAITS

Std	Ext	RGB	RGB Ext	CMY	CMY Ext	DMX Values	Function	Snap	Def Value
19	25	17	21	17	21		<b>Prism</b>	X	0
						0 - 5	Open		
						6 - 31	Prism 2		
						32 - 127	Prism 2		
						128 - 255	Idle		
20	26	18	22	18	22		<b>Prism Index / Rotation</b>		64
						0 - 127	Index Position		
							<b>Rotate</b>		
						128 - 189	Clockwise Fast → Slow		
						190 - 193	Stop		
194 - 255	Counter-clockwise Slow → Fast								
21	27	19	23	19	23	0 - 255	<b>Prism Index / Rotation Fine</b> Fine Adjustment		127
22	28	20	24	20	24	0 - 255	<b>Focus</b>		127
							Infinity → Near		
	29		25		25	0 - 255	<b>Focus Fine</b> Fine Adjustment		127
23	30	21	26	21	26	0 - 255	<b>Zoom</b>		127
							Narrow → Wide		
24	31	22	27	22	27	0 - 255	<b>Zoom Fine</b>		127
							Fine Adjustment		
25	32	23	28	23	28		<b>Strobe</b>		50
						0 - 31	Closed		
						32 - 63	Open		
						64 - 95	Strobe effect slow → fast		
						96 - 127	Open		
						128 - 159	Pulse effect		
						160 - 191	Open		
						192 - 223	Random Slow → Fast		
224 - 255	Open								
26	33	24	29	24	29	0 - 255	<b>Dimmer</b>		0
							0% → 100%		
27	34	25	30	25	30	0 - 255	<b>Dimmer Fine</b>		0
							Fine Adjustment		
	35		31		31		<b>Dimmer Modes</b>	X	0
						0 - 20	Standard		
						21 - 40	Stage		
						41 - 60	TV		
						61 - 80	Architectural		
						81 - 100	Theatre		
101 - 120	Stage 2								

# DMX TRAITS

Std	Ext	RGB	RGB Ext	CMY	CMY Ext	DMX Values	Function	Snap	Def Value
							<b>Dimmer Time</b>		
						121	0s		
						122	0.1s		
						123	0.2s		
						124	0.3s		
						125	0.4s		
						126	0.5s		
						127	0.6s		
						128	0.7s		
						129	0.8s		
						130	0.9s		
	35		31		31	131	1.0s	X	0
						132	1.5s		
						133	2.0s		
						134	3.0s		
						135	4.0s		
						136	5.0s		
						137	6.0s		
						138	7.0s		
						139	8.0s		
						140	9.0s		
						141	10s		
						142 - 255	Idle		
28	36	26	32	26	32	0 - 255	<b>Iris</b> Open → Closed		0
	37		33		33	0 - 255	<b>Iris Fine</b> Fine Adjustment		0
29	38	27	34	27	34	0 - 255	<b>Frost (Light)</b> Open → Closed		0
30	39	28	35	28	35	0 - 255	<b>Frost (Wash)</b> Open → Closed		0
31	40	29	36	29	36		<b>Animation Wheel</b>		
						0 - 7	Open		0
						8 - 255	Animation Min → Max		
32	41	30	37	30	37		<b>Animation Index / Rotation</b>		
						0 - 127	Index Position		
							<b>Rotate</b>		
						128 - 189	Clockwise Fast → Slow		64
						190 - 193	Stop		
						194 - 255	Counter-clockwise Slow → Fast		
33	42	31	38	31	38	0 - 255	<b>Blade 1 A</b> Open → Closed		0

# DMX TRAITS

Std	Ext	RGB	RGB Ext	CMY	CMY Ext	DMX Values	Function	Snap	Def Value
	43		39		39	0 - 255	<b>Blade 1 A Fine</b> Fine Adjustment		0
34	44	32	40	32	40	0 - 255	<b>Blade 1 B</b> Open → Closed		0
	45		41		41	0 - 255	<b>Blade 1 B Fine</b> Fine Adjustment		0
35	46	33	42	33	42	0 - 255	<b>Blade 2 A</b> Open → Closed		0
	47		43		43	0 - 255	<b>Blade 2 A Fine</b> Fine Adjustment		0
36	48	34	44	34	44	0 - 255	<b>Blade 2 B</b> Open → Closed		0
	49		45		45	0 - 255	<b>Blade 2 B Fine</b> Fine Adjustment		0
37	50	35	46	35	46	0 - 255	<b>Blade 3 A</b> Open → Closed		0
	51		47		47	0 - 255	<b>Blade 3 A Fine</b> Fine Adjustment		0
38	52	36	48	36	48	0 - 255	<b>Blade 3 B</b> Open → Closed		0
	53		49		49	0 - 255	<b>Blade 3 B Fine</b> Fine Adjustment		0
39	54	37	50	37	50	0 - 255	<b>Blade 4 A</b> Open → Closed		0
	55		51		51	0 - 255	<b>Blade 4 A Fine</b> Fine Adjustment		0
40	56	38	52	38	52	0 - 255	<b>Blade 4 B</b> Open → Closed		0
	57		53		53	0 - 255	<b>Blade 4 B Fine</b> Fine Adjustment		0
41	58	39	54	39	54		<b>Framing Rotation</b>		127
						0 - 126	Min (-60°)		
						127 - 128	Parallel (0°)		
						129 - 255	Max (+60°)		
	59		55		55		<b>Pan / Tilt Speed</b>	X	0
						0 - 225	Max → Min Speed		
						226 - 235	Blackout by movement		
						236 - 245	Blackout by wheel changes		
						246 - 255	No function		

# DMX TRAITS

Std	Ext	RGB	RGB Ext	CMY	CMY Ext	DMX Values	Function	Snap	Def Value
42	60	40	56	40	56		<b>Control</b>	X	0
						0 - 19	Wheel Snap		
						20 - 39	Wheel Fade		
							<b>Performance Mode*</b>		
						40 - 44	Ultra Quiet (default)		
						45 - 49	Best Speed		
						50 - 79	Idle		
							<b>Reset</b>		
						80 - 84	All		
						85 - 87	Pan / Tilt		
						88 - 90	Gobo		
						91 - 93	Focus and Zoom		
						94 - 96	Others		
						97 - 99	Idle		
							<b>Refresh Rate (Hz)</b>		
						100	900		
						101	910		
						102	920		
						103	930		
						104	940		
						105	950		
						106	960		
						107	970		
						108	980		
						109	990		
						110	1000		
						111	1010		
112	1020								
113	1030								
114	1040								
115	1050								
116	1060								
117	1070								
118	1080								
119	1090								
120	1100								
121	1110								
122	1120								
123	1130								
124	1140								
125	1150								
126	1160								
127	1170								

# DMX TRAITS

Std	Ext	RGB	RGB Ext	CMY	CMY Ext	DMX Values	Function	Snap	Def Value
42	60	40	56	40	56		<b>Refresh Rate (Hz) (continued)</b>	X	0
						128	1180		
						129	1190		
						130	1200		
						131	1210		
						132	1220		
						133	1230		
						134	1240		
						135	1250		
						136	1260		
						137	1270		
						138	1280		
						139	1290		
						140	1300		
						141	1310		
						142	1320		
						143	1330		
						144	1340		
						145	1350		
						146	1360		
						147	1370		
						148	1380		
						149	1390		
						150	1400		
						151	1410		
						152	1420		
						153	1430		
						154	1440		
						155	1450		
						156	1460		
						157	1470		
158	1480								
159	1490								
160	1500								
161	2500								
162	4000								
163	5000								
164	6000								
165	10000 (default)								
166	15000								
167	20000								
168	25000								
169 - 200	Idle								

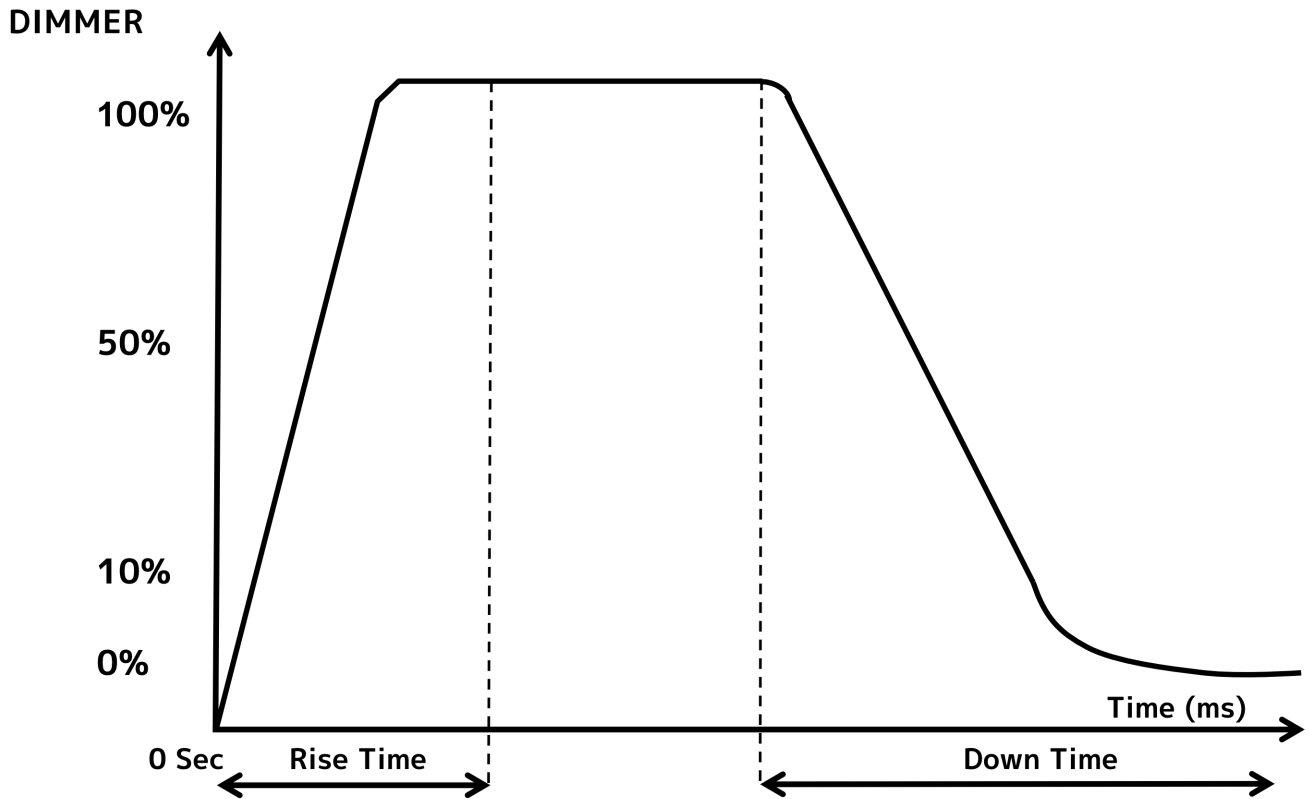
# DMX TRAITS

Std	Ext	RGB	RGB Ext	CMY	CMY Ext	DMX Values	Function	Snap	Def Value
42	60	40	56	40	56		<b>Dimmer Curves</b>	X	0
						201 - 210	Linear		
						211 - 220	Square		
						221 - 230	Inverse Square		
						231 - 240	S-Curve (default)		
						241 - 255	Idle		

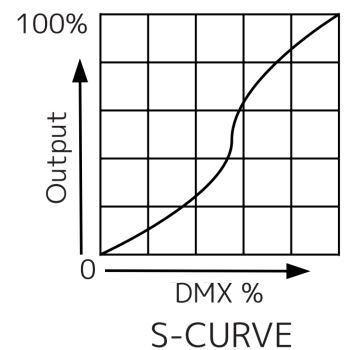
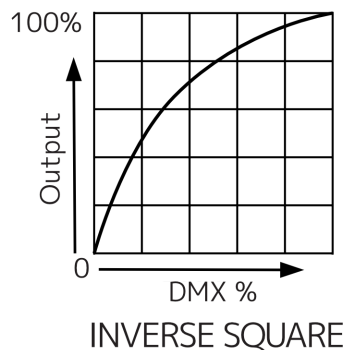
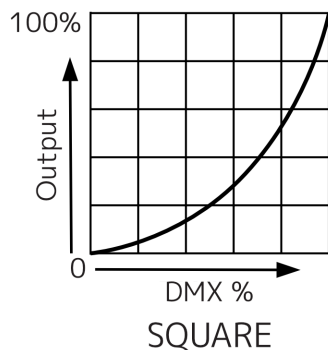
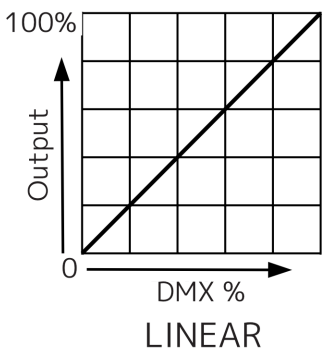
## \*NOTES:

- **Performance Mode, Ultra Quiet:** Most motors are slowed down in order to reduce noise and vibration, and motors that support functions that generate noise (such as pan, tilt, focus, and zoom) gradually ramp up and down as needed.
- **Performance Mode, Best Speed:** Motors move at optimized speed.

# DIMMER MODES & CURVES



Dimming Curve Ramp Effect	0 sec Fade Time		1 sec Fade Time	
	Rise Time (ms)	Down Time (ms)	Rise Time (ms)	Down Time (ms)
Standard (default)	0	0	0	0
Stage	780	1100	1540	1660
TV	1180	1520	1860	1940
Architectural	1380	1730	2040	2120
Theatre	1580	1940	2230	2280
Stage 2	0	1100	0	1660





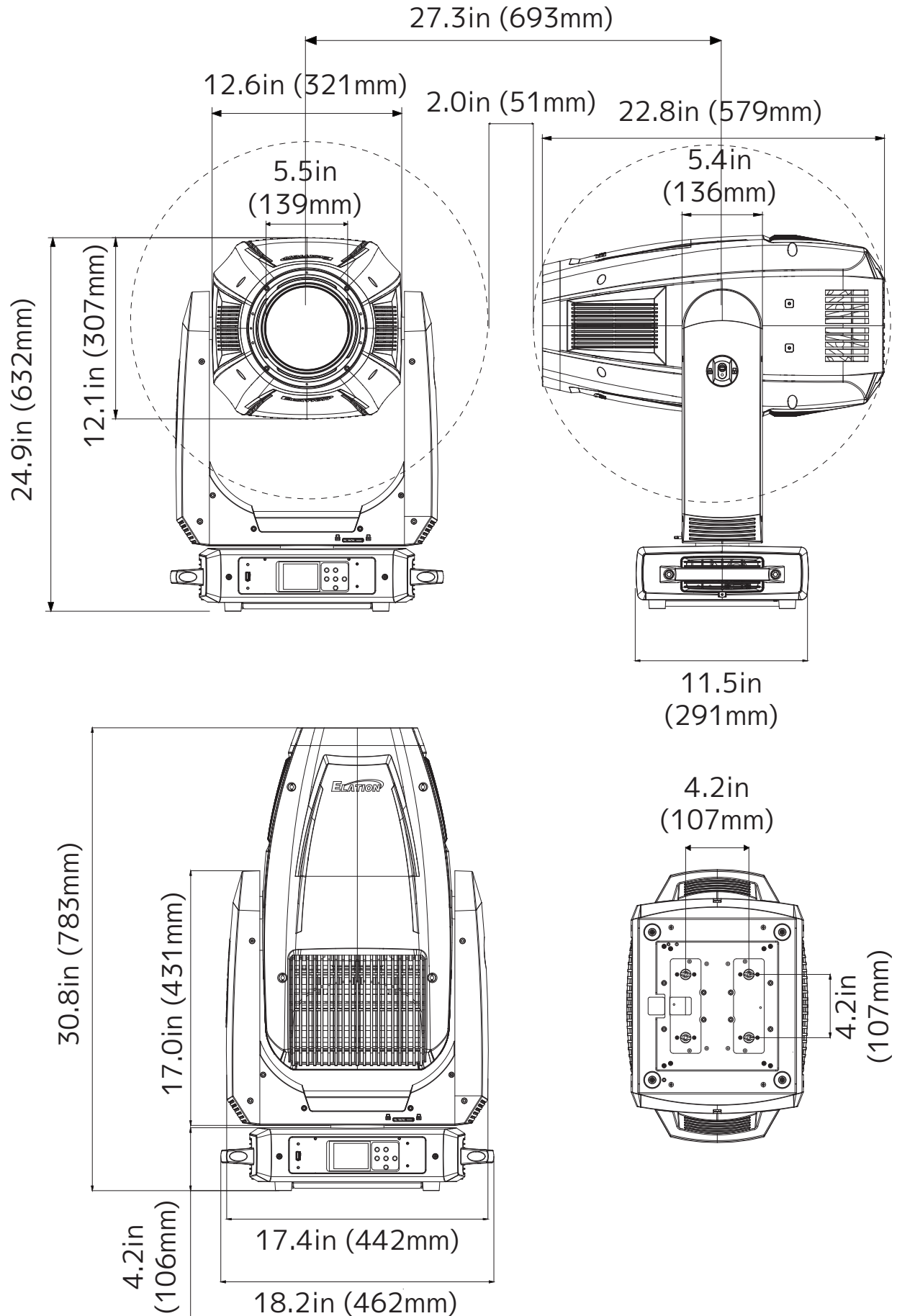
# COLOR TEMPERATURE CHART

DMX VALUE	COLOR TEMPERATURE (K)	DMX VALUE	COLOR TEMPERATURE (K)
24	2400	63	6300
25	2500	64	6400
26	2600	65	6500
27	2700	66	6600
28	2800	67	6700
29	2900	68	6800
30	3000	69	6900
31	3100	70	7000
32	3200	71	7100
33	3300	72	7200
34	3400	73	7300
35	3500	74	7400
36	3600	75	7500
37	3700	76	7600
38	3800	77	7700
39	3900	78	7800
40	4000	79	7900
41	4100	80	8000
42	4200	81	8100
43	4300	82	8200
44	4400	83	8300
45	4500	84	8400
46	4600	85	8500
47	4700		
48	4800		
49	4900		
50	5000		
51	5100		
52	5200		
53	5300		
54	5400		
55	5500		
56	5600		
57	5700		
58	5800		
59	5900		
60	6000		
61	6100		
62	6200		

# COLOR MACROS CHART

Value	Filter Number	Name	Value	Filter Number	Name
1	7	Pale Yellow	32	49	Medium Purple
2	103	Straw	33	58	Lavender
3	151	Gold Tint	34	199	Palace Blue
4	100	Spring Yellow	35	119	Dark Blue
5	10	Medium Yellow	36	132	Medium Blue
6	101	Yellow	37	120	Deep Blue
7	104	Deep Amber	38	165	Daylight Blue
8	15	Deep Straw	39	161	Slate Blue
9	179	Loving Amber	40	118	Light Blue
10	21	Gold Amber	41	68	Sky Blue
11	105	Orange	42	143	Pale Navy Blue
12	158	Deep Orange	43	131	Marine Blue
13	22	Dark Amber	44	115	Peacock Blue
14	778	Millenium Gold	45	172	Lagoon Blue
15	135	Deep Golden Ambe	46	116	Medium Blue Green
16	24	Scarlet	47	90	Dark Yellow Green
17	106	Primary Red	48	139	Primary Green
18	26	Bright Red	49	122	Fern Green
19	27	Medium Red	50	89	Moss Green
20	19	Fire	51	124	Dark Green
21	157	Pink	52	88	Lime Green
22	36	Medium Pink	53	138	Pale Green
23	111	Dark Pink	54	203	Quarter CT Blue
24	128	Bright Pink	55	202	Half CT Blue
25	148	Bright Rose	56	201	FULL CT Blue
26	332	Special Rose Pink	57	200	double CT Blue
27	793	Vanity Fair	58	206	Quarter CT Orange
28	113	Magenta	59	205	Half CT Orange
29	46	Dark Magenta	60	204	FULL CT Orange
30	48	Rose Purple	61-179		No function
31	126	Mauve			

# DIMENSIONAL DRAWINGS



# SPECIFICATIONS

## SOURCE

480W 6,500K RGBMA LED Engine  
30,000 Hour Average LED Life\*  
\*Test lab conditions. May vary depending on several factors including but not limited to: Environmental Conditions, Power/Voltage, Usage Patterns (On-Off Cycling), Control, and Dimming.

## PHOTOMETRIC DATA

15,000 Total Lumen Output  
CRI 92  
Zoom Range 7° - 50°

## EFFECTS

Motorized Zoom  
4 Rotating Full Blackout Framing Blades, +/- 60° Index  
Dual Variable Frost Filter (Medium/ Wash)  
4 Facet Round, 4 Facet Linear Prism  
Motorized Iris  
Variable 16-bit Dimming Curve Modes  
High Speed Electronic Shutter and Strobe  
Pan Angle: 540° / 630°  
Tilt Angle: 250°  
Motionless Reset

## COLOR

RGBMA Color Array  
CMY Emulation  
Variable CCT 2400K - 8500K  
Green/Magenta Shift  
Virtual Gel Swatch Book

## GOBOS

2x 6 Rotating / Indexing Interchangeable Glass Gobos  
Animation Wheel

## CONTROL / CONNECTIONS

16-bit Pan, Tilt, and Dimming Control  
DMX Adjustable LED Frequency  
DMX, RDM, Art-NET, sACN Protocol Support  
4 Button Touch Control Panel  
Full Color 180° Reversible LCD Menu Display  
16 Bit Resolution Adjustable Movement  
5pin DMX In/Out  
Locking Ethernet In/Out  
IP65 Locking Power In/Out

## SIZE / WEIGHT

Length: 18.1 in (462mm)  
Width: 11.8 in (300mm)  
Height: 31.4 in (798mm)  
Weight: 79.4 lbs. (36kg)

## ELECTRICAL / THERMAL

AC 100-240V - 50/60Hz  
725W Max Power Consumption  
14°F to 113°F (-10°C to 45°C)

## APPROVALS / RATINGS

CE | cETLus | IP20



# ORDERING INFORMATION

SKU (US)	SKU (EU)	ITEM DESCRIPTION
FUZ625	1237000274	Elation Fuze Teatro

# ERROR CODES

Error Codes subject to change without notice	
ERROR CODES	DESCRIPTION
Pan	Pan Motor Error
Tilt	Tilt Motor Error
RotGobo1	Rotating Gobo 1 Error
GoboRot1	Gobo Wheel 1 Rotation Error
RotGobo2	Rotating Gobo 2 Error
GoboRot2	Gobo Wheel 2 Rotation Error
Animation	Animation Wheel Motor Error
AnimationRot	Animation Rotation Motor Error
Zoom	Zoom Motor Error
Focus	Focus Motor Error
Prism1	Prism 1 Motor Error
Prism1Rot	Prism 1 Rotation Motor Error
Prism2	Prism 2 Motor Error
Prism2Rot	Prism 2 Rotation Motor Error
Frost1	Frost 1 Motor Error
Frost2	Frost 2 Motor Error
Blade	Blade Motor Error
LED Temp	LED Temperature Error
Base Temp	Base Temperature Error

