



PROTEUS
BRUTUS
user manual

©2023 ELATION PROFESSIONAL all rights reserved. Information, specifications, diagrams, images, and instructions herein are subject to change without notice. ELATION PROFESSIONAL logo and identifying product names and numbers herein are trademarks of ELATION PROFESSIONAL. Copyright protection claimed includes all forms and matters of copyrightable materials and information now allowed by statutory or judicial law or hereinafter granted. Product names used in this document may be trademarks or registered trademarks of their respective companies and are hereby acknowledged. All non-ELATION brands and product names are trademarks or registered trademarks of their respective companies.

ELATION PROFESSIONAL and all affiliated companies hereby disclaim any and all liabilities for property, equipment, building, and electrical damages, injuries to any persons, and direct or indirect economic loss associated with the use or reliance of any information contained within this document, and/or as a result of the improper, unsafe, insufficient and negligent assembly, installation, rigging, and operation of this product.

Elation Professional USA | 6122 S. Eastern Ave. | Los Angeles, CA. 90040

323-582-3322 | 323-832-9142 fax | www.elationlighting.com | info@elationlighting.com

Elation Professional B.V. | Junostraat 2 | 6468 EW Kerkrade, The Netherlands

+31 45 546 85 66 | +31 45 546 85 96 fax | www.elationlighting.eu | info@elationlighting.eu

Elation Professional Mexico | AV Santa Ana 30 | Parque Industrial Lerma, Lerma, Mexico 52000

+52 (728) 282-7070

DOCUMENT VERSION



Due to additional product features and/or enhancements, an updated version of this document may be available online. Please scan the QR Code with your mobile device or visit www.elationlighting.com for the latest revision/update of this manual, before installation and/or programming.

Date	Document Version	SoftwareVersion ≥	DMX Channel Modes	Notes
08/01/22	1	1.2	25, 36, 34, 56	Initial Release
02/06/23	1.1	No Change	No Change	Updated Specifications; added IP65 Rated, Diffuser Filter and Diffuser Lens Removal
02/15/23	1.2	No Change	No Change	Removed Diffuser Lens
03/14/23	1.3	No Change	No Change	Updated Iris & Framing Assembly Installation, Diffuser Filter, Specifications
05/08/23	1.4	No Change	No Change	Add center-to-center dimension
07/17/23	1.5	No Change	No Change	Remove tipping page, update accessories
11/30/23	1.6	No Change	No Change	Added Valve Locations Updated Specifications
01/17/24	1.7	No Change	No Change	Updated Error Codes

CONTENTS

General Information	4
IP65 Rated	5
Limited Warranty (USA Only)	6
Safety Guidelines	7
Maintenance Guidelines	9
Overview	10
Colors and Gobos	11
Gobo Installation	13
Iris & Framing Assembly Installation	14
Diffuser Filter	17
Torque Settings for Screws	18
IP Test Parameters	19
Fan Modes and Low Noise Operation	20
Installation Guidelines	21
Sun Protection Mode Hibernation Mode	26
System Menu	27
Dimmer Curve	34
DMX Traits: Channel Functions & Values	35
Remote Device Management (RDM)	42
Error Codes	43
Software Updates	44
Specifications	48
Dimensional Drawings	49
Optional Accessories FCC Statement	51

GENERAL INFORMATION

FOR PROFESSIONAL USE ONLY

INTRODUCTION

Please read and understand the instructions in this manual carefully and thoroughly before attempting to operate this device. These instructions contain important safety and use information.

COOLING

After usage, the lamp may be switched off, but the fixture should remain connected to power in order to allow the fan time to cool down the fixture.

UNPACKING

Every device has been thoroughly tested and has been shipped in perfect operating condition. Carefully check the shipping carton for damage that may have occurred during shipping. If the carton is damaged, carefully inspect the device for damage, and be sure all accessories necessary to install and operate the device have arrived intact. In the event damage has been found or parts are missing, please contact our customer support team for further instructions. Please do not return this device to your dealer without first contacting customer support. Please do not discard the shipping carton in the trash. Please recycle whenever possible.

BOX CONTENTS

Omega Brackets (x2)

IP65 Rated 5pin DMX Cable

IP65 Rated RJ45 DATA Cable (Fixture to Fixture Interconnect Use Only!)

IP65 Rated Power Cable

CUSTOMER SUPPORT

Contact ELATION Service for any product related service and support needs.

Also visit forums.elationlighting.com with questions, comments or suggestions.

ELATION SERVICE USA - Monday - Friday 8:00am to 4:30pm PST

323-582-3322 | Fax 323-832-9142 | support@elationlighting.com

ELATION SERVICE EUROPE - Monday - Friday 08:30 to 17:00 CET

+31 45 546 85 63 | Fax +31 45 546 85 96 | support@elationlighting.eu

REPLACEMENT PARTS please visit parts.elationlighting.com

It is strongly recommended to power the fixture down completely when not in use. Doing so will reduce wear on the fixture due to sustained or extended operational periods, thereby maximizing its operational lifespan.

IP65 RATED

The International Protection (IP) rating system is commonly expressed as “IP” (Ingress Protection) followed by two numbers (i.e. IP65), where the numbers define the degree of protection. The first digit (Foreign Bodies Protection) indicates the extent of protection against particles entering the fixture, and the second digit (Water Protection) indicates the extent of protection against water entering the fixture. An **IP65** rated lighting fixture is designed and tested to protect against the ingress of dust (**6**), and low-pressure water jets from any direction (**5**).

Maritime/Coastal Environment Installations: A coastal environment is seaside adjacent, and caustic to electronics through exposure to atomized salt-water and humidity, whereas maritime is anywhere within 5-miles of a coastal environment.

Maritime installations require additional preparation, and additional service intervals may be needed given the maritime use. In general, IP ratings presuppose freshwater conditions VS maritime conditions, which are typically more “caustic” to IP fixtures (both internally and externally). A duty-cycle may also be needed when units are not in use. During times of high humidity and colder temperatures, condensation may occur internally so the fixture may require a duty-cycle to bring it up to running temperature, allowing any accumulation of moisture to be expelled via the vent valve. Recommendations can change based on installation environmental circumstances.

NOTE: NOT ALL FEATURES LISTED ARE AVAILABLE ON ALL FIXTURES; THE FOLLOWING INSTRUCTIONS MAY NOT APPLY. CONTACT SUPPORT FOR ADDITIONAL DETAILS.

Exterior Maintenance: Inspect the exterior every 30-days. The unit must be powered off/disconnected. The chassis should be inspected for any signs of contaminants. Inspect optics to determine if the lens is obstructed, then clean optics and chassis accordingly. Based on initial finding, schedule maintenance accordingly, keeping in mind that exterior maintenance will be required. Even if the luminaires are NOT in use, maintenance will still be needed given its location (exterior use). The use of a durable type of wax on the chassis is recommended since it will help prevent contaminant build up. Inspect both power and data lines for any signs of contaminants or corrosion. Periodically reapplying di-electric grease, especially in coastal environments. If any signs of corrosion/contaminants are present, clean thoroughly, and/or replace connectors, then reapply di-electric grease. Typically, this should be done annually, or any time an opportunity presents itself. As a preventive measure, annual replacement of both vent valves is recommended. The vent valve membrane can become contaminated and/or clogged causing improper venting of humidity within the luminaire. Inspect all mounting hardware as a precaution.

Interior Maintenance: Inspect the interior every 30-days. The unit must be powered off/disconnected.

- Inspect zoom/focus mechanism, clean optics, lubricate linear bearings (Krytox oil) as needed, inspect belts for wear
- Inspect all rotating effect wheels, manually rotate them, note any resistance
- Inspect all remaining rotating belts for any wear
- Inspect all fans, clean as needed, check rotation, check connections
- Inspect CMY module, manually move flags and check for signs of resistance, and if needed, clean guide rods first, then reapply a thin layer of grease (moly lube)
- Clean interior with low-volume compressed air, then clean optics prior to reassembly of head covers

Although the base has limited moving parts, the pan belt should also be inspected for wear. Remember to always perform an IP test anytime a cover is removed.

There is no specific time frame regarding the routine replacement of parts such as belts/stepper motors, PCBs, or LEDs. These items should only be replaced on an as needed bases, except for cooling fans, which should be replaced once the luminaries reach 10,000-hours. This is a prophylactic measure intended to keep the unit running as cool as possible, insuring proper function of all internal components. A complete service breakdown is available, please contact service@elationlighting.com for any needed parts or manuals.

LIMITED WARRANTY (USA ONLY)

- A. Elation Professional hereby warrants, to the original purchaser, Elation Professional products to be free of manufacturing defects in material and workmanship for a period of two years (730 days), and Elation Professional product rechargeable batteries to be free of manufacturing defects in material and workmanship for a period of six months (180 days), from the original date of purchase. This warranty excludes discharge lamps and all product accessories. This warranty shall be valid only if the product is purchased within the United States of America, including possessions and territories. It is the owner's responsibility to establish the date and place of purchase by acceptable evidence, at the time service is sought.
- B. For warranty service, send the product only to the Elation Professional factory. All shipping charges must be pre-paid. If the requested repairs or service (including parts replacement) are within the terms of this warranty, Elation Professional will pay return shipping charges only to a designated point within the United States. If any product is sent, it must be shipped in its original package and packaging material. No accessories should be shipped with the product. If any accessories are shipped with the product, Elation Professional shall have no liability what so ever for loss and/or damage to any such accessories, nor for the safe return thereof.
- C. This warranty is void if the product serial number and/or labels are altered or removed; if the product is modified in any manner which Elation Professional concludes, after inspection, affects the reliability of the product; if the product has been repaired or serviced by anyone other than the Elation Professional factory unless prior written authorization was issued to purchaser by Elation Professional; if the product is damaged because not properly maintained as set forth in the product instructions, guidelines and/or user manual.
- D. This is not a service contract, and this warranty does not include any maintenance, cleaning or periodic check-up. During the periods as specified above, Elation Professional will replace defective parts at its expense, and will absorb all expenses for warranty service and repair labor by reason of defects in material or workmanship. The sole responsibility of Elation Professional under this warranty shall be limited to the repair of the product, or replacement thereof, including parts, at the sole discretion of Elation Professional. All products covered by this warranty were manufactured after January 1, 1990, and bare identifying marks to that effect.
- E. Elation Professional reserves the right to make changes in design and/or performance improvements upon its products without any obligation to include these changes in any products theretofore manufactured.
- F. No warranty, whether expressed or implied, is given or made with respect to any accessory supplied with the products described above. Except to the extent prohibited by applicable law, all implied warranties made by Elation Professional in connection with this product, including warranties of merchantability or fitness, are limited in duration to the warranty periods set forth above. And no warranties, whether expressed or implied, including warranties of merchantability or fitness, shall apply to this product after said periods have expired. The consumer's and/or dealer's sole remedy shall be such repair or replacement as is expressly provided above; and under no circumstances shall Elation Professional be liable for any loss and/or damage, direct and/or consequential, arising out of the use of, and/or the inability to use, this product.
- G. This warranty is the only written warranty applicable to Elation Professional products and supersedes all prior warranties and written descriptions of warranty terms and conditions heretofore published.

WARRANTY RETURNS

All returned service items whether under warranty or not, must be freight pre-paid and accompany a return authorization (R.A.) number. The R.A. number must be clearly written on the outside of the return package. A brief description of the problem as well as the R.A. number must also be written down on a piece of paper and included in the shipping container. If the unit is under warranty, you must provide a copy of your proof of purchase invoice. Items returned without a R.A. number clearly marked on the outside of the package will be refused and returned at customer's expense. You may obtain a R.A. number by contacting customer support.

SAFETY GUIDELINES

This fixture is a sophisticated piece of electronic equipment. To guarantee a smooth operation, it is important to follow all instructions and guidelines in this manual. Elation Professional is not responsible for injury and/or damages resulting from the misuse of this fixture due to the disregard of the information printed in this manual. Only qualified and/or certified personnel should perform installation of this fixture and only the original rigging parts (omega brackets) included with this fixture should be used for installation. Any modifications to the fixture and/or the included mounting hardware will void the original manufacturer's warranty and increase the risk of damage and/or personal injury.



PROTECTION CLASS 1 - FIXTURE MUST BE PROPERLY GROUNDED.



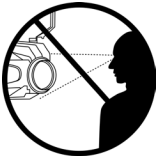
**THERE ARE NO USER SERVICEABLE PARTS INSIDE THIS UNIT.
DO NOT ATTEMPT ANY REPAIRS YOURSELF; DOING SO WILL VOID YOUR MANUFACTURER'S WARRANTY. DAMAGES RESULTING FROM MODIFICATIONS TO THIS FIXTURE AND/OR THE DISREGARD OF SAFETY INSTRUCTIONS AND GUIDELINES IN THIS MANUAL VOID THE MANUFACTURER'S WARRANTY AND ARE NOT SUBJECT TO ANY WARRANTY CLAIMS AND/OR REPAIRS.**



ENSURE ALL CONNECTIONS AND END CAPS ARE PROPERLY SEALED WITH A DIELECTRIC GREASE (AVAILABLE AT MOST ELECTRICAL SUPPLIERS) TO PREVENT WATER CORROSION AND/OR ELECTRICAL SHORT CIRCUIT.



**DO NOT PLUG FIXTURE INTO A DIMMER PACK!
NEVER OPEN THIS FIXTURE WHILE IN USE!
UNPLUG POWER BEFORE SERVICING FIXTURE!
NEVER TOUCH FIXTURE DURING OPERATION, AS IT MAY BE HOT!
KEEP FLAMMABLE MATERIALS AWAY FROM FIXTURE!**




**NEVER LOOK DIRECTLY INTO THE LIGHT SOURCE!
RETINA INJURY RISK - MAY INDUCE BLINDNESS!
SENSITIVE PERSONS MAY SUFFER AN EPILEPTIC SHOCK!**



**MINIMUM DISTANCE TO OBJECTS/SURFACES
MUST BE 16.4 FEET (5 METERS)
MAXIMUM TEMP OF EXTERNAL SURFACE 185° F (85°C)
MINIMUM DISTANCE OF INFLAMMABLE MATERIALS
FROM THE SURFACE 1.6 FEET (0.5 METER)**

SAFETY GUIDELINES

 <p>110.2 lbs. (50 kg)</p>	<p>WARNING</p> <p>TWO PERSON LIFT REQUIRED</p>
---	--

! CAUTION

HIGH INTENSITY ULTRAVIOLET LIGHT



**AVOID DIRECT EYE & SKIN EXPOSURE.
WEAR PROPER EYE & SKIN PROTECTION.
SEE MANUAL FOR SAFETY INSTRUCTIONS.**

RISK GROUP 3 - RISK OF EXPOSURE TO ULTRAVIOLET UV RADIATION! FIXTURE EMITS HIGH INTENSITY WAVELENGTH OF ULTRAVIOLET UV LIGHT FROM THE UV COLOR FILTER. WEAR PROPER EYE AND SKIN PROTECTION. AVOID PROLONGED PERIODS OF EXPOSURE TO UV COLOR FILTER. AVOID WEARING WHITE COLOR CLOTHING AND/OR USING UV PAINTS ON SKIN. AVOID DIRECT EYE AND/OR SKIN EXPOSURE AT DISTANCES LESS THAN 65.6 feet (20m). DO NOT OPERATE FIXTURE WITH DAMAGED/MISSING EXTERNAL COVERS. DO NOT LOOK DIRECTLY INTO THE UV LIGHT AND/OR VIEW UV LIGHT DIRECTLY WITH OPTICAL INSTRUMENTS THAT MAY CONCENTRATE THE LIGHT/RADIATION OUTPUT. INDIVIDUALS SUFFERING FROM A RANGE OF EYE CONDITIONS, SUNLIGHT

EXPOSURE DISORDERS, OR INDIVIDUALS USING PHOTSENSITIVE MEDICATION, MAY RECEIVE DISCOMFORT IF EXPOSED TO THE ULTRAVIOLET UV LIGHT EMITTED FROM THE UV LED.

DO NOT TOUCH the fixture housing during operation. Turn OFF the power and allow approximately 15 minutes for the fixture to cool down before serving.

DO NOT shake fixture, avoid brute force when installing and/or operating fixture.

DO NOT operate fixture if the power cord is frayed, crimped, damaged and/or if any of the power cord connectors are damaged and do not insert into the fixture securely with ease. **NEVER** force a power cord connector into the fixture. If the power cord or any of its connectors are damaged, replace it immediately with a new one of similar power rating.

DO NOT block any air ventilation slots.

All fan and air inlets must remain clean and never blocked.

Allow approx. 16.4-feet (5.0m) between fixture and other devices or a wall for proper cooling.

Always disconnect fixture from main power source before performing any type of service and/or cleaning procedure. Only handle the power cord by the plug end, never pull out the plug by tugging the wire portion of the cord.

During the initial operation of this fixture, a light smoke or smell may emit from the interior of the fixture. This is a normal process and is caused by excess paint in the interior of the casing burning off from the heat associated with the lamp and will decrease gradually over time.

Consistent operational breaks will ensure fixture will function properly for many years.

ONLY use the original packaging and materials to transport the fixture in for service.

MAINTENANCE GUIDELINES



DISCONNECT POWER BEFORE PERFORMING ANY MAINTENANCE!

CLEANING

Frequent cleaning is recommended to insure proper function, optimized light output, and an extended life. The frequency of cleaning depends on the environment in which the fixture operates: damp, smoky or particularly dirty environments can cause greater accumulation of dirt on the fixture's optics. Clean the external lens surface at least every 20 days with a soft cloth to avoid dirt/debris accumulation.

NEVER use alcohol, solvents, or ammonia-based cleaners.

MAINTENANCE

Regular inspections are recommended to insure proper function and extended life.

There are no user serviceable parts inside this fixture, please refer all other service issues to an authorized Elation service technician. Should you need any spare parts, please order genuine parts from an authorized Elation dealer.

Please refer to the following points during routine inspections:

A detailed electric check by an approved electrical engineer every three months, to make sure the circuit contacts are in good condition and prevent overheating.

Be sure all screws and fasteners are securely tightened at all times. Loose screws may fall out during normal operation resulting in damage or injury as larger parts could fall.

Check for any deformations on the housing, color lenses, rigging hardware and rigging points (ceiling, suspension, trussing). Deformations in the housing could allow for dust to enter into the fixture. Damaged rigging points or unsecured rigging could cause the fixture to fall and seriously injure a person(s).

Electric power supply cables must not show any damage, material fatigue or sediments.

NEVER remove the ground prong from the power cable.

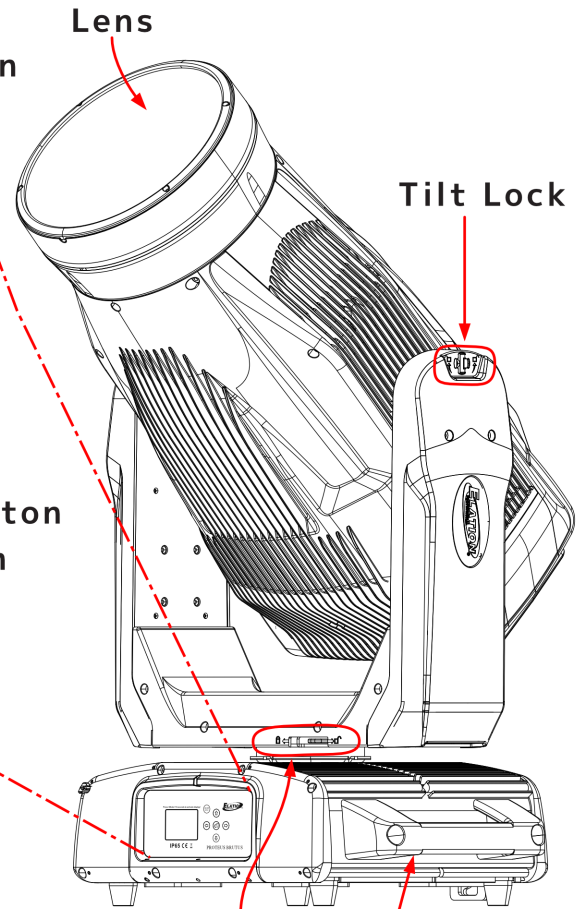
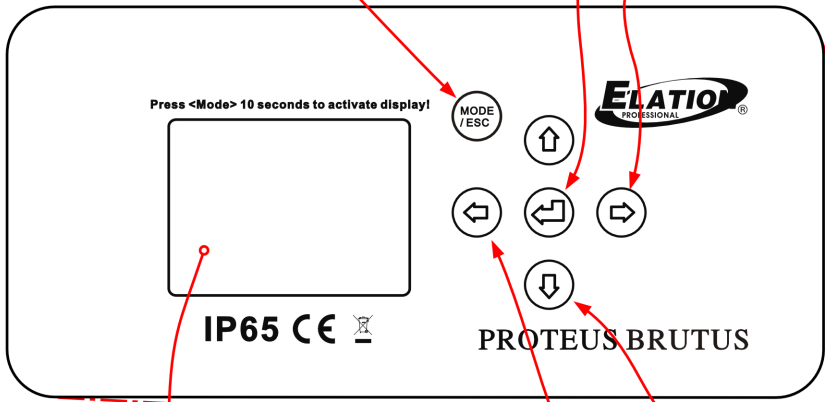
FIXTURE DISASSEMBLY

The following points should be observed after performing any maintenance procedure that requires disassembly of the unit:

- After the unit has been reassembled, open the valve, and allow the light to run for approximately 2 hours in order to dry out any moisture that has been trapped inside the fixture. The process should continue until indicated humidity drops below 15% for the head and 30% for the base.
- Once this has been achieved, the light can be switched off, but the unit should remain connected to power so that the cooling fan can cool down the unit. Please note that allowing cool down time should **ALWAYS** be done after lamp operation.
- Some units may require partial disassembly in order to gain access to the valve. Please contact Elation service for information regarding the location and access procedure for the valve on your specific unit model.

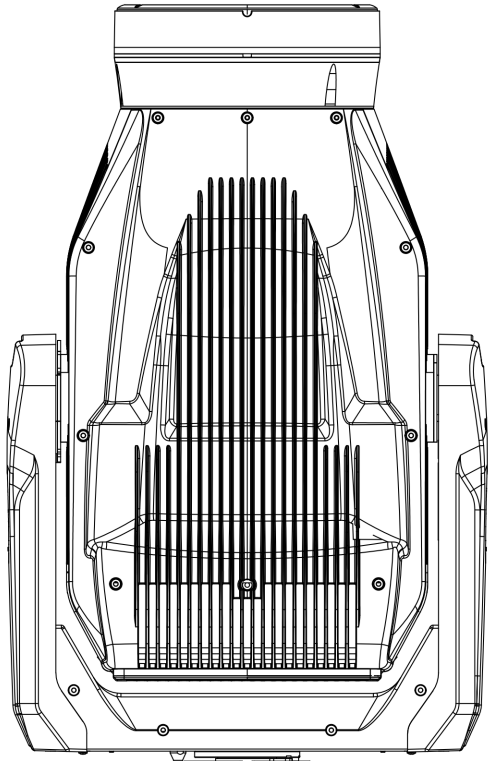
OVERVIEW

MODE/ESC Button Up Button Right Button Enter Button



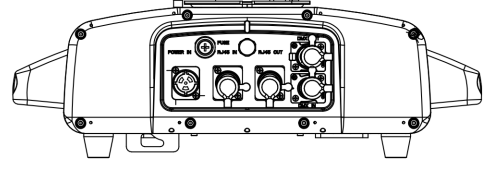
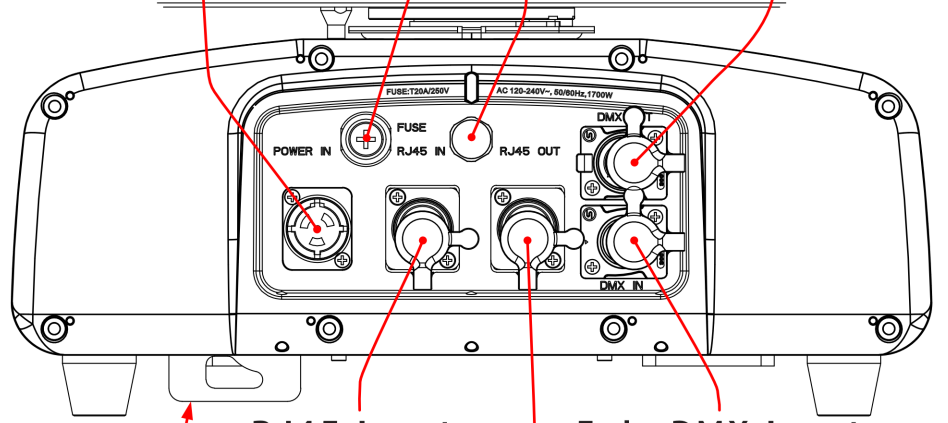
LCD Menu Function Display

Down Button Left Button

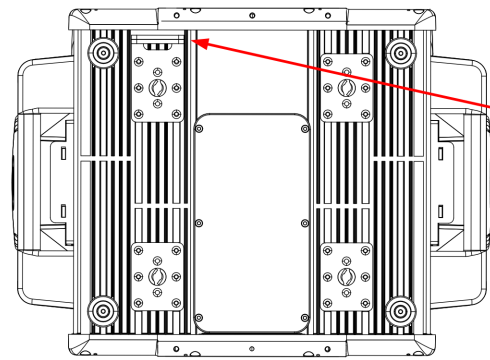


Pan Lock Carrying Handle(s)

Fuse: T20/250V Locking Power Input Valve 5pin DMX Output



RJ45 Input 5pin DMX Input



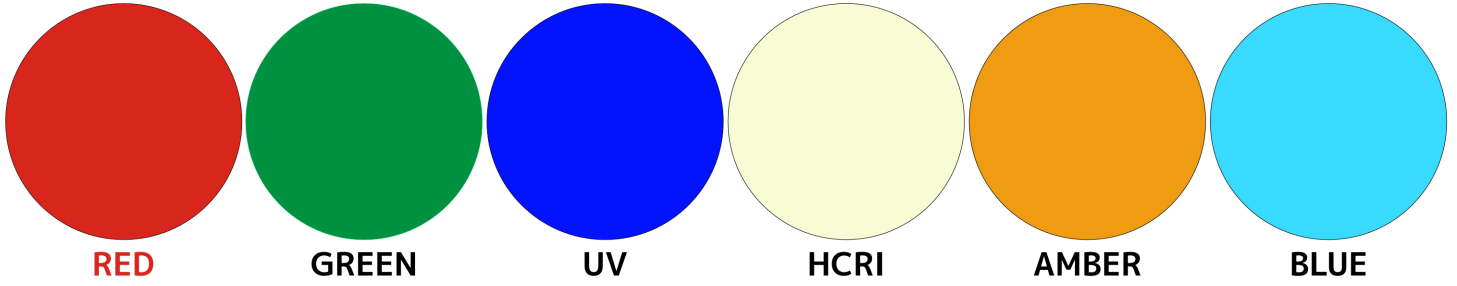
Safety Cable Attachment Point RJ45 Output



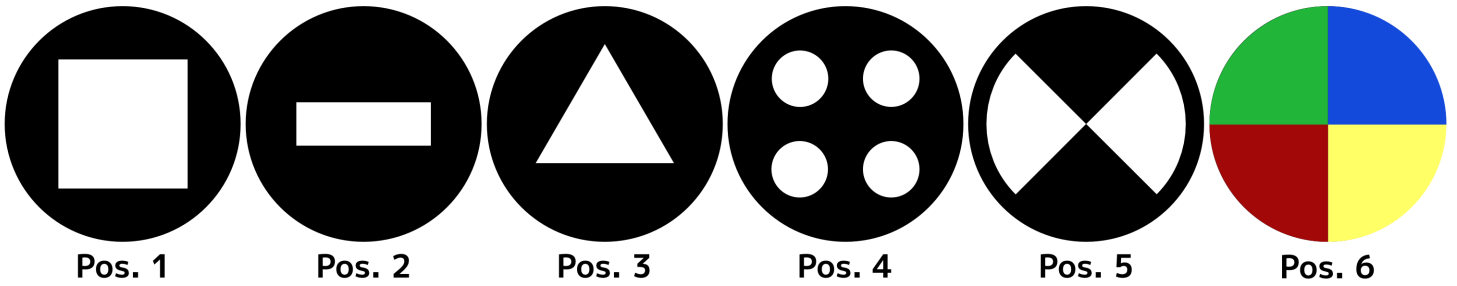
ALWAYS ATTACH A SAFETY CABLE WHENEVER INSTALLING THIS DEVICE IN A SUSPENDED ENVIRONMENT TO ENSURE THE FIXTURE WILL NOT DROP IF THE CLAMP FAILS.

COLORS AND GOBOS

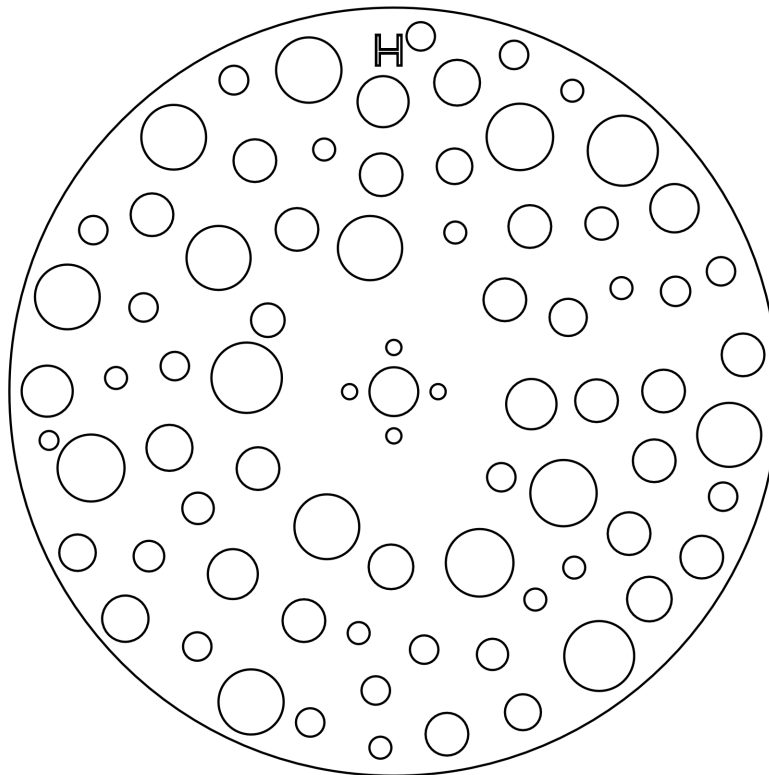
COLOR WHEEL



ROTATING GOBO WHEEL1



BI-DIRECTIONAL ANIMATION WHEEL

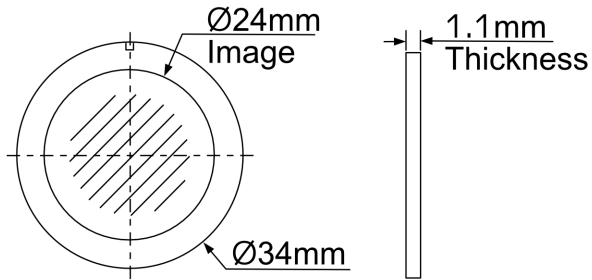


COLORS AND GOBOS

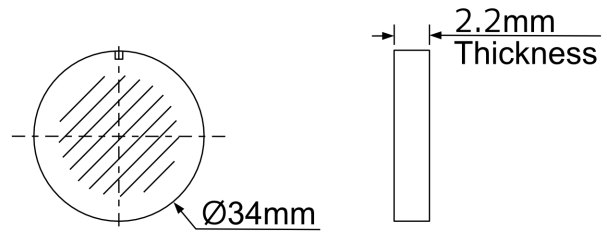
ROTATING WHEEL GOBOS - Pos. 1-5	
Gobo O.D. (Max. Outer Diameter)	ø34mm
Gobo O.D. (Max. Outer Diameter)	ø24mm
Gobo Thickness	1.1mm
Gobo Material	METAL

ROTATING WHEEL GOBOS - Pos. 6	
Gobo O.D. (Max. Outer Diameter)	ø34mm
Gobo O.D. (Max. Outer Diameter)	ø34mm
Gobo Thickness	2.2mm
Gobo Material	GLASS

Rotating Wheel Gobos: Pos. 1-5, & Pos. 6dc

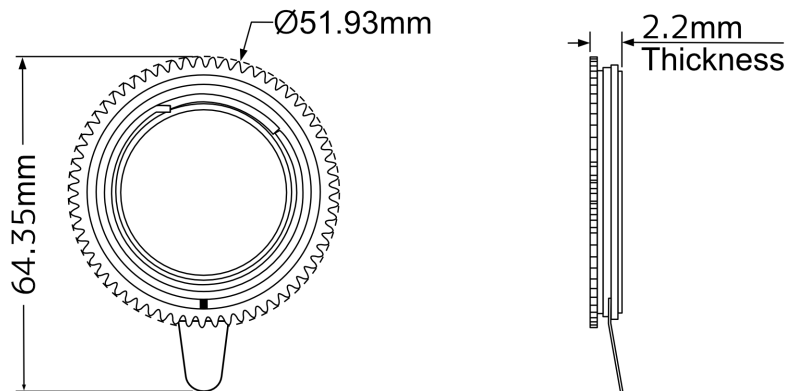


Pos. 1 to Pos. 5



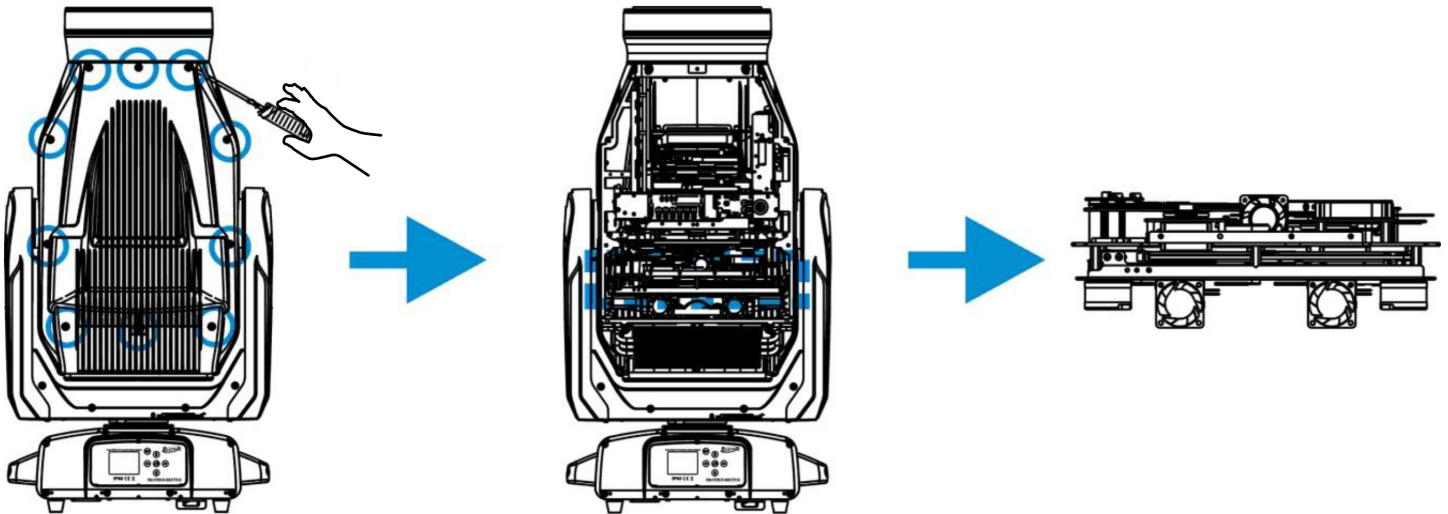
Pos. 6

Rotating Wheel Gobos

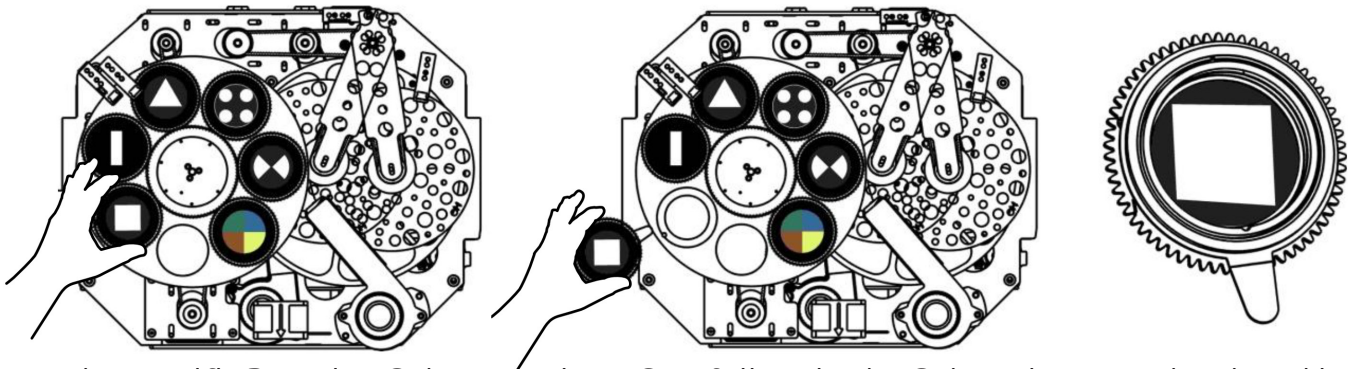


GOBO INSTALLATION

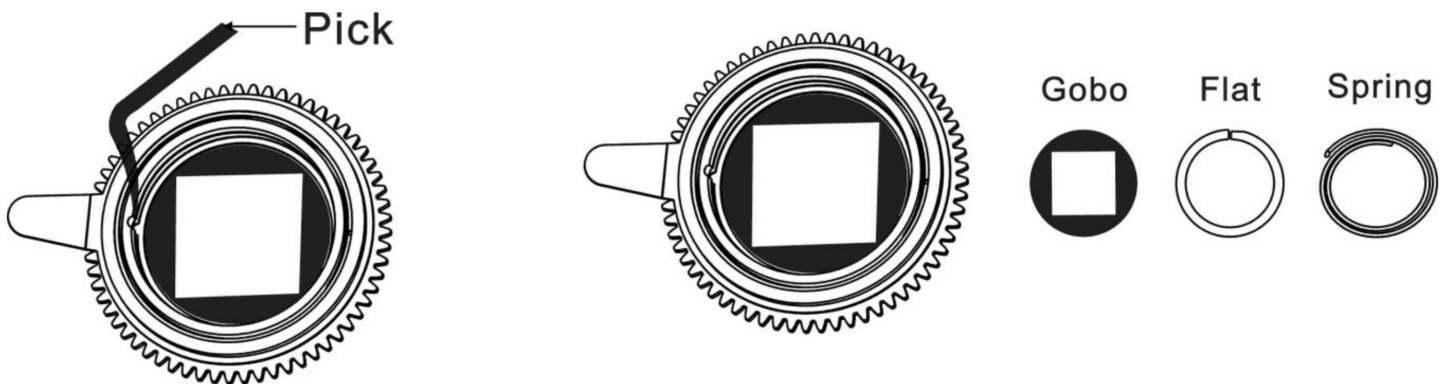
REPLACING A ROTATING GOBO



Place the Elation Proteus Brutus fixture on a firm flat surface. Locate the (10x) screws on the side of the moving head and remove them. With the panel set aside, locate the Pattern Bracket Assembly and remove the (4x) screws that secure it to the internal housing frame.



Locate the specific Rotating Gobo to replace. Carefully grip the Gobo using your thumb and index finger, gently lift it slightly, and then pull it out and away until it fully clears the Gobo Wheel.

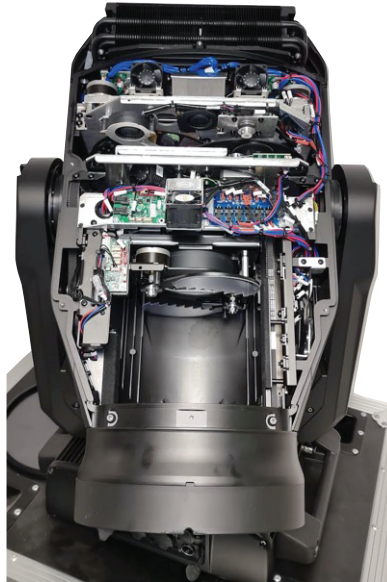


Locate the tab of the spring, and with a precision pick (or similar tool), carefully press the retaining spring inward to relieve the tension. Remove the retaining spring and carefully separate the GOBO from the GOBO Holder. Lastly, remove the flat washer attached to the removed GOBO and attach it to the desired replacement GOBO. Install the replacement Rotating GOBO following the steps above in reverse order.

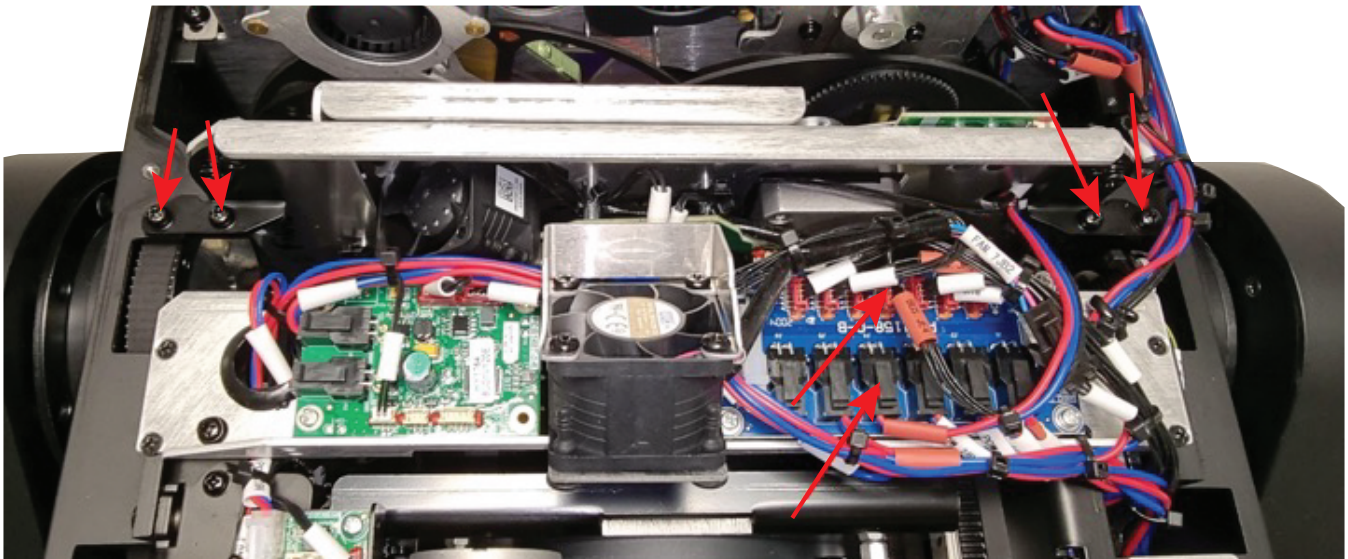
CAUTION: TAKE CARE NOT TO SCRATCH GOBO OR GOBO HOLDER

IRIS & FRAMING ASSEMBLY INSTALLATION

1. Remove the head covers and orient the head with the lens facing downward, as shown below. This position makes it easier to reach the Iris and Framing module for removal and re-installation after the adjustment procedure is complete.

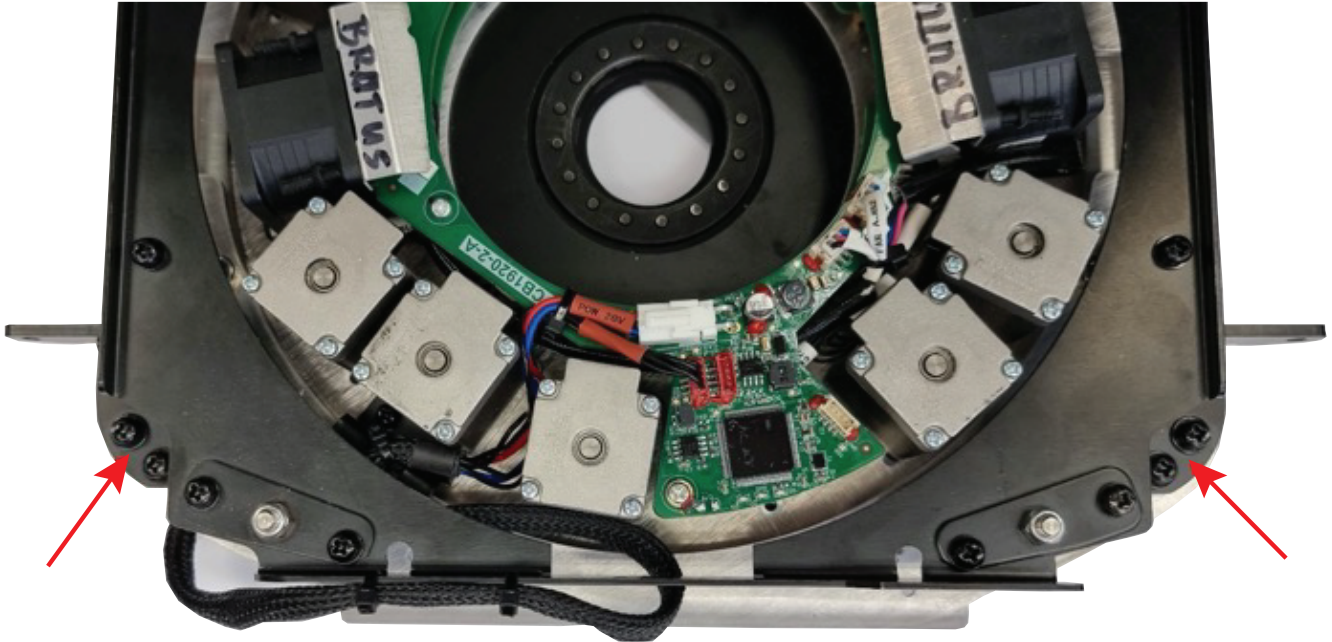


2. Unplug the power and data cable for the module, then remove the four (4) module screws holding the module in place, as indicated by the arrows in the image below. Pull the module gently towards you, taking care to ensure that the module does not catch or snag on any surrounding cables.

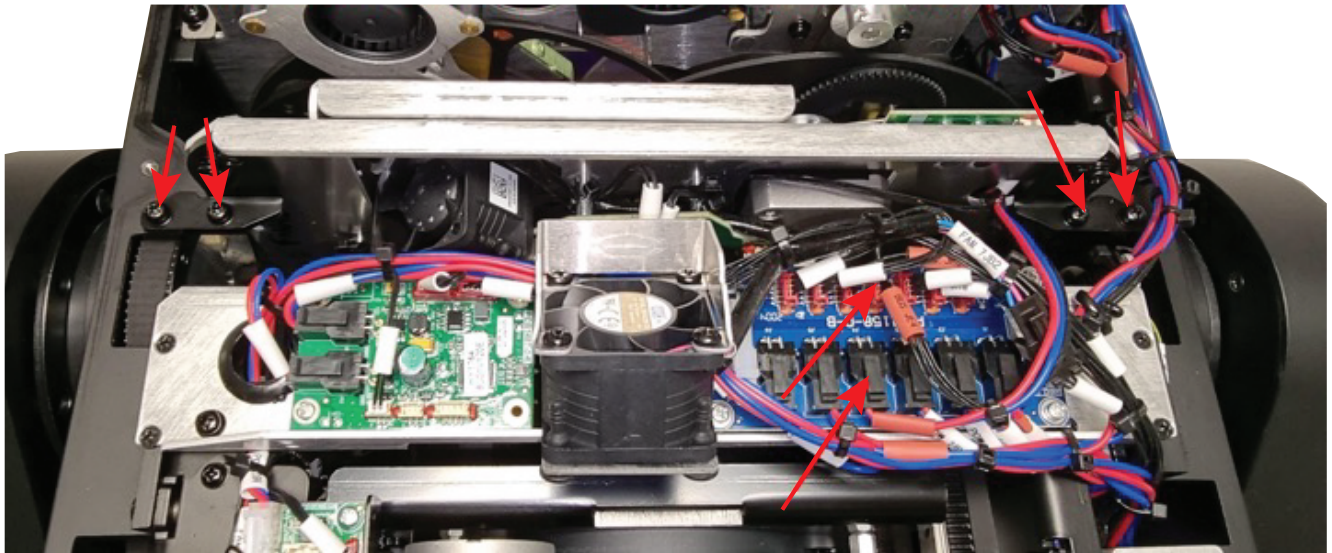


IRIS & FRAMING ASSEMBLY INSTALLATION

3. On the new module, loosen the four (4) framing adjustment screws indicated in the drawing. **Please note that these screws will need to be fully tightened once calibration has been completed.**

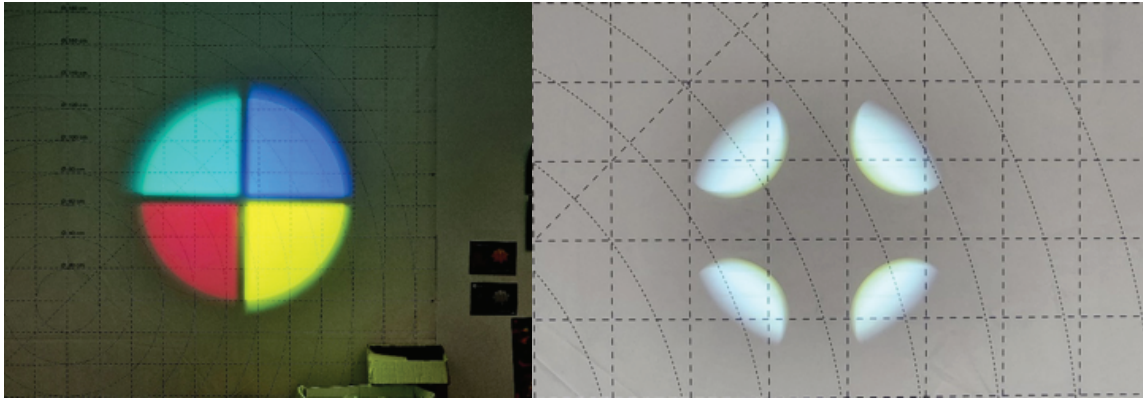


4. Slide the new module carefully into the empty slot, with the motors facing downwards towards the lens. Tighten the four (4) module screws and reconnect the power and data cables, as indicated in the drawing below.

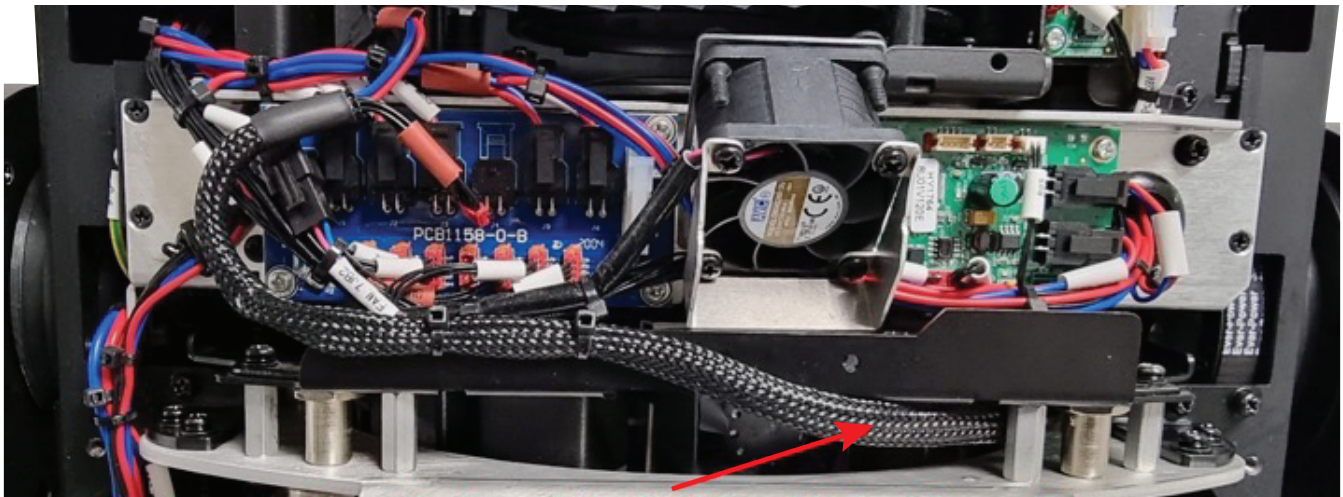


IRIS & FRAMING ASSEMBLY INSTALLATION

5. Perform the calibration procedure by selecting one of the two gobos shown below. Set the iris to the minimum opening, then adjust the position of the framing mechanism so that the gobo is perfectly centered within the iris. Tighten the four (4) framing adjustment screws that were loosened in Step 3. Calibration is now complete.



6. Replace and re-secure the head covers, making sure that the black framing cable is positioned as shown in the image below, as this will ensure that the cover has enough clearance when it is put back in place. Test the unit with an IP tester to confirm that it has been reassembled properly.

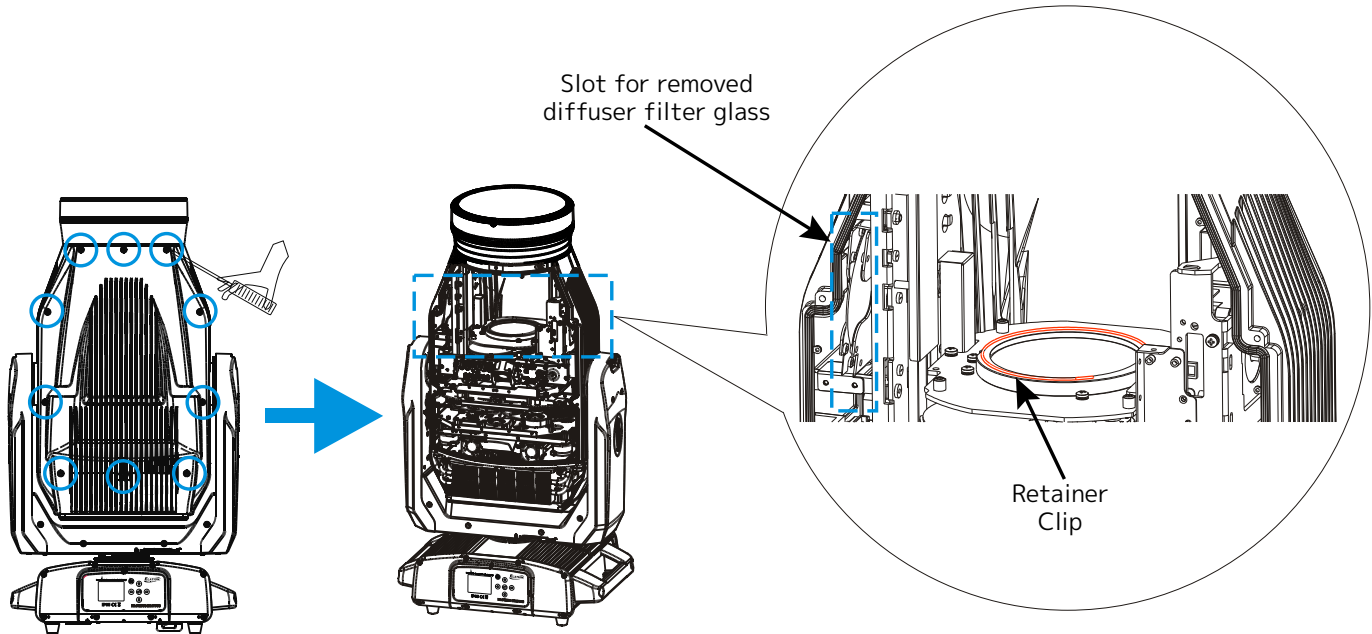


7. Update the unit to the latest software version, if necessary. Make sure to test the unit to perform that it functions properly.

DIFFUSER FILTER

To create a narrower, more defined beam, the user can opt to remove the diffuser filter. Directions for removal are as follows:

DIFFUSER FILTER - This component can be removed to create a slightly more defined beam with less softness. The diffuser filter is secured by a simple retainer clip, allowing for easy removal. Please note that the edges of some gobos may now show slight optical distortions and irregularities in certain zoom or focus positions, so it is strongly recommended to check that the gobo image is satisfactory after this removal procedure.



Note: Wear gloves while performing this procedure in order to avoid leaving fingerprints on the glass components.

Begin by removing the ten (10) head cover screws (left), then remove the head cover. Locate the module that contains the lens. This should be the top-most module (center). Carefully remove the retainer clip, then remove the diffuser filter, being careful not to scratch the diffuser filter (right). The diffuser filter can be stored in a slot located to one side of the lens module.

Note: When re-installing the diffuser lens, make sure that the reflective side of the lens is facing toward the LED.

TORQUE SETTINGS FOR SCREWS

The hex-head screws holding either the panels or the base **MUST** be tightened with a torque wrench (not included).

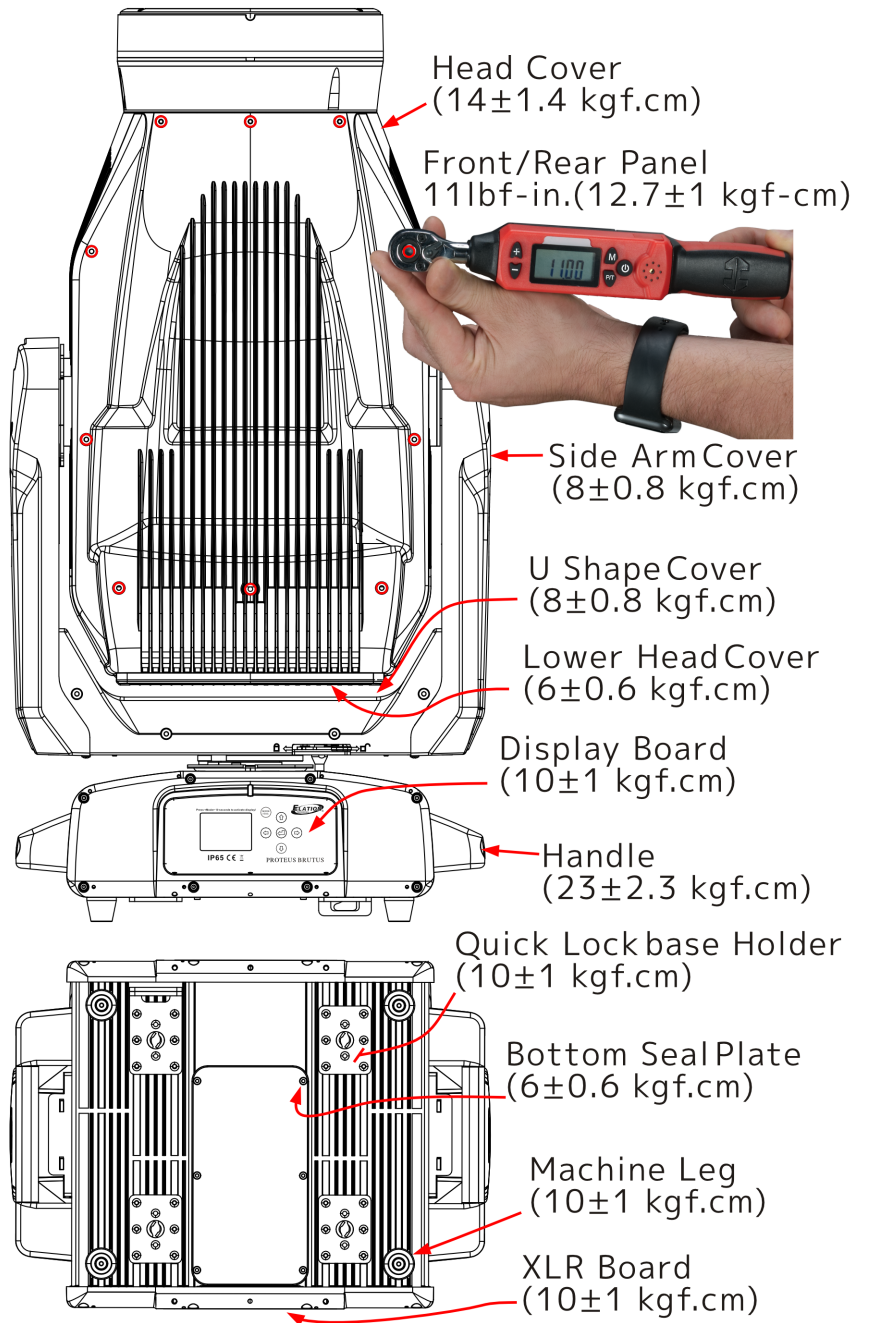
TORQUE SETTINGS:
lbf-in = Pound Force Inches
kgf-cm = Kilogram Force Centimeter:



CAUTION! DO NOT OVER TORQUE SCREWS AS THIS CAN CAUSE LEAKAGE ISSUES!
TO CONFIRM THE IP65 INTEGRITY AFTER A LAMP REPLACEMENT, TEST FIXTURE USING THE ELATION IP TESTER. CONTACT ELATION SERVICE FOR MORE DETAILS.



CAUTION! THE USE OF PROTECTIVE GLOVES AND SAFETY GOGGLES IS STRONGLY RECOMMENDED WHILE PERFORMING THE IP PRESSURE TEST! AVOID PLACING YOUR FACE, EYES, HANDS, ETC IN CLOSE PROXIMITY TO THE FIXTURE'S LENS WHILE PERFORMING THE TEST!



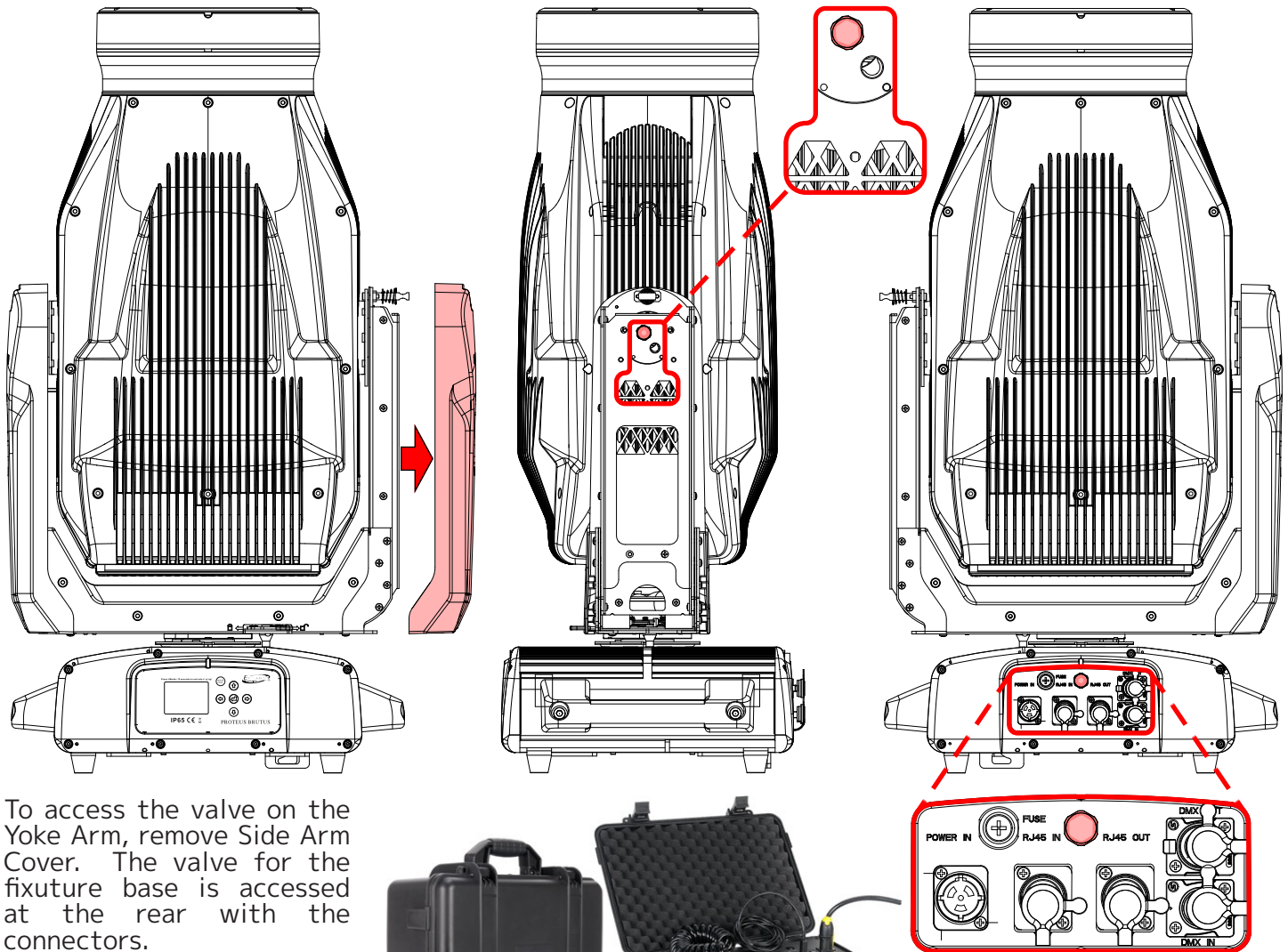
IP TEST PARAMETERS

Following any repair or maintenance procedure that requires disassembly of the fixture, use Elation's IP Tester to confirm the IP integrity of the fixture. Please contact Elation Service for information regarding the Elation IP Tester, or visit the product information page online at: <https://www.elationlighting.com/ip-tester>



CAUTION! THE USE OF PROTECTIVE GLOVES AND SAFETY GOGGLES IS STRONGLY RECOMMENDED WHILE PERFORMING THE IP PRESSURE TEST! AVOID PLACING YOUR FACE, EYES, HANDS, ETC IN PROXIMITY TO THE LENS OF THE FIXTURE WHILE PERFORMING THE TEST!

DE-HUMIDIFICATION: IP66 fixtures operating in high-humidity environments may experience residual fogging or condensation. Such fogging will not affect the fixture, and can be removed using the following procedure: position the unit with the air valve pointing upwards, then open the air valve and run the unit for 1-2 hours after reaching operating temperature. Then, while the fixture is still hot, re-install the air valve and allow the unit to cool down. Please note: this procedure should be performed in a dry, climate-controlled environment. Avoid additional fogging by drying the fixture completely before placing into a road case.



To access the valve on the Yoke Arm, remove Side Arm Cover. The valve for the fixture base is accessed at the rear with the connectors.

IP PRESSURE TESTING PARAMETERS			
Test Type	Low Pressure Limit	High Pressure Limit	Hold Time
Vacuum Test	-4.35psi (-30.00 KPa)	-5.08 psi (-35.00 KPa)	10s
Pressure Test	3.62 psi (25.00 KPa)	4.35 psi (30.00 KPa)	10s

FAN CONTROL AND LOW NOISE OPERATION

The Proteus Brutus is a high-performance fixture suited for multiple applications. For noise critical environments such as Theater, Opera, or Orchestral Halls, it offers various fan operation modes which remove unwanted noise distractions for the audience and performers. Fan Modes can be changed remotely via the DMX control channel, allowing the fixture to offer high output or whisper-silent operation at a moment's notice. All Fan Modes smoothly transition over a

Mode	dbA at 1m LED off	dbA at 1m Dimmer 100%
Fan Control - Auto (Default)	39	46
Fan Control - High	50	59
Fan Control - Low	38	40
Low Noise – Studio	34	37
Low Noise – Mute	32	33

Auto (Default) – Fans only run at the speeds needed to keep the LED engine within a safe temperature range, and ensures optimal performance of the fixture. They will turn off if possible; for example, when the fixture is dimmed to a low intensity. Fans sense the ambient and fixture temperature and will, at all times, try to keep noise levels at a minimum. The fixture output will only be reduced when the LED engine cannot be cooled to its safe operating range due to a high ambient temperature.

NOTE: This mode is recommended for daily operation.

High – Fan speeds are increased throughout the fixture for the most efficient cooling. This mode will increase wear on the fans and should only be utilized in exceptional circumstances. Fans will always run, even if the fixture is dimmed. Fixture output is kept at 100% unless the LED engine temperature reaches an unsafe temperature, at which point the fixture will reduce power carefully to ensure continued safe operation. This mode is only required in very high ambient temperatures when automatic fan speed adjustments are not desired.

Low – For very critical noise environments, the fixture offers this mode, and two additional Low Noise Modes for silent operation: Studio and Mute. In Low mode, the fixture output will be reduced, yet due to the extremely high luminous flux, the fixture still offers outstanding performance. In Low Noise Mode, all parameters of the fixture operate more quietly with reduced fan speeds.

Studio – Fan speeds are reduced throughout the fixture for a lower noise profile. The fixture output is also reduced to approximately 80%. This mode should be sufficient for most uses where lower noise is required.

Mute – All but one fixture fan is turned off for whisper-quiet operation. The fixture LED power output is reduced to 25%.

INSTALLATION GUIDELINES



FLAMMABLE MATERIAL WARNING

Keep fixture minimum 16.4 feet (5.0m) away from flammable materials and/or pyrotechnics.



ELECTRICAL CONNECTIONS

A qualified electrician should be used for all electrical connections and/or installations.



USE CAUTION WHEN POWER LINKING OTHER MODEL FIXTURES AS THE POWER CONSUMPTION OF OTHER MODEL FIXTURES MAY EXCEED THE MAX POWER OUTPUT ON THIS FIXTURE. CHECK SILK SCREEN FOR MAX AMPS.



**MINIMUM DISTANCE TO OBJECTS/SURFACES
MUST BE 1.6 FOOT (0.5 METERS)**



**MINIMUM DISTANCE OF INFLAMMABLE MATERIALS
FROM THE SURFACE 16.4 FEET (5.0 METERS)**



MAXIMUM AMBIENT TEMPERATURE 194° F (90°C)



DO NOT INSTALL THE FIXTURE IF YOU ARE NOT QUALIFIED TO DO SO!

Fixture **MUST** be installed following all local, national, and country commercial electrical and construction codes and regulations.

Before rigging/mounting the fixture to any metal truss/structure or placing the fixture on any surface, a professional equipment installer **MUST** be consulted to determine if the metal truss/structure or surface is properly certified to safely hold the combined weight of the fixture, clamps, cables, and accessories.

Overhead rigging requires extensive experience, including, amongst others, calculating working load limits, installation material being used, and periodic safety inspection of all installation material and the fixture. If you lack these qualifications, do not attempt the installation yourself. Improper installation can result in bodily injury.

Fixture ambient operating temperature range is **-4° to 113°F. (-20° to 45°C)**.

Do not use the fixture under or above this temperature.

Fixture should be installed in areas outside walking paths, seating areas, or away from areas where unauthorized personnel might reach the fixture by hand.

NEVER stand directly below the fixture when rigging, removing or servicing.

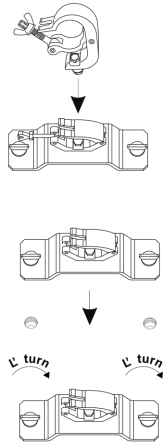
Overhead fixture installation must always be secured with a secondary safety attachment, such as an appropriately rated safety cable.

Allow approximately 10 minutes for the fixture to cool down before serving.

INSTALLATION GUIDELINES

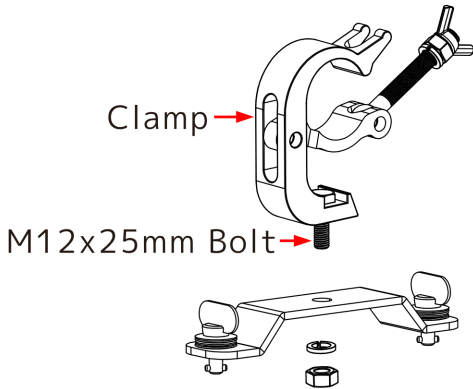
OMEGA BRACKETS WITH CLAMP INSTALLATION

Insert the Omega Brackets into the matching holes on the bottom of the fixture. Secure the Omega Brackets to the fixture by turning each quick-lock fastener 1/4 turn clockwise; making sure the fastener is completely locked. Omega Brackets can be installed into the fixture base as illustrated below.

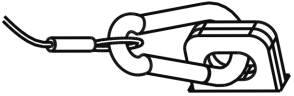


Omega Bracket Installation Steps

1. Attached appropriately rated clamps onto both Omega Brackets.
2. Insert Omega Brackets into matching mounting holes.
3. Turn both Quick-Lock Fasteners 1/4 turn clockwise to secure.



Attach Safety Cable Here!



Minimum Requirements:
12-Fold Weight Quick Link Shackle with Hook

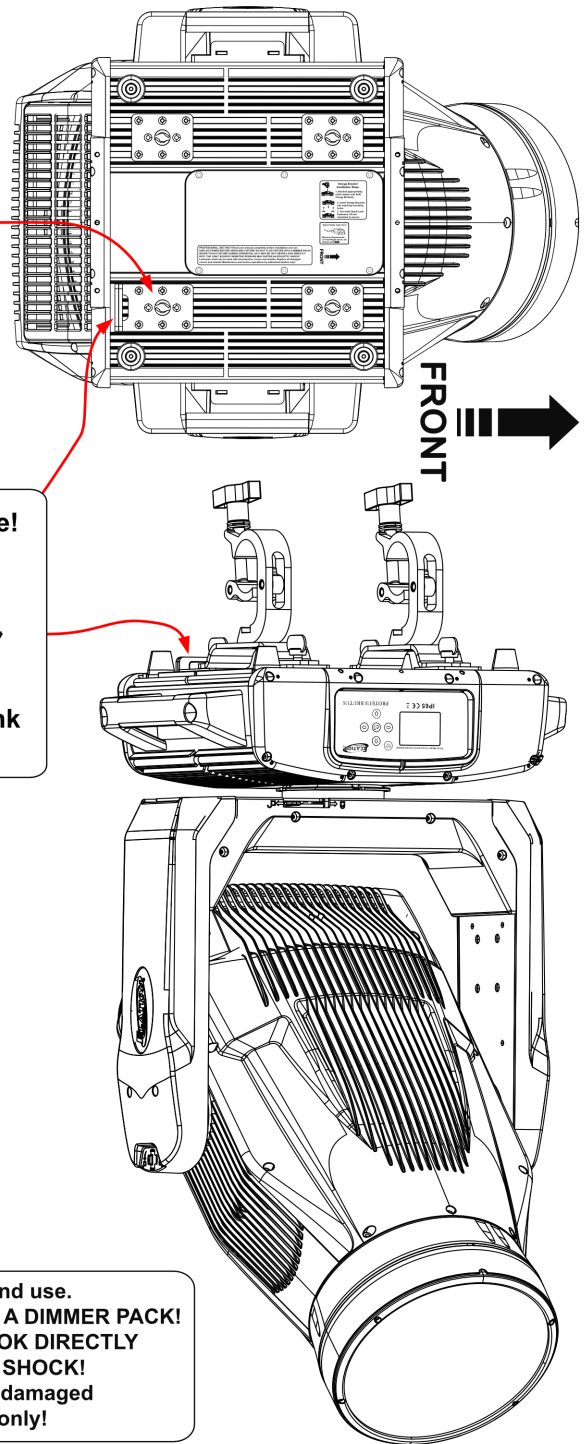


SAFETY CABLE
ALWAYS ATTACH AN APPROPRIATELY RATED SAFETY CABLE WHENEVER INSTALLING THIS FIXTURE IN A SUSPENDED ENVIRONMENT TO ENSURE THE FIXTURE WILL NOT FALL IF THE CLAMP FAILS.

PROFESSIONAL USE ONLY! Read user manual completely before installation and use. **UNPLUG POWER BEFORE SERVICING FIXTURE!** DO NOT PLUG FIXTURE INTO A DIMMER PACK! NEVER TOUCH FIXTURE DURING OPERATION, AS IT MAY BE HOT! NEVER LOOK DIRECTLY INTO THE LIGHT SOURCE! SENSITIVE PERSONS MAY SUFFER AN EPILEPTIC SHOCK! Luminaire shall only be used with all protective covers and shields. Replace all damaged covers and shields. Maintenance and service operations by authorized dealers only!

MOUNTING THE FIXTURE ON A TRUSS USING CLAMPS WITH OMEGA BRACKETS

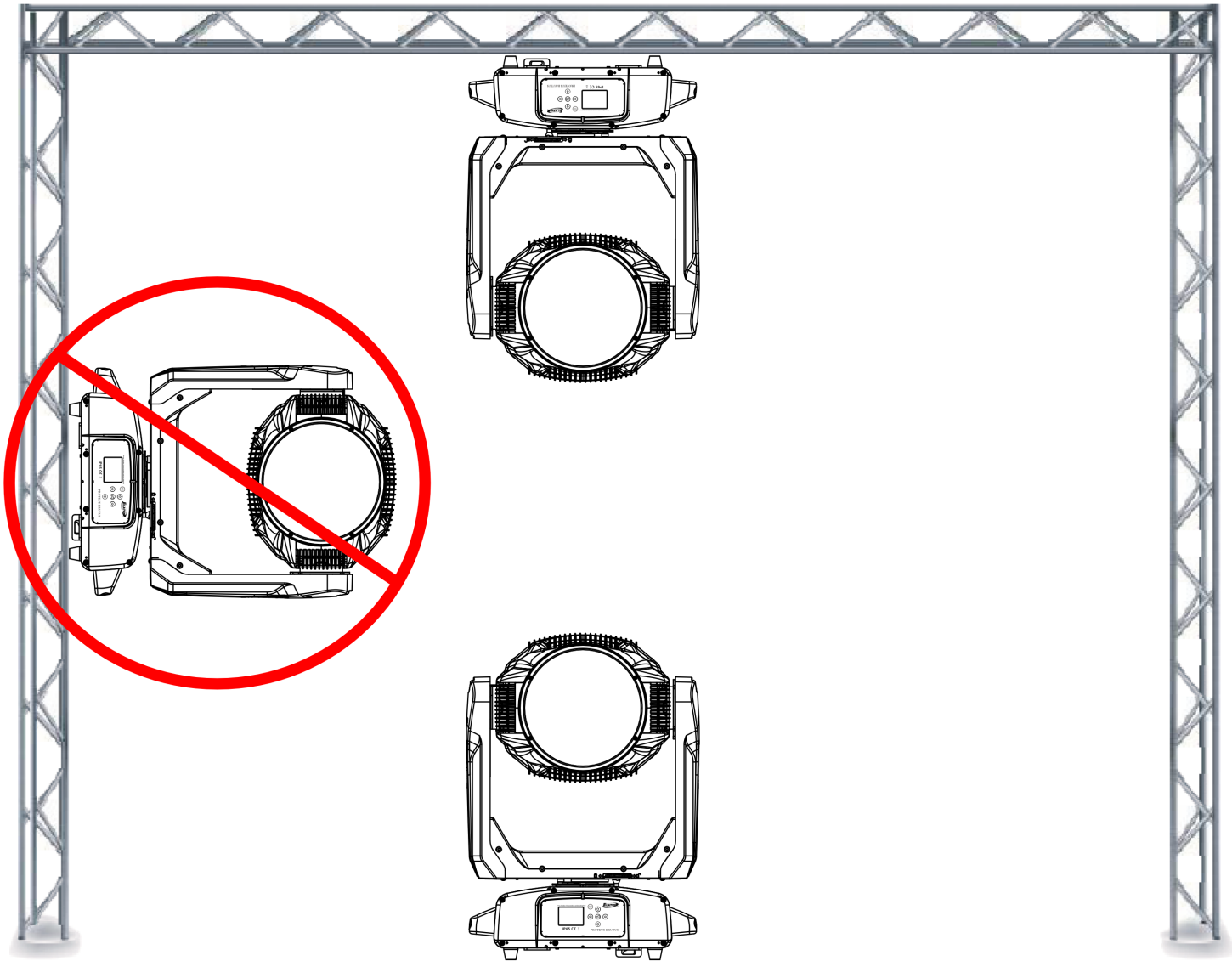
When mounting the fixture to a truss, be sure to secure an appropriately rated professional grade rigging clamp to the included **Omega Brackets** using an M10 screw fitted through the center hole of the **Omega Brackets**. The fixture provides built-in rigging points for a **SAFETY CABLE** (not included). Be sure to only use one of the designated rigging points for the safety cable and never secure a safety cable to a carrying handle.



INSTALLATION GUIDELINES

RIGGING

Overhead rigging requires extensive experience, including among others calculating working load limits, installation material being used, and periodic safety inspection of all installation material and the fixture. If you lack these qualifications, do not attempt the installation yourself. Improper installation can result in bodily injury.



FALLING FIXTURES CAN CAUSE SEVERE INJURY OR SERIOUS EQUIPMENT DAMAGE! FOR THIS REASON, FIXTURES SHOULD BE INSTALLED AND INSPECTED ONLY BY QUALIFIED PERSONNEL. DO NOT INSTALL THE UNIT IF YOU LACK THE QUALIFICATIONS TO DO SO, OR IF YOU HAVE DOUBTS ABOUT THE SAFETY AND SECURITY OF THE INSTALLATION SETUP OR LOCATION!



ALWAYS ATTACH A SAFETY CABLE WHENEVER INSTALLING THIS FIXTURE IN A SUSPENDED ENVIRONMENT TO ENSURE THE FIXTURE WILL NOT FALL IF THE CLAMP FAILS.

INSTALLATION GUIDELINES

ART-NET | sACN CONNECTION

When connecting fixture to a network switch to control multiple devices, a **Gigabit Ethernet Switch** that supports **IGMP (Internet Group Management Protocol)** is required. Using a **Gigabit Ethernet Switch** that does not support **IGMP** can cause erratic behavior of all connected devices to the switch. Click link below for more information about IGMP.

https://en.wikipedia.org/wiki/Internet_Group_Management_Protocol

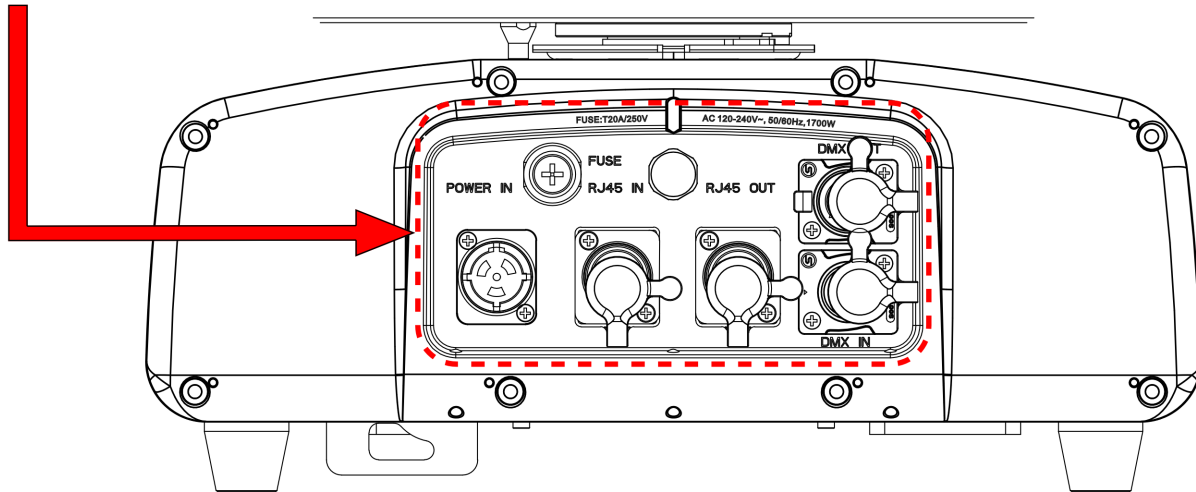
POWER AND DATA CABLES



ENSURE ALL CONNECTIONS AND END-CAPS ARE PROPERLY SEALED WITH DIELECTRIC GREASE (AVAILABLE AT MOST ELECTRICAL SUPPLIERS) TO PREVENT WATER CORROSION AND/OR ELECTRICAL SHORT CIRCUIT.



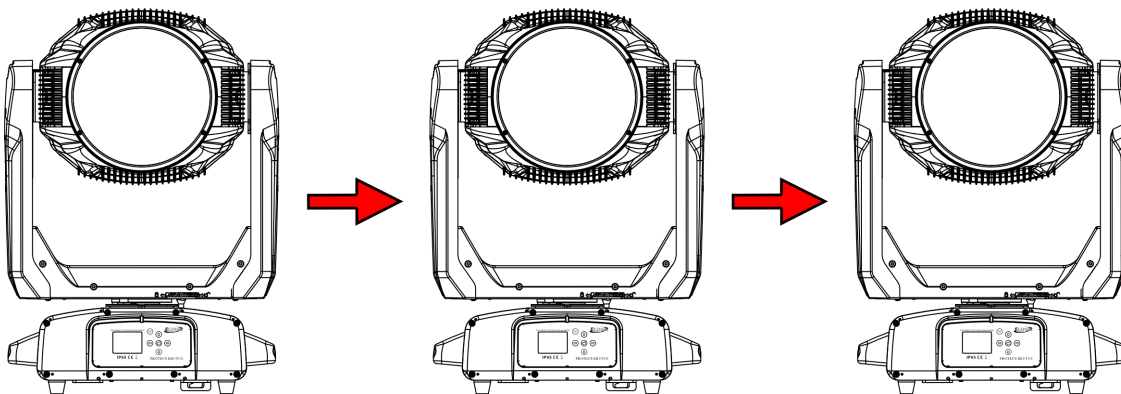
TO MAINTAIN THE IP65 RATING INTEGRITY OF THE FIXTURE AND PREVENT WATER FROM ENTERING THE FIXTURE, SEAL ALL UNUSED CONNECTION RUBBER CAPS.



INCLUDED RJ45 DATA CABLE



THE INCLUDED RJ45 DATA CABLE IS FOR FIXTURE TO FIXTURE INTERCONNECTION ONLY! THE RJ45 CABLE CONNECTORS MAY NOT BE COMPATIBLE WITH OTHER RJ45/ETHERCON TYPE CONNECTORS.



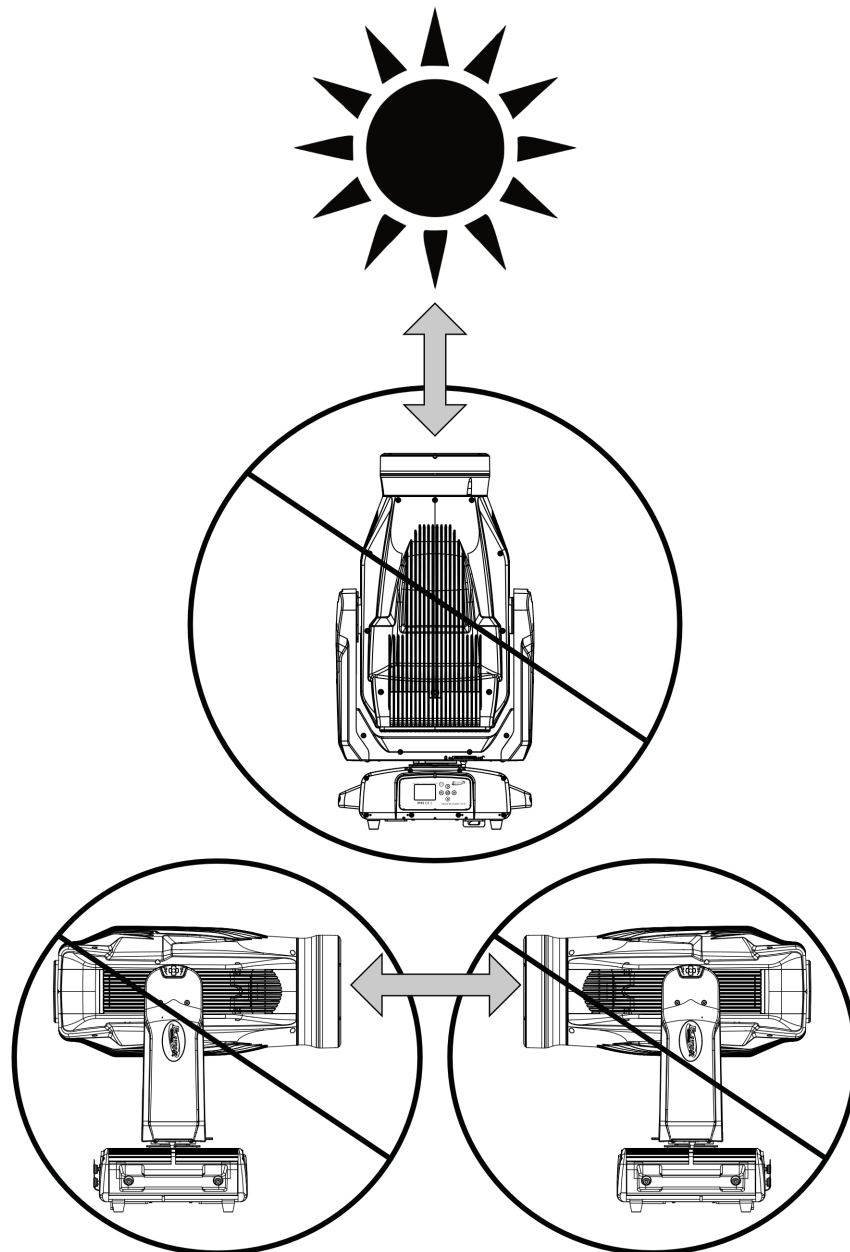
INSTALLATION GUIDELINES

POTENTIAL INTERNAL FIXTURE DAMAGE FROM EXTERNAL SOURCES OF LIGHT BEAMS

External sources of light beams from direct sunlight, lighting moving head fixtures, and lasers, which are focused directly towards the exterior housing and/or penetrate the front lens opening of ELATION lighting fixtures, can cause severe internal damage including burning to optics, dichroic color filters, glass and metal gobos, prisms, animation wheels, frost filters, iris, shutters, motors, belts, wiring, discharge lamps, and LEDs.

This issue is not specific only to ELATION lighting fixtures, it is a common issue with lighting fixtures from all manufacturers. Although there is no true way to fully prevent this issue from happening, the guidelines below can prevent any potential damage from occurring if followed. Contact ELATION Service for more details.

DO NOT EXPOSE THE FIXTURE AND/OR FRONT LENS OPENING TO LIGHT BEAMS FROM DIRECT SUNLIGHT, OTHER LIGHTING MOVING HEAD FIXTURES, AND LASERS WHILE UNPACKING, INSTALLATION, USE, AND EXTENDED IDLE TIMES OUTDOORS. DO NOT FOCUS A LIGHT BEAM FROM ONE LIGHTING FIXTURE DIRECTLY TOWARDS ANOTHER.



SUN PROTECTION MODE

The fixture incorporates an automatic protection from harmful sunlight, which can damage a fixture's internal components from extended exposure. Fixtures use an internal sensor to determine their physical orientation, then reorient the fixture towards the ground to prevent sunlight from entering the lens.

This automatic feature only works when the fixture is powered. If the fixture is unpowered during setup, it is necessary to manually reorient the lenses away from the sun, and aim them towards the ground. Even a few minutes of sun exposure can cause damage inside the fixture.

The Sun Protection setting is accessed via the "No DMX Status" menu.

The automatic sun protection positioning is activated under the following conditions:

1. Power on without DMX signal: the fixture always starts in sun protection mode.
2. No DMX Status "Sun Protection": the fixture enters sun protection mode after approximately 3 minutes.
3. Remote DMX control: the sun protection position can be **temporarily** activated from the lighting console without the need to create a custom position preset. The fixture senses the correct ground orientation. This means that fixtures already facing the ground may not move their heads.

Hold "Sun Protect Position" for 3s to set the fixture to the sun protection position.

Sun protection status displays as "**Sun Protection: Active**".

The sun protection position deactivates under the following conditions:

1. Connect DMX signal.
2. Remote DMX control: Hold "Sun Protection Off" for 3s.

To avoid harsh or jarring movements, the sun protection position always uses a 5-second fade time when it is activated or deactivated.

HIBERNATION MODE

To reduce wear on the fixture and its components, this mode disables motors and most electronics. Set the hibernation mode countdown time in the Display Menu: "Status Settings / Personality / Hibernation". Hibernation can be fully disabled.

The hibernation mode activates under the following conditions:

1. Loss of DMX: the fixture enters hibernation after the timeout expires. Default is 15 minutes.
2. Remote DMX control: Hold "Hibernate Fixture" for 3s

The hibernation mode deactivates under the following conditions:

1. Connect DMX Signal
2. Remote DMX control: Hold "Hibernate Off" for 3s

The fixture will perform a full calibration cycle, then assume the current DMX status.

Please note that the Hibernation does not change the PT position of the fixtures, allowing the user to set the desired position and then issue the Hibernate command.

To ensure the fixture is protected from harmful sunrays it is recommended to either leave the "No DMX Status" in "Sun Protection" (so the fixture is already in the correct position after 3 minutes of DMX loss) or set the fixture to a safe Tilt position manually first before hibernation.

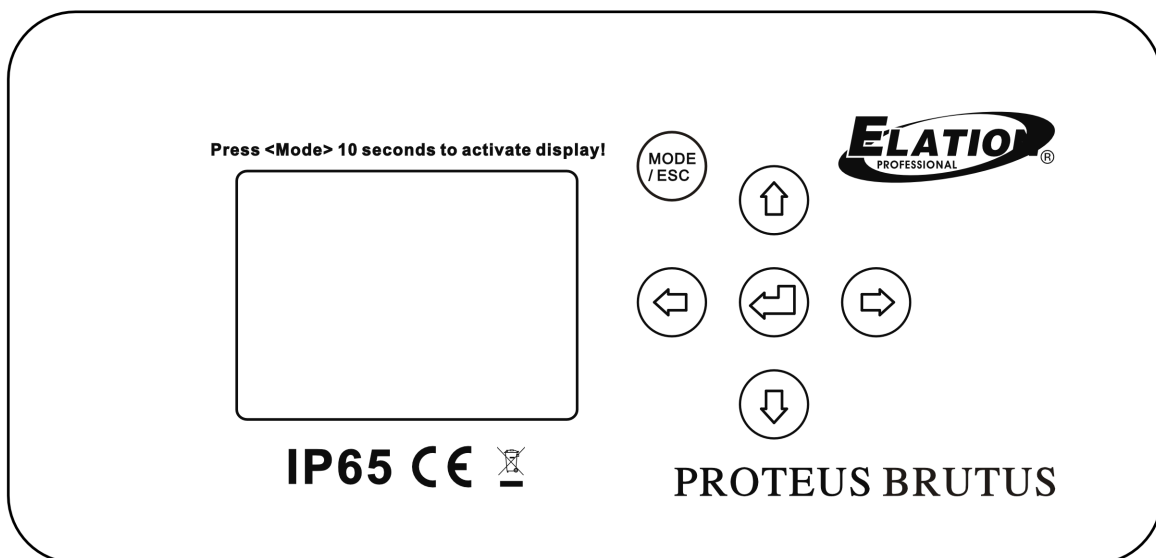
Burn and heat damage to the fixture's interior components due to external light sources (sun or other fixtures shining into the lens) is never covered under the manufacturers warranty.

SYSTEM MENU

The fixture includes an easy to navigate system menu. The control panel (see image below) located on the front of the fixture, provides access to the main system menu and is where all necessary system adjustments are made to the fixture. During normal operation, pressing **MODE/ESC** button once will access the fixture's main menu. Once in the main menu you can navigate through the different functions and access the sub-menus with the **UP, DOWN, RIGHT,** and **LEFT** buttons. Once you reach a field that requires adjusting, press the **ENTER** button to activate that field and use the **UP** and **DOWN** buttons to adjust the field. Pressing the **ENTER** button once more will confirm your setting. You may exit the main menu at any time without making any adjustments by pressing the **MODE/ESC** button.

NOTE: To access the LCD Menu Control Display via the internal battery, press and hold the **MODE/ESC** button for 10 seconds. The LCD Menu Control Display will shut **OFF** automatically about 1 minute from the last button press.

NOTE: The unit comes with a battery so that the menu options can be changed or setup without the need to plug the unit into power.



AN ELATION E-LOADER III CAN BE USED TO UPDATE THE FIXTURE TO THE LATEST SOFTWARE. TO ORDER THIS DEVICE, PLEASE CONTACT ELATION SUPPORT FOR FURTHER DETAILS.

**ELATION SERVICE USA - Monday - Friday 8:00am to 4:30pm PST
323-582-3322 | Fax 323-832-9142 | support@elationlighting.com**

**ELATION SERVICE EUROPE - Monday - Friday 08:30 to 17:00 CET
+31 45 546 85 63 | Fax +31 45 546 85 96 | support@elationlighting.eu**

SYSTEM MENU

MAIN MENU	OPTIONS / VALUES (Default Settings in BOLD)		DESCRIPTION	
Function	Set Dmx Address	A001~AXXX	DMX Address Setting	
	Dmx Value	DMX Value Display	
	Secondary Mode	Secondary1, Secondary2, Secondary3	Secondary Setting	
	Auto Program	Primary / Alone	Auto Program	
Information	Time Information	Current Time	XXXX(Hours)	Power On Running Time
		Total Run Time	XXXX(Hours)	Fixture Running Time
		Last Run Time	XXXX(Hours)	Fixture Last Times Clear
		LastRun Password	Password=XXX	Timer Password 038
		Clear Last Run	ON/OFF	Clear Fixture Last Time
	Temperature Info	LED Temperature	XXX°C/°F	Temperature in LED
		Base Temperature	XXX°C/°F	Temperature in Base
		Head Temperature	XXX°C/°F	Temperature in Fixture
	Humidity Info	Base Humidity	XXX%	Humidity in Base
		Head Humidity	XXX%	Humidity in Fixture
	Ethernet IP	Ethernet IP XXX. XXX. XXX. XXX XXX. XXX. XXX. XXX	Ethernet IP	
	Fan Info	HeadFan1: xxxx RPM	Fan information	
	Software Version	1U01: Vx.x.x 2U01: Vx.x.x		
	Error Info	Error Record 1 Error Record 2 Error Record 10	PAN..... PAN..... PAN.....	
Personality	Status Settings	Address Via DMX	ON/OFF	Address Via DMX
		No DMX Status	SunProt/Close/Hold/Auto	Auto Run If No DMX
		Pan Reverse	ON/OFF	Pan Reverse movement
		Tilt Reverse	ON/OFF	Tilt Reverse movement
		Pan Degree	630/ 540	Pan Degree Select
		Feedback	ON/OFF	Movement Feedback
		Movement Speed	Normal/Slow	Movement Speed
		CMY Speed	Normal/ Fast	CMY Speed
		P/T Brake Mode	Smooth/Fast	P/T Brake Mode
		Hibernation	OFF, 01M~99M, 15M	Standby Mode
	Service Setting	Password	Password=XXX	Password"=050"
		Clear Err. Info	ON/OFF	Clear Err. Info
	Fans Control	Auto/High/Low/Studio/Mute	Fans Control	
	Display Setting	Shutoff Time	02~60m 05m	Display Shut Off Time
		Display Reverse	OFF/ ON/AUTO	Reverse 180 degree
Key Lock		ON/OFF	LCD Control Panel Key Lock	

SYSTEM MENU

MAIN MENU	OPTIONS / VALUES (Default Settings in BOLD)		DESCRIPTION	
Personality	Temperature C/F	Celsius	Temp C/F	
		Fahrenheit		
	Initial Status	PAN =XXX	Initial effect position	
	Select Signal	DMX Only	Select Signal	
		Art-Net		
		sACN		
	Ethernet IP	XXX. XXX. XXX. XXX	Ethernet IP	
	Ether Mask IP	XXX. XXX. XXX. XXX	Ether Mask IP	
	Set Universe	000~32767	Setting Art-Net Universe	
	DHCP	ON/OFF	DHCP	
	Dimmer Mode	Standard	Dimmer Mode	
		Stage		
TV				
Architectural				
Theatre				
Stage2				
Refresh	1200 , 900-1500,, 2500, 4000, 5000, 6000, 10000, 15000, 20000, 25000(Hz)	Refresh Frequency Rate Setting		
DimmerCurve	Linear , Square, Inverse Square, S-Curve	DimmerCurve Setting		
ResetDef	ON	PassCode (11)	Restore factory settings Password = "11"	
	Off			
Reset Function	Reset All		Reset Function	
	Reset Pan&Tilt			
	Reset Colors			
	Reset Gobos			
	ResetZoomModules			
	Reset Others			
Effect Adjust	Test Channel	Pan...	Test function	
	Manual Control	Pan = XXX :	Fine adjustment of the lamp	
	Calibration	Calibrate Password Pan=XXX :	Password = "050" Calibrate and adjust the effects to standard/right position	
User Mode	User Mode	Standard , Extended, Framing Standard, Framing Extended	User's mode to change channel numbers	
Edit Program	Select Program	Auto Pro Part 1 = Program 1 ~ 10 Program 1	Select Programs To Be Run	
		Auto Pro Part 2 = Program 1 ~ 10 Program 1		
		Auto Pro Part 3 = Program 1 ~ 10 Program 1		
	Edit Program	Prog 1	ProgTest	Testing Program
		:	Step 01 = SCxxx	Program In Loop
		Prog 10	STep 64 = SCxxx	Save and Exit
Edit Scenes	Edit Scene 001 ~ Edit Scene 250	Pan, Tilt, - Fade Time - - Scene Time - Input By Out	Save and Automatically Return Manual Scenes Edit	
Rec. Controller	XX~XX		Automatic Scenes Recorder	

SYSTEM MENU

FUNCTION - Auto Program

Define fixture mode (**Primary or Alone**) for running Auto Programs. Select desired internal programs under "**Select Program**", set the number of steps under "**Edit program**", and edit individual scenes under "**Edit Scenes**".

PERSONALITY - Status Settings - Address Via DMX

When ON, define the desired DMX address via an external controller.

NOTE: This process assumes the fixture DMX address is set to 001. If fixture DMX address is not at 001, you must adjust the channel numbers accordingly in order for this feature to work.

For example: if your fixture address is 010, then Channel 1 becomes Channel 10, Channel 2 becomes Channel 11, and Channel 3 becomes Channel 12.

1. Connect the fixture to the external controller and power **ON**.
2. Set the DMX value of **Channel 1** on the controller to (7).
3. Set the DMX value of **Channel 2** on the controller to (7) or (8). When set to (7), the DMX address can be set between (1) and (255). When set to (8), the DMX address can be set between (256) and (511).
4. Using **Channel 3** on the controller set the desired DMX address of the fixture.

Example 1:

If the desired DMX address is **57**, set **Channel 1** to a value of (7), set **Channel 2** to a value of (7), and then set **Channel 3** to a value of (57).

Example 2:

If the desired DMX address is **420**, set **Channel 1** to a value of (7), set **Channel 2** to a value of (8), and then set **Channel 3** to a value of (164). ($256+164=420$)

5. After setting **Channel 3** to the desired DMX address value, wait approximately 20 seconds for the fixture to complete the address reset function.

PERSONALITY - Service Settings - Password (050)

NOTE: The Service Password MUST be entered in order to access the following menus:

Clear Err. Info.

PERSONALITY - Display Setting - Key Lock

When **ON**, Control Panel buttons lock automatically after exiting main menu for 15 seconds. To unlock, keep **MODE/ESC** button pressed for 3 seconds.

PERSONALITY - Dimmer Curve

Select dimming curve (Linear, Square, InverseSquare, S-Curve).

PERSONALITY - Reset Default (011)

SYSTEM MENU



ONLY QUALIFIED TECHNICIANS SHOULD PERFORM THIS FUNCTION!
NOTE: SAVED WHITE BALANCE IS ERASED AFTER A RESET IS PERFORMED!

This function restores all fixture settings to the factory default settings. The password is 011 and must be entered each time a reset is performed.

EFFECT ADJUST - Test Channel

Auto test each individual channel function independently from the DMX control board.

EFFECT ADJUST - Manual Control

Select and manually test and fine adjust each individual channel function Independently from DMX control board. This function will center PAN and TILT motors and set dimmer to 100%. PAN and TILT functions will still operate if the fixture needs to be positioned to a flat clear surface. With the individual functions, you can focus the light on a flat surface (wall) and perform fine adjustments.



EFFECT ADJUST - Calibration
ONLY QUALIFIED TECHNICIANS SHOULD PERFORM THIS FUNCTION.

This function allows small adjustments to be made to the Pan, Tilt, and Zoom movements to compensate for wear or in the event a sensor has been knocked slightly out of place. Because improper use of this function can result in undesired operation this function has been password protected. The password is 050 and must be entered each time the calibration menu function is entered. Because calibration is an extremely delicate procedure, instructions on performing this action are left out of this manual. For a first-time calibrator, please contact our customer support team for step-by-step instructions.

EDIT PROGRAM - Rec. Controller

The fixture features an integrated DMX-recorder by which you can transmit the programmed scenes from your DMX-controller to the moving head. Adjust the desired scene numbers via the encoder (from – to). When you call up the scenes at your controller, they will automatically be transmitted to the moving head.

SYSTEM MENU

EDIT PROGRAM - Record Controller - Working With Built - In Programs

A Primary unit can send up to 3 different data groups to the Secondary units, i.e. a Primary unit can start 3 different Secondary units, which run 3 different programs. The Primary unit sends the 3 program parts in a continuous loop.



The Secondary unit receives data from the Primary unit according to the group which the Secondary unit was assigned to. If e.g. a Secondary unit is set to **“Secondary 1”** in the menu **“Set to Secondary”**, the Primary unit sends **“Auto Program Part 1”** to the Secondary unit. If set to **“Secondary 2”**, the Secondary unit receives **“Auto Program Part 2”**.

To start an Auto Program proceed as follows:

1. Secondary Setting

- Select **“Function Mode”**.
- Press **ENTER** to confirm.
- Select **“Set to Secondary”**.
- Press **ENTER** to confirm.
- Select **“Secondary 1”**, **“Secondary 2”** or **“Secondary 3”**.
- Press **ENTER** to confirm.
- Press **MODE/ESC** in order to return to the main menu.

2. Automatic Program Run

- Select **“Function Mode”**.
- Press **ENTER** to confirm.
- Select **“Auto Program”**.
- Press **ENTER** to confirm.
- Select **“Primary”** or **“Alone”**.
- Press **ENTER** to confirm.
- Press **MODE/ESC** in order to return to the main menu.

SYSTEM MENU

EDIT PROGRAM - Record Controller - Working With Built-In Program [continued]

3. Program Selection for Auto Pro Part

- Select "Edit Program".
- Press **ENTER** to confirm.
- Select "Select Programs".
- Press **ENTER** to confirm.
- Select "Auto Pro Part 1", "Auto Pro Part 2" or "Auto Pro Part 3", and select which Secondary program is to be sent. Selection "Part 1" means, that the Secondary unit runs the same program as the Primary units.
- Press **ENTER** to confirm.
- Press **MODE/ESC** in order to return to the main menu.

4. Program Selection for Edit Program

- Select "Edit Program".
- Press **ENTER** to confirm.
- Select "Edit Program".
- Press **ENTER** to confirm.
- Select the desired program to edit specific scenes into a specific program.
- Press **ENTER** to confirm.
- Press **MODE/ESC** in order to return to the main menu.

5. Automatic Scene Recording

- Select "Edit Program".
- Press **ENTER** to confirm.
- Select "Edit Scenes".
- Press **ENTER** to confirm.
- Select desired scene numbers. A maximum of 250 scenes can be programmed.
- Press **ENTER** to confirm.
- Press **MODE/ESC** in order to return to the main menu.

EDIT PROGRAM - Record Controller - Working With Built - In Program [continued]

Example:

Program 2 includes scenes: 10, 11, 12, & 13

Program 4 includes scenes: 8, 9, & 10

Program 6 includes scenes: 12, 13, 14, & 15

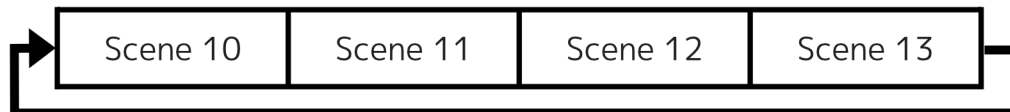
Auto Pro Part 1 is Program 2

Auto Pro Part 2 is Program 3

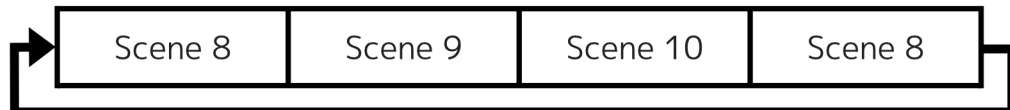
Auto Pro Part 3 is Program 6

The 3 Secondary groups run the Auto Program in certain time segments.

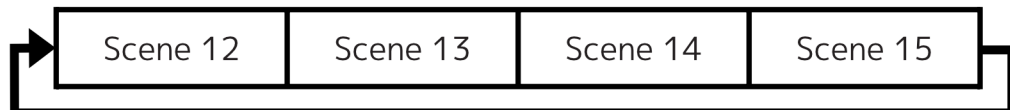
Part 1



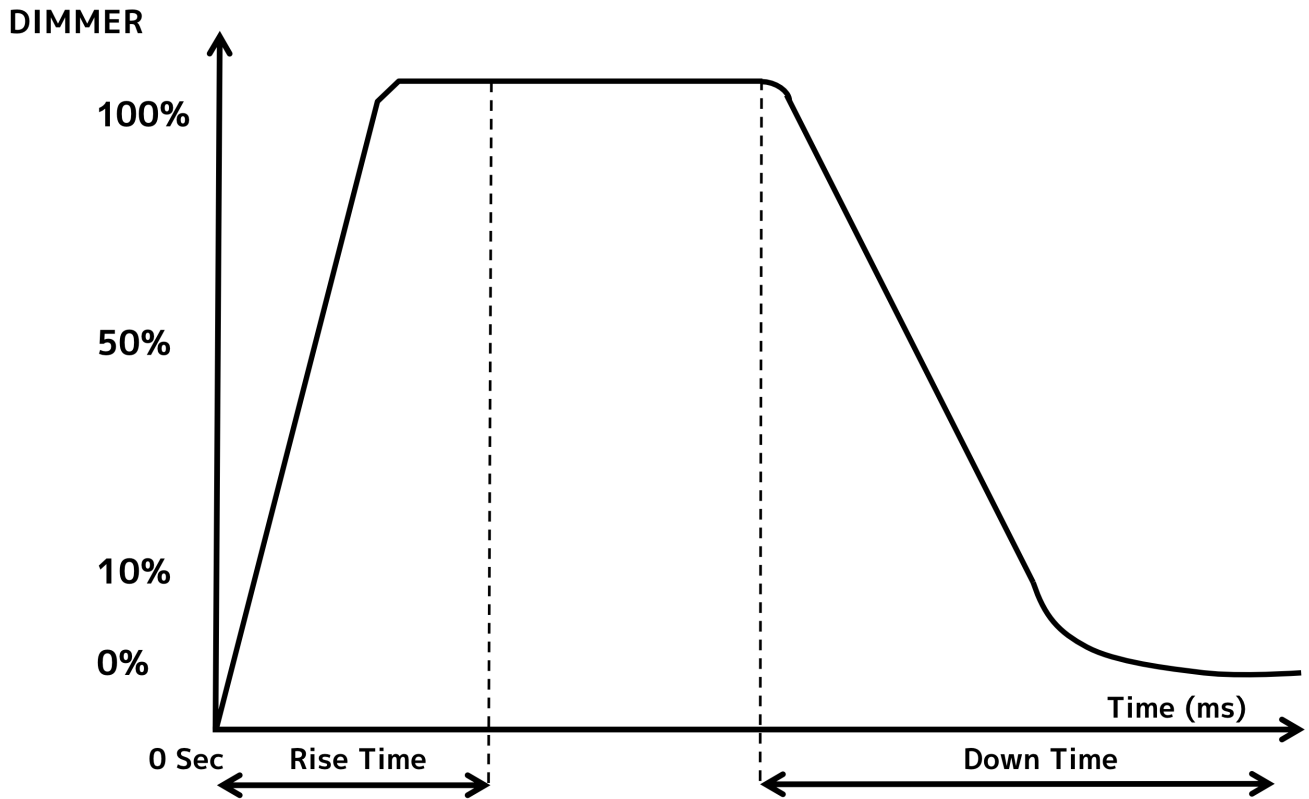
Part 2



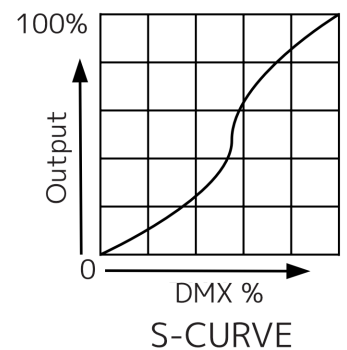
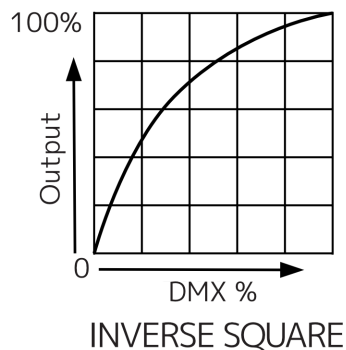
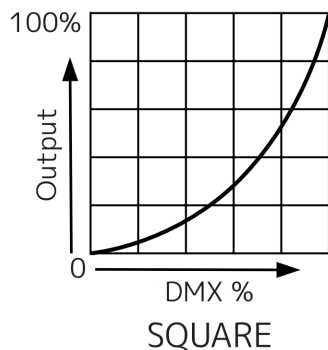
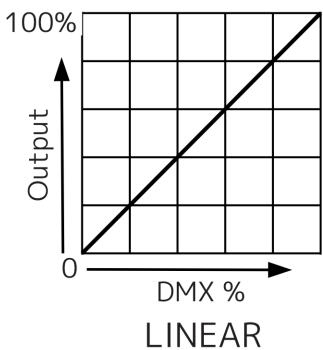
Part 3



DIMMER MODE



Dimming Curve Ramp Effect	0 sec Fade Time		1 sec Fade Time	
	Rise Time (ms)	Down Time (ms)	Rise Time (ms)	Down Time (ms)
Standard (default)	0	0	0	0
Stage	780	1100	1540	1660
TV	1180	1520	1860	1940
Architectural	1380	1730	2040	2120
Theatre	1580	1940	2230	2280
Stage 2	0	1100	0	1660



DMX TRAITS: CHANNEL FUNCTIONS & VALUES

Features subject to change without notice

MODE/CHANNEL				VALUE	FUNCTION	FADE STATUS	DEFAULT VALUE
STANDARD	EXTENDED	FRAMING STANDARD	FRAMING EXTENDED				
1	1	1	1	0-255	Pan Movement	Fade	127
2	2	2	2	0-255	Pan Fine Fine Movement	Fade	127
3	3	3	3	0-255	Tilt Movement	Fade	127
4	4	4	4	0-255	Tilt Fine Fine Movement	Fade	127
5	5	5	5	0-255	Cyan 0 → 100%	Fade	0
	6		6	0-255	Cyan Fine Fine Adjustment	Fade	0
6	7	6	7	0-255	Magenta 0 → 100%	Fade	0
	8		8	0-255	Magenta Fine Fine Adjustment	Fade	0
7	9	7	9	0-255	Yellow 0 → 100%	Fade	0
	10		10	0-255	Yellow Fine Fine Adjustment	Fade	0
8	11	8	11	0-255	CTO Cold → Warm	Fade	0
	12		12	0-255	CTO Fine Fine Adjustment	Fade	0
9	13	9	13		Color Wheel	Snap	0
				0-19	Open		
				20-37	Red		
				38-55	Green		
				56-73	UV		
				74-91	HCRI		
				92-109	Orange		
				110-127	Medium Blue		
					Color Scroll		
				128-189	Clockwise,fast → slow		
				190-193	Stop		
194-255	Counter-clockwise,slow → fast						
	14		14	0-255	Color Wheel Fine Fine Adjustment	Snap	0
10	15	10	15		Rotating Gobo	Snap	0
				0-9	Open		
				10-19	Gobo 1		
				20-29	Gobo 2		
				30-39	Gobo 3		
				40-49	Gobo 4		
				50-59	Gobo 5		
				60-69	Gobo 6		
				70-89	Gobo 1 Shake slow → fast		
				90-109	Gobo 2 Shake slow → fast		
				110-129	Gobo 3 Shake slow → fast		
				130-149	Gobo 4 Shake slow → fast		
				150-169	Gobo 5 Shake slow → fast		
				170-189	Gobo 6 Shake slow → fast		
	Gobo Scroll						
190-221	Clockwise,fast → slow						
222-223	Stop						
224-255	Counter-clockwise,slow → fast						
11	16	11	16		Rotating Gobo Index	Fade	64
				0-127	Gobo Index		
				128-189	Clockwise,fast → slow		
				190-193	Stop		
	17		17	0-255	Rotating Gobo Index Fine Fine Adjustment	Fade	127

DMX TRAITS: CHANNEL FUNCTIONS & VALUES

Features subject to change without notice

MODE/CHANNEL				VALUE	FUNCTION	FADE STATUS	DEFAULT VALUE
STANDARD	EXTENDED	FRAMING STANDARD	FRAMING EXTENDED				
13	18	13	18	0-255	Focus Focus edge adjustment	Fade	127
14	19	14	19	0-255	Focus Fine Focus adjustment Fine	Fade	127
15	20	15	20	0-255	Zoom Narrow → Wide	Fade	127
16	21	16	21	0-255	Zoom Fine Fine Adjustment	Fade	127
					Auto Focus		
				0-50	Auto Focus Off		
	22		22	51-100	5m	Snap	0
				101-150	7.5m		
				151-200	10m		
				201-255	15m		
	23		23	0-255	AutoFocus Fine Fine Adjustment	Snap	0
					Shutter		
				0-31	Closed		
				32-63	Open		
				64-95	Strobe slow → fast		
17	24	17	24	96-127	Open	Snap	50
				128-159	Pulse-effect		
				160-191	Open		
				192-223	Random strobe slow → fast		
				224-255	Open		
18	25	18	25	0-255	Dimmer 0 → 100%	Fade	0
19	26	19	26	0-255	Dimmer Fine Fine Adjustment	Fade	0
					Dim Modes		
				0-20	Standard		
				21-40	Stage		
				41-60	TV		
				61-80	Architectural		
				81-100	Theatre		
				101-120	Stage 2		
					Dimmer Delay Time		
				121	0s		
				122	0.1s		
				123	0.2s		
				124	0.3s		
				125	0.4s		
				126	0.5s		
20	27	20	27	127	0.6s	Snap	0
				128	0.7s		
				129	0.8s		
				130	0.9s		
				131	1.0s		
				132	1.5s		
				133	2.0s		
				134	3.0s		
				135	4.0s		
				136	5.0s		
				137	6.0s		
				138	7.0s		
				139	8.0s		
				140	9.0s		
				141	10s		
				142-255	Idle		

DMX TRAITS: CHANNEL FUNCTIONS & VALUES

Features subject to change without notice

MODE/CHANNEL				VALUE	FUNCTION	FADE STATUS	DEFAULT VALUE
STANDARD	EXTENDED	FRAMING STANDARD	FRAMING EXTENDED				
					Iris		
21	28	21	28	0-191	Open → Close		
				192-223	Pulse closing fast → slow		
				224-255	Pulse opening slow → fast		
	29		29		Iris Fine Fine Adjustment		
22	30	22	30	0-255	Frost Open → Max		
					Animation wheel		
23	31	23	31	0-7	Open		
				8-255	Min → Max		
					Animation Index		
24	32	24	32	0-127	Animation Index		
				128-189	Clockwise, fast → slow		
				190-193	Stop		
				194-255	Counter-clockwise, slow → fast		
	33		33	0-255	Color Macro Speed Max → Min		
					Color Macro		
	34		34	0-31	Open		
		32-39		Macro1			
		40-47		Macro2			
		48-55		Macro3			
		56-63		Macro4			
		64-71		Macro5			
		72-79		Macro6			
		80-87		Macro7			
		88-95		Macro8			
		96-103		Macro9			
		104-111		Macro10			
		112-119		Macro11			
		120-127		Macro12			
		128-135		Macro13			
		136-143		Macro14			
		144-151		Macro15			
		152-159		Macro16			
		160-167		Macro17			
		168-175		Macro18			
		176-183		Macro19			
		184-191		Macro20			
		192-199		Macro21			
		200-207		Macro22			
		208-215		Macro23			
	216-223	Macro24					
	224-231	Macro25					
	232-239	Macro26					
	240-247	Macro27					
	248-255	Random CMY					

DMX TRAITS: CHANNEL FUNCTIONS & VALUES

Features subject to change without notice

MODE/CHANNEL				VALUE	FUNCTION	FADE STATUS	DEFAULT VALUE
STANDARD	EXTENDED	FRAMING STANDARD	FRAMING EXTENDED				
		25	35	0-255	Blade 1A Open → Close	Fade	0
				0-255	Blade 1A Fine Fine Adjustment	Fade	0
		26	37	0-255	Blade 1B Open → Close	Fade	0
				0-255	Blade 1B Fine Fine Adjustment	Fade	0
		27	39	0-255	Blade 2A Open → Close	Fade	0
				0-255	Blade 2A Fine Fine Adjustment	Fade	0
		28	41	0-255	Blade 2B Open → Close	Fade	0
				0-255	Blade 2B Fine Fine Adjustment	Fade	0
		29	43	0-255	Blade 3A Open → Close	Fade	0
				0-255	Blade 3A Fine Fine Adjustment	Fade	0
		30	45	0-255	Blade 3B Open → Close	Fade	0
				0-255	Blade 3B Fine Fine Adjustment	Fade	0
		31	47	0-255	Blade 4A Open → Close	Fade	0
				0-255	Blade 4A Fine Fine Adjustment	Fade	0
		32	49	0-255	Blade 4B Open → Close	Fade	0
				0-255	Blade 4b Fine Fine Adjustment	Fade	0
		33	51		Framing Index	Fade	127
				0-126	Min (-45°)		
				127-128	Parallel (0°)		
				129-255	Max (+45°)		
			52	0-255	Framing IndexFine Fine Adjustment	Fade	127
			53	0-255	Framing Speed Max → Min	Fade	0
			54		Framing Macro	Snap	0
				0-7	Open		
				8-15	Macro1		
				16-23	Macro2		
				24-31	Macro3		
				32-39	Macro4		
				40-47	Macro5		
				48-55	Macro6		
				56-63	Macro7		
				64-71	Macro8		
				72-79	Macro9		
				80-87	Macro10		
				88-95	Macro11		
				96-103	Macro12		
				104-111	Macro13		
				112-119	Macro14		
				120-127	Macro15		
				128-135	Macro16		
				136-143	Macro17		
				144-151	Macro18		
				152-159	Macro19		
				160-167	Macro20		
				168-175	Macro21		
				176-183	Macro22		
				184-191	Macro23		
				192-199	Macro24		
				200-207	Macro25		
				208-215	Macro26		
			216-223	Macro27			
			224-231	Macro28			
			232-239	Macro29			
			240-247	Macro30			
			248-255	Macro31			

DMX TRAITS: CHANNEL FUNCTIONS & VALUES

Features subject to change without notice

MODE/CHANNEL				VALUE	FUNCTION	FADE STATUS	DEFAULT VALUE
STANDARD	EXTENDED	FRAMING STANDARD	FRAMING EXTENDED				
	35		55		Pan / Tilt Speed	Snap	0
				0-225	Max → Min Speed		
				226-235	Blackout by movement		
				236-245	Blackout by wheel changes		
				246-255	No function		
					Control	Snap	Snap
				0-19	Color change normal		
				20-29	Color change to any position		
				30-39	Color & gobo change to any position		
				40-44	Low Noise - Mute		
				45-49	Low Noise - Studio		
				50-54	Fan Control - Low		
				55-59	Fan Control - High		
				60-64	Fan Control - Auto (Default)		
				65-79	Idle		
				80-84	All motor reset		
				85-87	Pan / Tilt reset		
				88-90	Color reset		
				91-93	Gobo reset		
				94-96	Focus and Zoom reset		
				97-99	Other motor reset		
					Refresh Rate (Hz)		
				100	900		
				101	910		
				102	920		
				103	930		
				104	940		
				105	950		
25	36	34	56	106	960		
				107	970		
				108	980		
				109	990		
				110	1000		
				111	1010		
				112	1020		
				113	1030		
				114	1040		
				115	1050		
				116	1060		
				117	1070		
				118	1080		
				119	1090		
				120	1100		
				121	1110		
				122	1120		
				123	1130		
				124	1140		
				125	1150		
				126	1160		
				127	1170		
				128	1180		
				129	1190		
				130	1200		

DMX TRAITS: CHANNEL FUNCTIONS & VALUES

Features subject to change without notice

MODE/CHANNEL				VALUE	FUNCTION	FADE STATUS	DEFAULT VALUE
STANDARD	EXTENDED	FRAMING STANDARD	FRAMING EXTENDED				
25	36	34	56	131	1210	Snap	Snap
				132	1220		
				133	1230		
				134	1240		
				135	1250		
				136	1260		
				137	1270		
				138	1280		
				139	1290		
				140	1300		
				141	1310		
				142	1320		
				143	1330		
				144	1340		
				145	1350		
				146	1360		
				147	1370		
				148	1380		
				149	1390		
				150	1400		
				151	1410		
				152	1420		
				153	1430		
				154	1440		
				155	1450		
				156	1460		
				157	1470		
				158	1480		
				159	1490		
				160	1500		
				161	2500		
				162	4000		
				163	5000		
				164	6000		
				165	10000		
				166	15000		
				167	20000		
				168	25000		
169-172	Idle						
173-174	Hibernate Fixture						
175-176	Hibernate Off						
177-178	Sun Protection Position						
179-180	Sun Protection Off						
181-185	PanTilt Smooth (default)						
186-190	PanTilt Fast						
191-195	CMY Speed Normal						
196-200	CMY Speed Fast (default)						
201-210	Dimmer Curve Linear (default)						
211-220	Dimmer Curve Square						
221-230	Dimmer Curve Inverse Square						
231-240	Dimmer Curve S-Curve						

DMX TRAITS: CHANNEL FUNCTIONS & VALUES

Features subject to change without notice

MODE/CHANNEL				VALUE	FUNCTION	FADE STATUS	DEFAULT VALUE
STANDARD	EXTENDED	FRAMING STANDARD	FRAMING EXTENDED				
25	36	34	56	241	Internal program 1 (Scene 1-8)	Snap	Snap
				242	Internal program 2 (Scene 9-16)		
				243	Internal program 3 (Scene 17-24)		
				244	Internal program 4 (Scene 25-32)		
				245	Internal program 5 (Scene 33-40)		
				246	Internal program 6 (Scene 41-48)		
				247	Internal program 7 (Scene 49-56)		
				248-249	Idle		
				250-251	Display off		
				252-253	Display on		
				254-255	Idle		

REMOTE DEVICE MANAGEMENT (RDM)

NOTE: In order for RDM to work properly, RDM enabled equipment must be used throughout the entire system, including DMX data splitters and wireless systems.

Remote Device Management (RDM) is a protocol that sits on top of the DMX512 data standard for lighting, allowing the DMX systems of the device to be managed, modified, and monitored remotely (hence, remote device management). This protocol is ideal for fixtures installed in locations that are not easily accessible.

With RDM, the DMX512 system becomes bi-directional, allowing a compatible RDM enabled controller to send out a signal to devices on the wire, as well as allowing the fixture to respond (known as a GET command). The controller can then use it's SET command to modify settings that would typically have to be changed or viewed directly via the unit's display screen, including the DMX Address, DMX Channel Mode, and Temperature Sensors.

FIXTURE RDM INFORMATION:

RDM Code	Device ID	Device Model ID	Personality ID
0X6E4	OPEN	1764	OPEN

Please be aware that not all RDM devices support all RDM features, and therefore it is important to check beforehand to ensure that the equipment that you are considering includes all of the features that you require.

The following parameters are accessible in RDM on this device:

LED FIXTURE	
Sensor Definition	YES
Sensor Value	YES
Device Model Description	YES
Manufacturer Label	YES
Device Label	YES
DMX Personality	YES
DMX Personality Description	YES
Device Hours	YES
Pan Invert	YES
Tilt Invert	YES
Display Invert	YES

ERROR CODES

When power is applied, the unit will automatically enter a “Reset/Test” mode. This mode brings all the internal motors to a home position. If there is an internal problem with one or more of the motors an error code will flash in the display in the form of “XXEr” where as XX will represent a function number. For example, when the display shows “0Er” it means there is some type of error with the Pan motor. If there are multiple errors during the start-up process they will all flash in the display. For example: if the fixtures has errors on **Channel 1, 2, and 5** all at the same time, you will see the error message “01Er”, “02Er”, and “05Er” flash repeated 5 times.

If an error does occur during the initial start-up procedure the fixture will self-generate a second reset signal and try to realign all the motors and correct the errors. If the error persists after a second attempt a third attempt will be made. If after a third attempt all the errors have not been corrected the fixture will make the following determinations:

- **3 or More Errors:** The fixture cannot function properly with three or more errors therefore the fixture will place itself in a stand-by mode until subsequent repairs can be made.
- **Less Than 3 Errors:** The fixture has less than 3 errors; therefore, most other functions will work properly. The fixture will attempt to operate normally until the errors can be correct by a technician. The errors in question will remain flashing in the display as a reminder of internal errors.

ERROR CODES	DESCRIPTION	ERROR CODES	DESCRIPTION
PAN Er TILT Er	Movement is not located in the default position after the reset. This message will appear after a fixture reset if the magnetic-indexing circuit malfunctions (sensor failed, or magnet is missing) or there is a motor failure (defective motor or a defective motor IC drive on the main PCB). This error may also be displayed if the head/yoke was blocked during TILT Er a reset function.	4UHeadFan1 Error	4UHeadFan1 Error
Cyan Color Er Magenta Color Er Yellow Color Er CTO Color Er Color Wheel Er Focus Er Zoom Er Iris Er Animation Er Animation Rot Er	Movement is not located in the default position after the reset. This message will appear after a fixture reset if the magnetic-indexing circuit malfunctions (sensor failed, or magnet is missing) or there is a motor failure (defective motor or a defective motor IC drive on the main PCB).	4UHeadFan2 Error	4UHeadFan2 Error
LED Temp Error	Led thermal sensor abnormal- cannot be detected or can be broken	4UHeadFan5 Error	4UHeadFan5 Error
Head Temp Error	Head thermal sensor abnormal- cannot be detected or can be broken	5UHeadFan1 Error	5UHeadFan1 Error
Base Temp Error	Base thermal sensor abnormal- cannot be detected or can be broken	5UHeadFan2 Error	5UHeadFan2 Error
Base HD Warning	70% ≥Base humidity < 85%	6UHeadFan1 Error	6UHeadFan1 Error
Base HD Higher	Base humidity >=85%	6UHeadFan2 Error	6UHeadFan2 Error
Head HD Warning	70% ≥Head humidity < 85%	7HeadFan1 Error	7HeadFan1 Error
Head HD Higher	Head humidity >=85%	7HeadFan2 Error	7HeadFan2 Error
Base HD Error	Base humidity sensor abnormal-cannot be detected or can be broken	10HeadFan1 Error	10HeadFan1 Error
Head HD Error	Head humidity sensor abnormal-cannot be detected or can be broken	10HeadFan2 Error	10HeadFan2 Error
4UHeadFan1 Error	4UHeadFan1 Error	11HeadFan1 Error	11HeadFan1 Error
4UHeadFan2 Error	4UHeadFan2 Error	Base Fan1 Error	Base Fan1 Error
4UHeadFan5 Error	4UHeadFan5 Error	Base Fan2 Error	Base Fan2 Error
5UHeadFan1 Error	5UHeadFan1 Error	Base Fan3 Error	Base Fan3 Error
5UHeadFan2 Error	5UHeadFan2 Error	Base Fan4 Error	Base Fan4 Error
6UHeadFan1 Error	6UHeadFan1 Error	2U01 Com Fail	2U01 PCB communication Fail
6UHeadFan2 Error	6UHeadFan2 Error	3U01 Com Fail	3U01 PCB communication Fail
7HeadFan1 Error	7HeadFan1 Error	4U01 Com Fail	4U01 PCB communication Fail
7HeadFan2 Error	7HeadFan2 Error	5U01 Com Fail	5U01 PCB communication Fail
10HeadFan1 Error	10HeadFan1 Error	6U01 Com Fail,	6U01 PCB communication Fail,
10HeadFan2 Error	10HeadFan2 Error	7U01 Com Fail	7U01 PCB communication Fail
11HeadFan1 Error	11HeadFan1 Error	8U01 Com Fail	8U01 PCB communication Fail
Base Fan1 Error	Base Fan1 Error	9U01 Com Fail	9U01 PCB communication Fail
Base Fan2 Error	Base Fan2 Error	10U01 Com Fail	10U01 PCB communication Fail
Base Fan3 Error	Base Fan3 Error	11U01 Com Fail	11U01 PCB communication Fail
5U01 Com Fail	5U01 PCB communication Fail		
6U01 Com Fail,	6U01 PCB communication Fail,		
7U01 Com Fail	7U01 PCB communication Fail		
8U01 Com Fail	8U01 PCB communication Fail		
9U01 Com Fail	9U01 PCB communication Fail		
10U01 Com Fail	10U01 PCB communication Fail		
11U01 Com Fail	11U01 PCB communication Fail		

SOFTWARE UPDATES

You can obtain the **Elation Ethernet Updater** by contacting Elation Service:

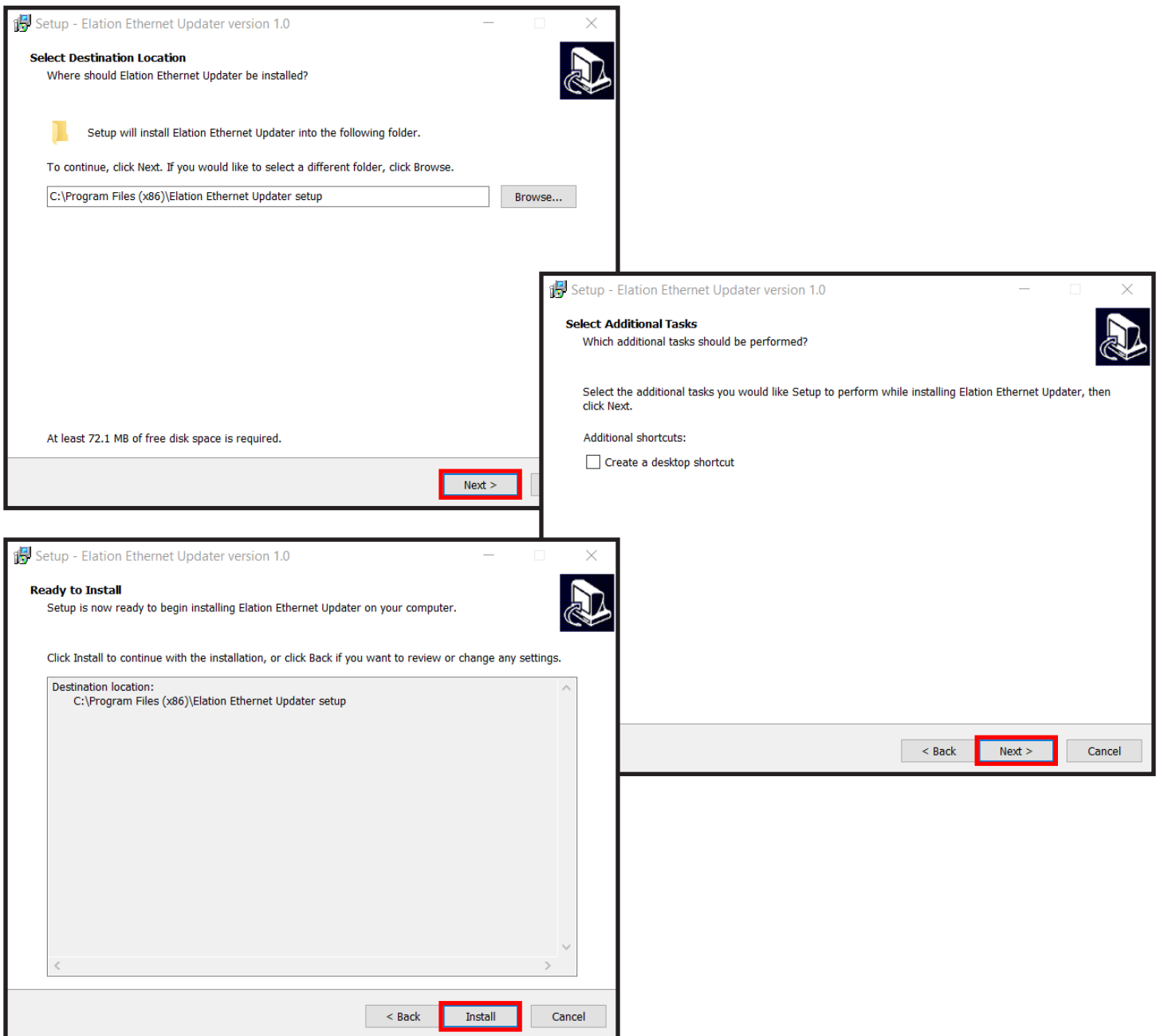
ELATION SERVICE USA - Monday - Friday 8:00am to 4:30pm PST 323-582-3322 | Fax 323-832-9142 | support@elationlighting.com

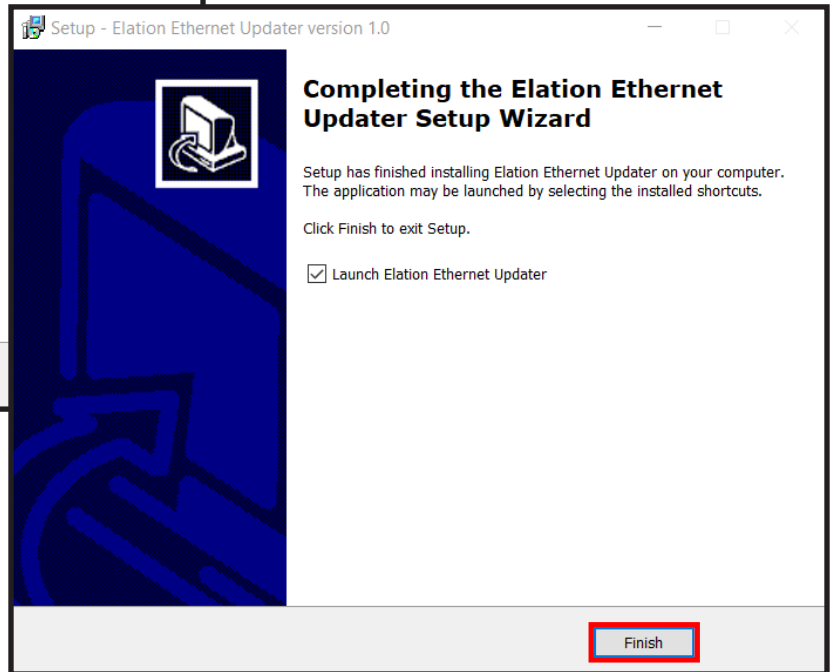
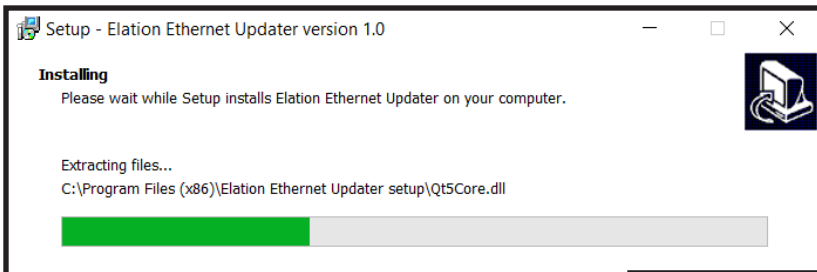
**ELATION SERVICE EUROPE - Monday - Friday 08:30 to 17:00 CET
+31 45 546 85 63 | Fax +31 45 546 85 96 | support@elationlighting.eu**

The **Elation Ethernet Updater** is an EXE file, which only works on a PC System. Once you've received the Elation Ethernet Updater RAR file from Elation Service via email, download and extract the EXE file. With the file extracted, click **Elation Ethernet Updater setupV100.exe** to launch the installation wizard.

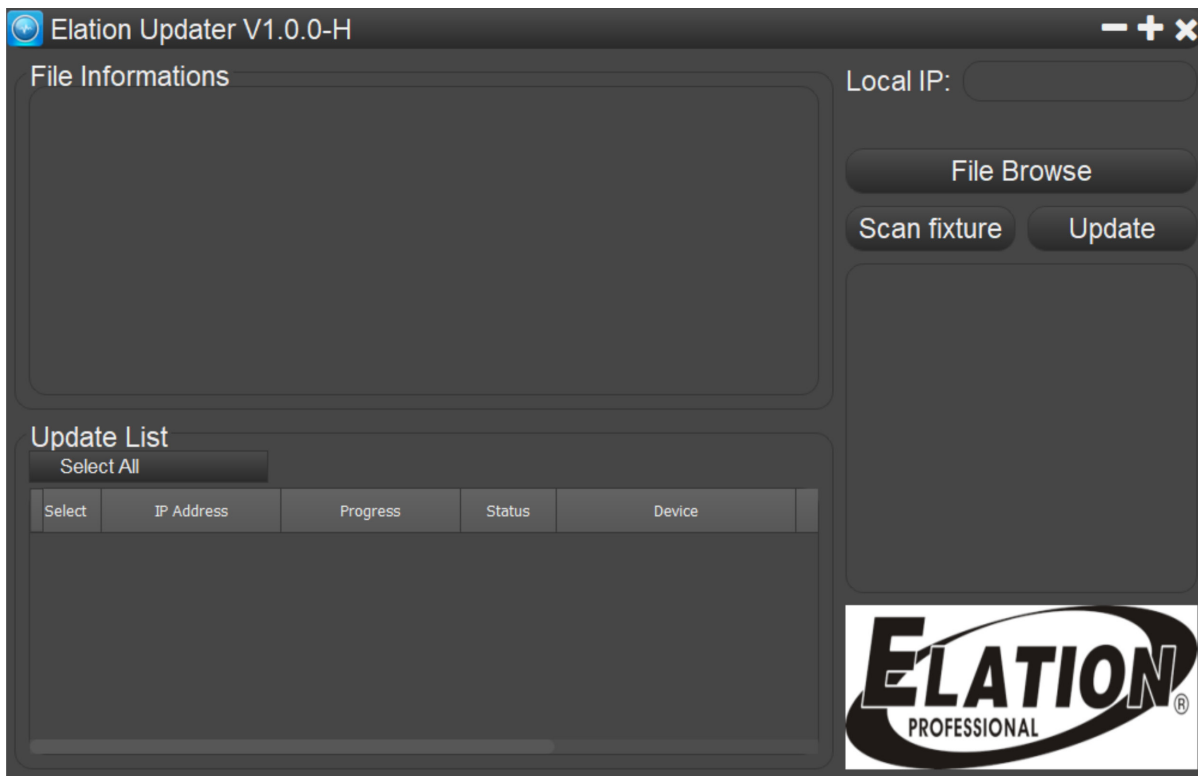


Follow the prompts once the Elation Ethernet Updater EXE has launched the Setup Wizard.

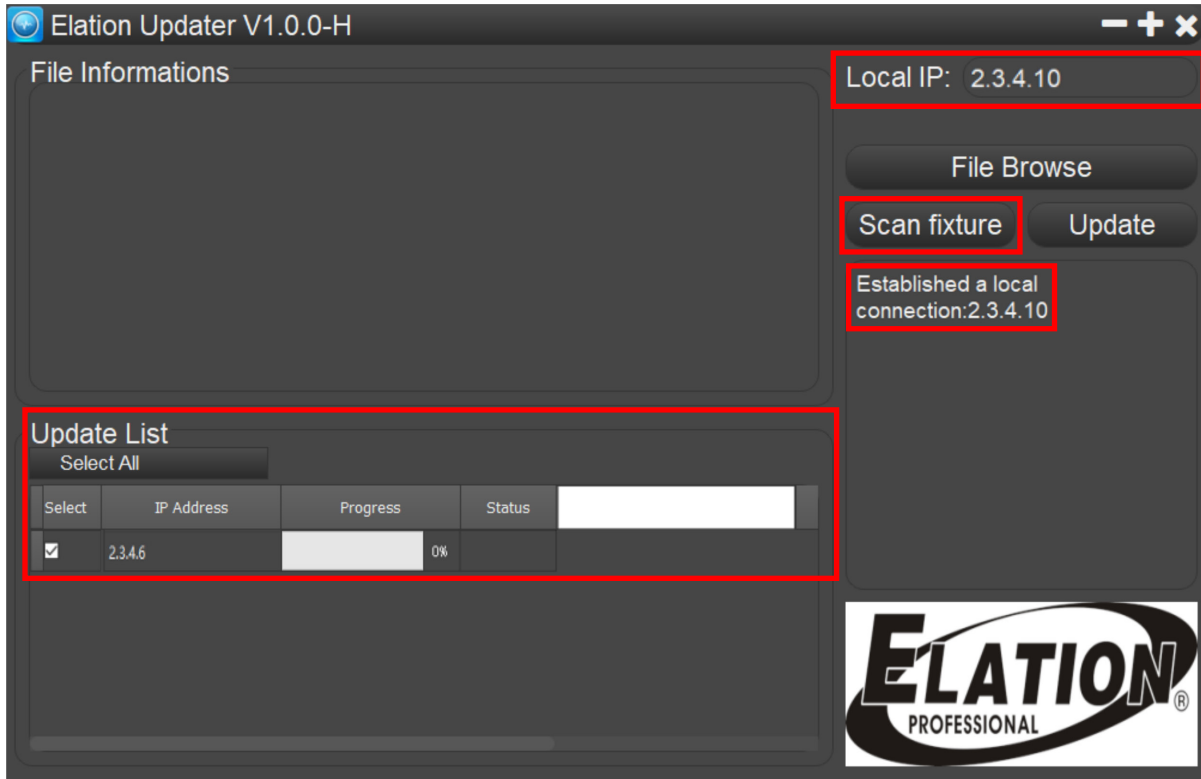




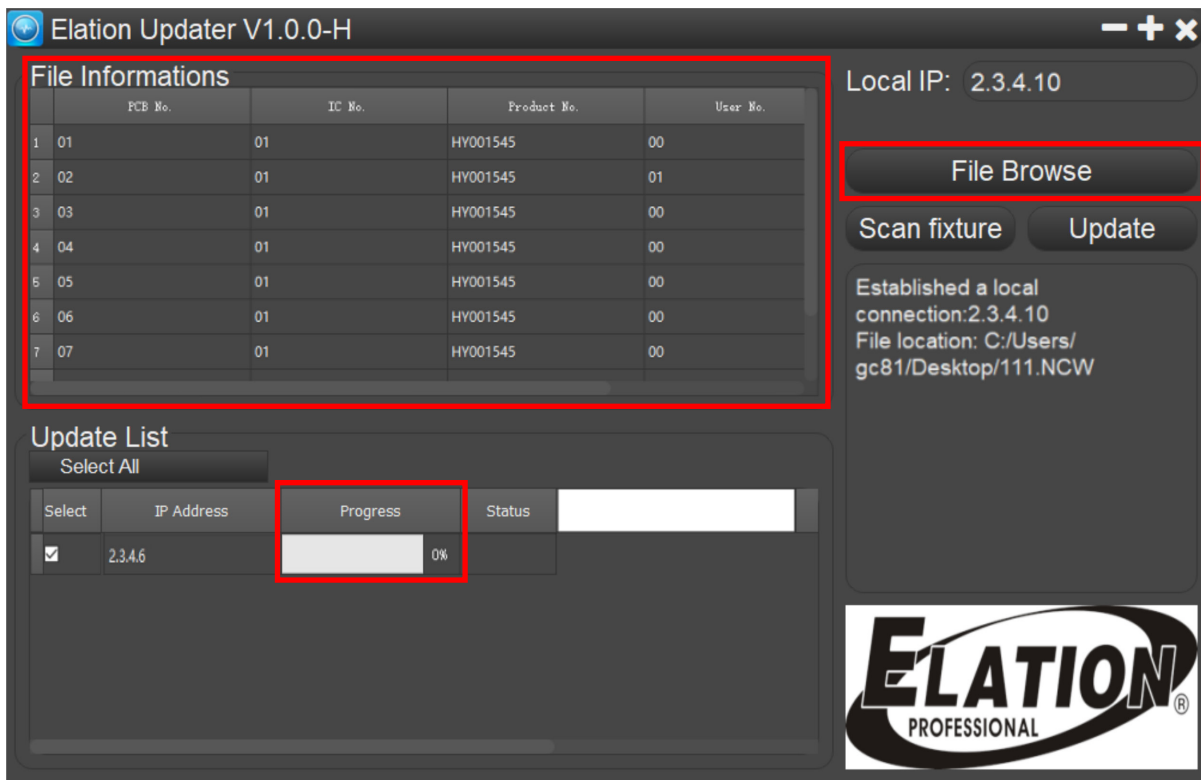
Once you have installed Elation Ethernet Updater, it will launch automatically (unless you unchecked the “Launch Elation Ethernet Updater”), or you can open it anytime by clicking on the icon.



Once opened, it will automatically identify your local IP. Click “Scan fixture” and create a connection. The fixture identity will appear in the Update List on the left side of browser. A connection will fail to establish if the fixture IP and Local IP are not in the same network segment.



Click “File Browse” to select the files you want to download. The download Progress is displayed in the File information chart as a percentage bar graph.



Click Update, then wait for the download Progress to reach 100% before closing Updater. The Elation Ethernet Updater can update up to 31 fixtures via connection to a PC.

File Informations

	PCB No.	IC No.	Product No.	User No.
1	01	01	HY001545	00
2	02	01	HY001545	01
3	03	01	HY001545	00
4	04	01	HY001545	00
5	05	01	HY001545	00
6	06	01	HY001545	00
7	07	01	HY001545	00

Update List

Select	IP Address	Progress	Status
<input checked="" type="checkbox"/>	2.3.4.6	100%	finished

Local IP: 2.3.4.10

File Browse

Scan fixture **Update**

Established a local connection: 2.3.4.10
File location: C:/Users/gc81/Desktop/111.NCW

SPECIFICATIONS

SOURCE

1200W 6,500K Bright White LED Engine
30,000 Hour Average LED Life*

*May vary depending on several factors including but not limited to:
Environmental Conditions, Power/Voltage, Usage Patterns (On-Off Cycling), Control, and Dimming.

PHOTOMETRIC DATA

75,000 Total Lumen Output
CRI 70+ (82+ with HCRI Filter)
2:1 Peak Field
Zoom Range 4.5° - 45°
Beam Angle 4.4° - 39.4°
Field Angle 6.8° - 49.7°

EFFECTS

Motorized Zoom (220mm / 8.7 in Front Aperture)
Full 360° Bi-Directional Animation Wheel
Variable Frost Filter
Motorized Iris with Variable Pulse Effects
Variable 16-bit Dimming Curve Modes
High Speed Electronic Shutter and Strobe
DMX Controllable LED Refresh Rate
Pan Angle: 540°/630°
Tilt Angle: 266°

COLOR

CMY Color Mixing
Linear CTO Color Correction
6 Dichroic Colors including High CRI Filter and UV

GOBOS

6 Rotating / Indexing Interchangeable Beam Shaping + FX Gobos
OPTIONAL FRAMING MODULE
4 Rotating Full Blackout Framing Blades
+/-45° Framing Indexing

CONTROL / CONNECTIONS

4 DMX Channel Modes (25 / 36 / 34 / 56)
16-bit Pan, Tilt and Dimming Control
Motorized Focus
DMX, RDM, Art-NET, sACN Protocol Support
(6) Button Touch Control Panel
Full Color 180° Reversible LCD Menu Display
Hibernation Mode (Power Save)
5pin XLR DMX In/Out
IP65 RJ45 ethernet In/Out
IP65 Locking Power Cable In
With Wired Digital Communication Network

SIZE / WEIGHT

Length: 25.3 in (643.6mm)
Width: 18.0 in (456.9mm)
Height: 34.2 in (869mm)
Weight: 104.1 lbs. (47.2kg)

ELECTRICAL

AC 120-240V 50/60Hz
Max Power Consumption 1,700W
-4°F to 113°F (-20°C to 45°C)

APPROVALS / RATINGS

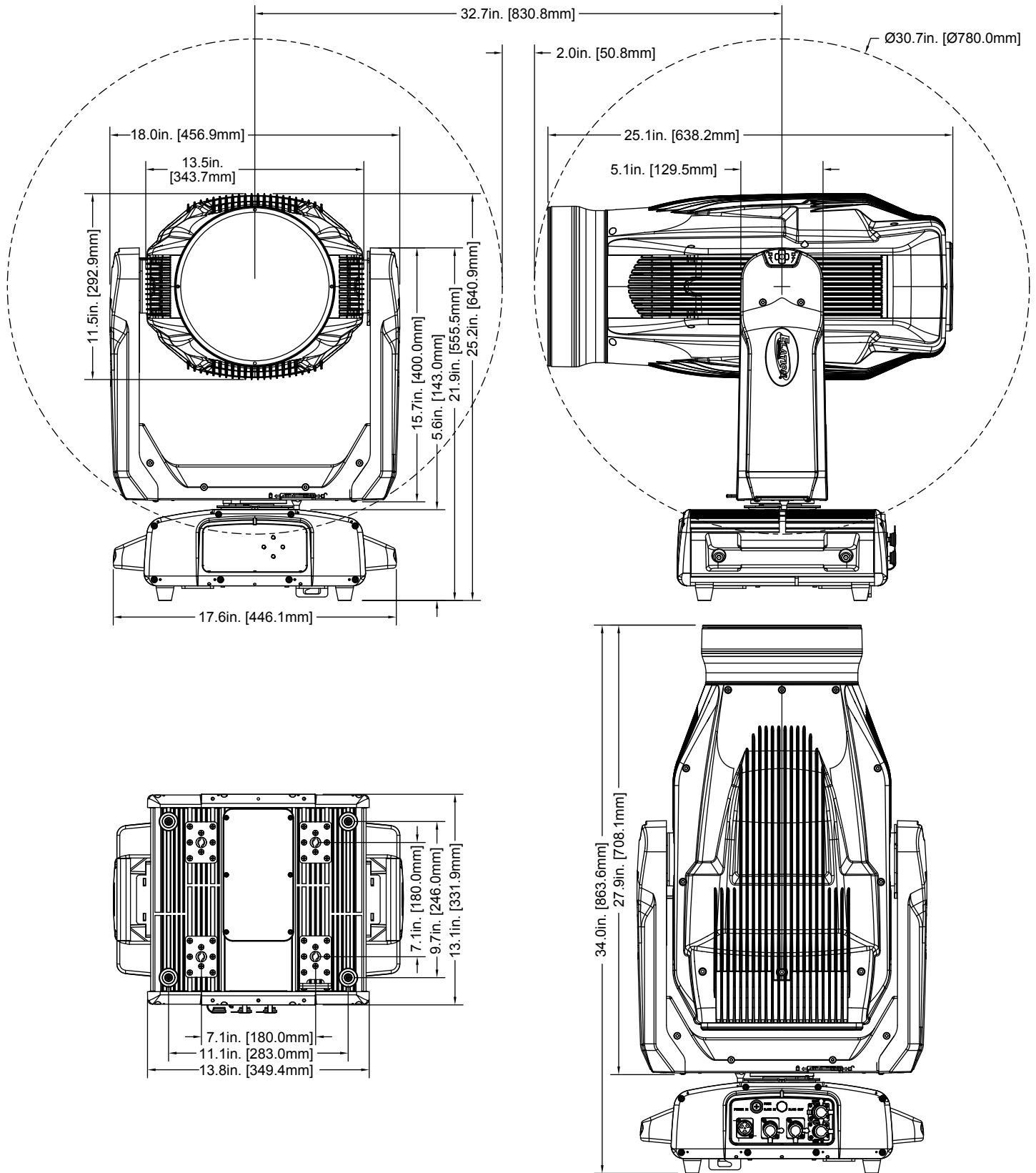
CE | cETLus | IP65 | UKCA



Specifications and documentation subject to change without notice.

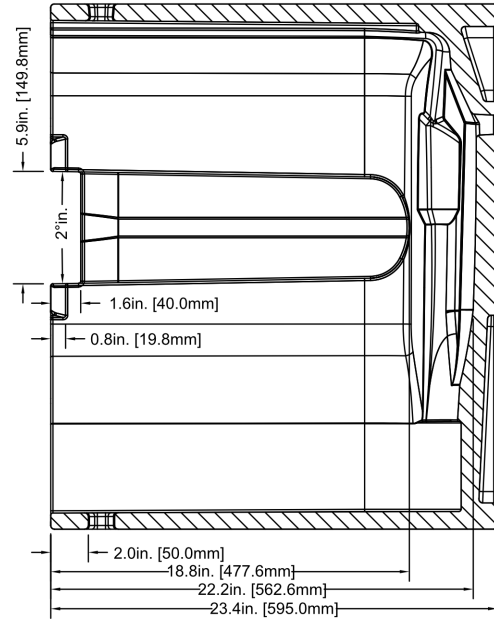
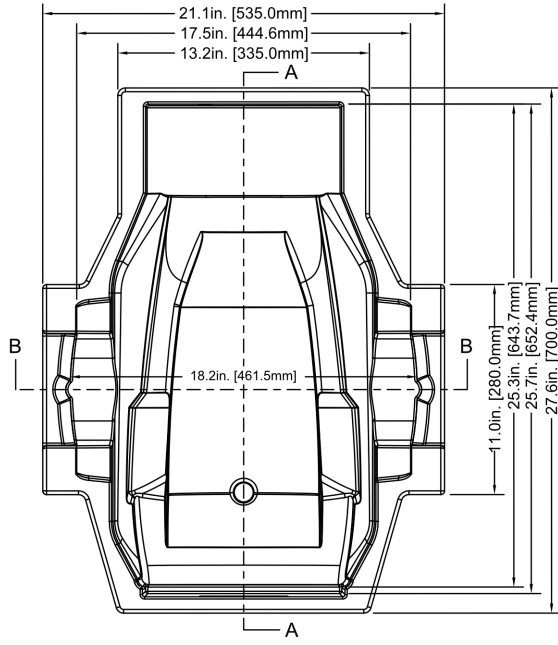
DIMENSIONS

*Drawings not to scale. Specifications and improvements in the design of this unit and this manual are subject to change without notice.

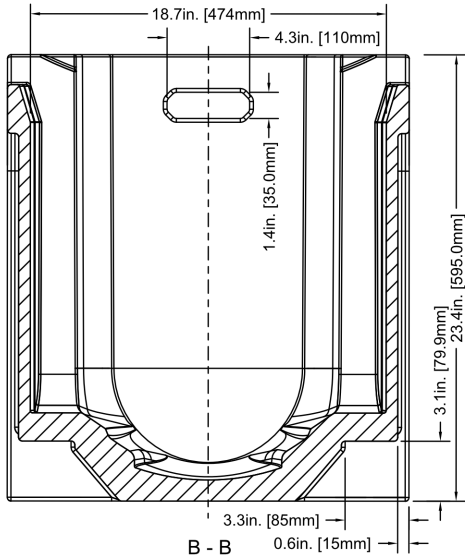


DIMENSIONS

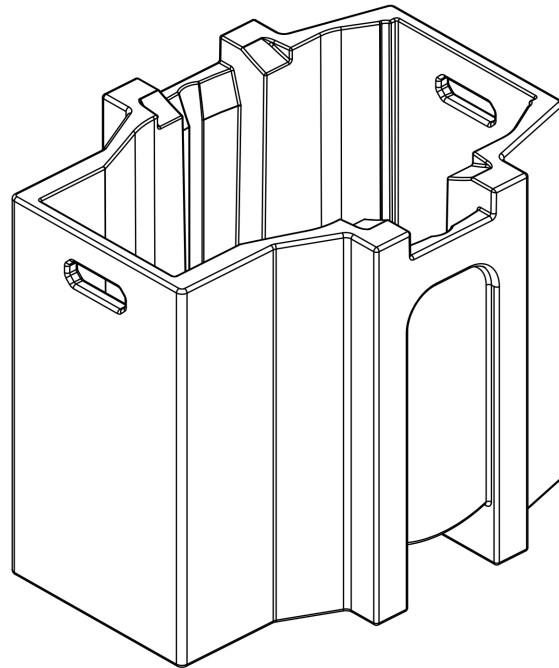
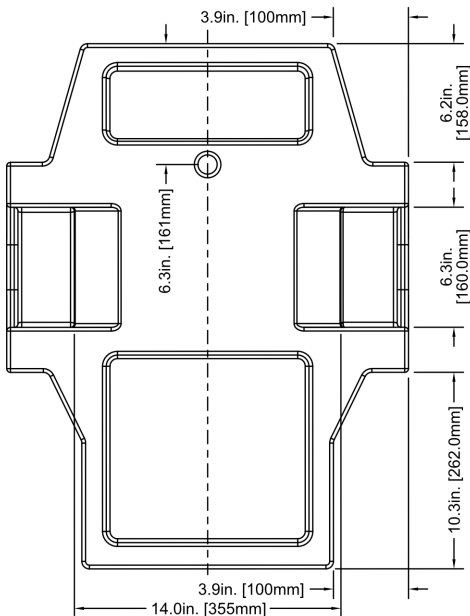
*Drawings not to scale. Specifications and improvements in the design of this unit and this manual are subject to change without notice.



A - A



B - B



OPTIONAL ACCESSORIES

ORDER CODE (US EU)	ITEM
PRB201 Eu 1237000259	Proteus Brutus
PRB323	Proteus Brutus WMG
PRB312	Proteus Brutus WMG HW
TRIGGER CLAMP	Heavy Duty Wrap Around Hook Style Clamp
SIP126	5 ft. (1.5m) IP65 Twist Lock Power Link Cable
AC5PDMX5PRO	5 ft. (1.5m) 5pin PRO DMX Cable
	Additional Cable Lengths Available

FCC STATEMENT

This device complies with Part 15 of the FCC Rules. Operation is subject to the following two conditions: (1) this device may not cause harmful interference, and (2) this device must accept any interference received, including interference that may cause undesired operation.

FCC RADIO FREQUENCY INTERFERENCE WARNINGS & INSTRUCTIONS

This product has been tested and found to comply with the limits as per Part 15 of the FCC Rules. These limits are designed to provide reasonable protection against harmful interference in a residential installation. This device uses and can radiate radio frequency energy and, if not installed and used in accordance with the included instructions, may cause harmful interference to radio communications. However, there is no guarantee that interference will not occur in a particular installation. If this device does cause harmful interference to radio or television reception, which can be determined by turning the device off and on, the user is encouraged to try to correct the interference by one or more of the following methods:

- Reorient or relocate the device.
- Increase the separation between the device and the receiver.
- Connect the device to an electrical outlet on a circuit different from which the radio receiver is connected.
- Consult the dealer or an experienced radio/TV technician for help.

Energy Saving Matters (EuP 2009/125/EC)

Saving electric energy is a key to help protecting the environment. Please turn off all electrical products when they are not in use. To avoid power consumption in idle mode, disconnect all electrical equipment from power when not in use. Thank you!



