



PANEL / PANEL PO
User Manual

©2023 ELATION PROFESSIONAL all rights reserved. Information, specifications, diagrams, images, and instructions herein are subject to change without notice. ELATION PROFESSIONAL logo and identifying product names and numbers herein are trademarks of ELATION PROFESSIONAL. Copyright protection claimed includes all forms and matters of copyrightable materials and information now allowed by statutory or judicial law or hereinafter granted. Product names used in this document may be trademarks or registered trademarks of their respective companies and are hereby acknowledged. All non-ELATION brands and product names are trademarks or registered trademarks of their respective companies.

ELATION PROFESSIONAL and all affiliated companies hereby disclaim any and all liabilities for property, equipment, building, and electrical damages, injuries to any persons, and direct or indirect economic loss associated with the use or reliance of any information contained within this document, and/or as a result of the improper, unsafe, insufficient and negligent assembly, installation, rigging, and operation of this product.

Elation Professional USA | 6122 S. Eastern Ave. | Los Angeles, CA. 90040
323-582-3322 | 323-832-9142 fax | www.elationlighting.com | info@elationlighting.com

Elation Professional B.V. | Junostraat 2 | 6468 EW Kerkrade, The Netherlands
+31 45 546 85 66 | +31 45 546 85 96 fax | www.elationlighting.eu | info@elationlighting.eu

Elation Professional Mexico | AV Santa Ana 30 | Parque Industrial Lerma, Lerma, Mexico 52000
+52 (728) 282-7070

DOCUMENT VERSION



Due to additional product features and/or enhancements, an updated version of this document may be available online. Please scan the QR Code with your mobile device or visit www.elationlighting.com for the latest revision/update of this manual, before installation and/or programming.

| Date | Document Version | Software Version ≥ | DMX Channel Modes | Notes |
|------------|------------------|--------------------|--|--|
| 05/21/2020 | 1.0 | 1.01 | 1 / 4 / 5 / 7 / 10 / 13 / 20 Ch 4 / 12 Ch HSI | Initial release |
| 06/02/2020 | 1.1 | N/C | No change | Updated DMX functions |
| 06/16/2020 | 1.2 | 1.03 | No change | Updated System Menu |
| 10/20/2020 | 1.3 | N/C | No change | Updated Specifications |
| 12/18/2020 | 1.4 | N/C | No change | Updated accessories list |
| 01/26/2021 | 1.5 | N/C | No change | Added Battery Connection |
| 02/26/2021 | 1.6 | N/C | No change | Updated accessories list |
| 06/14/2021 | 1.7 | N/C | No change | Added KL Panel PO information |
| 05/17/2023 | 1.8 | 1.1.3 | No change | Updated General Information, Overview, Installation Guidelines, System Menu, Color Temperature Table, Specifications; added System Configuration, RDM, Fan Modes, Software Updates |
| 10/30/2023 | 1.9 | N/C | No change | Updated Optional Accessories |

CONTENTS

| | |
|---|-----------|
| General Information | 4 |
| Limited Warranty (USA Only) | 5 |
| Safety Guidelines | 6 |
| Maintenance Guidelines | 8 |
| Overview | 9 |
| Installation Guidelines | 10 |
| Accessory Installation | 14 |
| Battery Connections | 18 |
| Remote Device Management (RDM) | 19 |
| System Menu | 20 |
| ArtNet / KlingNet Network Setup | 24 |
| Fan Modes | 25 |
| Manual Mode | 26 |
| DMX Traits | 28 |
| Dimmer Modes | 33 |
| Color Temperature Table | 34 |
| Virtual Color Table | 35 |
| Software Updates | 36 |
| Specifications | 37 |
| Dimensional Drawings | 38 |
| Optional Accessories FCC Statement | 41 |

GENERAL INFORMATION

INTRODUCTION

Please read and understand the instructions in this manual carefully and thoroughly before attempting to operate this device. These instructions contain important safety and use information. **This product is intended to be used by professionally trained personnel only, and is not suitable for private use.**

UNPACKING

Every device has been thoroughly tested and has been shipped in perfect operating condition. Carefully check the shipping carton for damage that may have occurred during shipping. If the carton is damaged, carefully inspect the device for damage, and be sure all accessories necessary to install and operate the device have arrived intact. In the event damage has been found or parts are missing, please contact our customer support team for further instructions. Please do not return this device to your dealer without first contacting customer support. Please do not discard the shipping carton in the trash. Please recycle whenever possible.

BOX CONTENTS

Diffuser
Barn Door Assembly
Junior Pin (1.125in. - 28mm) with Mounting Hardware
Locking Power Cable

CUSTOMER SUPPORT

Contact ELATION Service for any product related service and support needs. Also visit forums.elationlighting.com with questions, comments or suggestions.

ELATION SERVICE USA - Monday - Friday 8:00am to 4:30pm PST
323-582-3322 | Fax 323-832-9142 | support@elationlighting.com

ELATION SERVICE EUROPE - Monday - Friday 08:30 to 17:00 CET
+31 45 546 85 63 | Fax +31 45 546 85 96 | support@elationlighting.eu

REPLACEMENT PARTS please visit parts.elationlighting.com

IMPORTANT NOTICE!

There are no user serviceable parts inside this unit. Do not attempt any repairs yourself, as doing so will void your manufacturer's warranty. Damages resulting from modifications to this fixture and/or the disregard of safety instructions and guidelines in this manual void the manufacturer's warranty and are not subject to any warranty claims and/or repairs.

LIMITED WARRANTY (USA ONLY)

- A. Elation Professional hereby warrants, to the original purchaser, Elation Professional products to be free of manufacturing defects in material and workmanship for a period of two years (730 days), and Elation Professional product rechargeable batteries to be free of manufacturing defects in material and workmanship for a period of six months (180 days), from the original date of purchase. This warranty excludes discharge lamps and all product accessories. This warranty shall be valid only if the product is purchased within the United States of America, including possessions and territories. It is the owner's responsibility to establish the date and place of purchase by acceptable evidence, at the time service is sought.
- B. For warranty service, send the product only to the Elation Professional factory. All shipping charges must be pre-paid. If the requested repairs or service (including parts replacement) are within the terms of this warranty, Elation Professional will pay return shipping charges only to a designated point within the United States. If any product is sent, it must be shipped in its original package and packaging material. No accessories should be shipped with the product. If any accessories are shipped with the product, Elation Professional shall have no liability what so ever for loss and/or damage to any such accessories, nor for the safe return thereof.
- C. This warranty is void if the product serial number and/or labels are altered or removed; if the product is modified in any manner which Elation Professional concludes, after inspection, affects the reliability of the product; if the product has been repaired or serviced by anyone other than the Elation Professional factory unless prior written authorization was issued to purchaser by Elation Professional; if the product is damaged because not properly maintained as set forth in the product instructions, guidelines and/or user manual.
- D. This is not a service contract, and this warranty does not include any maintenance, cleaning or periodic check-up. During the periods as specified above, Elation Professional will replace defective parts at its expense, and will absorb all expenses for warranty service and repair labor by reason of defects in material or workmanship. The sole responsibility of Elation Professional under this warranty shall be limited to the repair of the product, or replacement thereof, including parts, at the sole discretion of Elation Professional. All products covered by this warranty were manufactured after January 1, 1990, and bare identifying marks to that effect.
- E. Elation Professional reserves the right to make changes in design and/or performance improvements upon its products without any obligation to include these changes in any products theretofore manufactured.
- F. No warranty, whether expressed or implied, is given or made with respect to any accessory supplied with the products described above. Except to the extent prohibited by applicable law, all implied warranties made by Elation Professional in connection with this product, including warranties of merchantability or fitness, are limited in duration to the warranty periods set forth above. And no warranties, whether expressed or implied, including warranties of merchantability or fitness, shall apply to this product after said periods have expired. The consumer's and/or dealer's sole remedy shall be such repair or replacement as is expressly provided above; and under no circumstances shall Elation Professional be liable for any loss and/or damage, direct and/or consequential, arising out of the use of, and/or the inability to use, this product.
- G. This warranty is the only written warranty applicable to Elation Professional products and supersedes all prior warranties and written descriptions of warranty terms and conditions heretofore published.

WARRANTY RETURNS

All returned service items whether under warranty or not, must be freight pre-paid and accompany a return authorization (R.A.) number. The R.A. number must be clearly written on the outside of the return package. A brief description of the problem as well as the R.A. number must also be written down on a piece of paper and included in the shipping container. If the unit is under warranty, you must provide a copy of your proof of purchase invoice. Items returned without a R.A. number clearly marked on the outside of the package will be refused and returned at customer's expense. You may obtain a R.A. number by contacting customer support.

SAFETY GUIDELINES

This fixture is a sophisticated piece of electronic equipment. To guarantee a smooth operation, it is important to follow all instructions and guidelines in this manual. Elation Professional is not responsible for injury and/or damages resulting from the misuse of this fixture due to the disregard of the information printed in this manual. Only qualified and/or certified personnel should perform installation of this fixture and only the original rigging parts (omega brackets) included with this fixture should be used for installation. Any modifications to the fixture and/or the included mounting hardware will void the original manufacturer's warranty and increase the risk of damage and/or personal injury.



PROTECTION CLASS 1 - FIXTURE MUST BE PROPERLY GROUNDED



**THERE ARE NO USER SERVICEABLE PARTS INSIDE THIS UNIT.
DO NOT ATTEMPT ANY REPAIRS YOURSELF, AS DOING SO WILL VOID YOUR MANUFACTURER'S WARRANTY. DAMAGES RESULTING FROM MODIFICATIONS TO THIS FIXTURE AND/OR THE DISREGARD OF SAFETY INSTRUCTIONS AND GUIDELINES IN THIS MANUAL VOID THE MANUFACTURER'S WARRANTY AND ARE NOT SUBJECT TO ANY WARRANTY CLAIMS AND/OR REPAIRS.**



**DO NOT PLUG FIXTURE INTO A DIMMER PACK!
NEVER OPEN THIS FIXTURE WHILE IN USE!
UNPLUG POWER BEFORE SERVICING FIXTURE!
NEVER TOUCH FIXTURE DURING OPERATION, AS IT MAY BE HOT!
KEEP FLAMMABLE MATERIALS AWAY FROM FIXTURE!**



**NEVER LOOK DIRECTLY INTO THE LIGHT SOURCE!
RETINA INJURY RISK - MAY INDUCE BLINDNESS!
SENSITIVE PERSONS MAY SUFFER AN EPILEPTIC SHOCK!**



**INDOOR/DRY LOCATIONS ONLY!
DO NOT EXPOSE FIXTURE TO RAIN AND/OR MOISTURE!**

SAFETY GUIDELINES

DONOT TOUCH the fixture housing during operation. Turn **OFF** the power and allow approximately 15 minutes for the fixture to cool down before servicing.

DO NOT shake fixture, and avoid brute force when installing and/or operating fixture.

DO NOT operate fixture if the power cord is frayed, crimped, damaged and/or if any of the power cord connectors are damaged and do not insert into the fixture securely with ease.

NEVER force a power cord connector into the fixture. If the power cord or any of its connectors are damaged, replace it immediately with a new one of the same power rating.

DO NOT block any air ventilation slots.

All fan and air inlets must remain clean and never blocked.

Allow approx. 6" (15cm) between fixture and other devices or a wall for proper cooling.

When installing fixture in a suspended environment, always use mounting hardware that is no less than M10 x 25 mm, and always install fixture with an appropriately rated safety cable.

Always disconnect fixture from main power source before performing any type of service and/or cleaning procedure.

Only handle the power cord by the plug end, and never pull out the plug by tugging the wire portion of the cord.

During the initial operation of this fixture, a light smoke or smell may emit from the interior of the fixture. This is a normal process and is caused by excess paint in the interior of the casing burning off from the heat associated with the lamp and will decrease gradually over time.

Consistent operational breaks will ensure fixture will function properly for many years.

ONLY use the original packaging and materials to transport the fixture for service.

MAINTENANCE GUIDELINES

DISCONNECT POWER BEFORE PERFORMING ANY MAINTENANCE!

CLEANING

Frequent cleaning is recommended to insure proper function, optimized light output, and an extended life. The frequency of cleaning depends on the environment in which the fixture operates: damp, smoky, or particularly dirty environments can cause greater accumulation of dirt on the fixture's optics. Clean the external lens surface periodically with a soft cloth to avoid dirt/debris accumulation. **NEVER use alcohol, solvents, or ammonia-based cleaners.**

MAINTENANCE

Regular inspections are recommended to insure proper function and extended life.

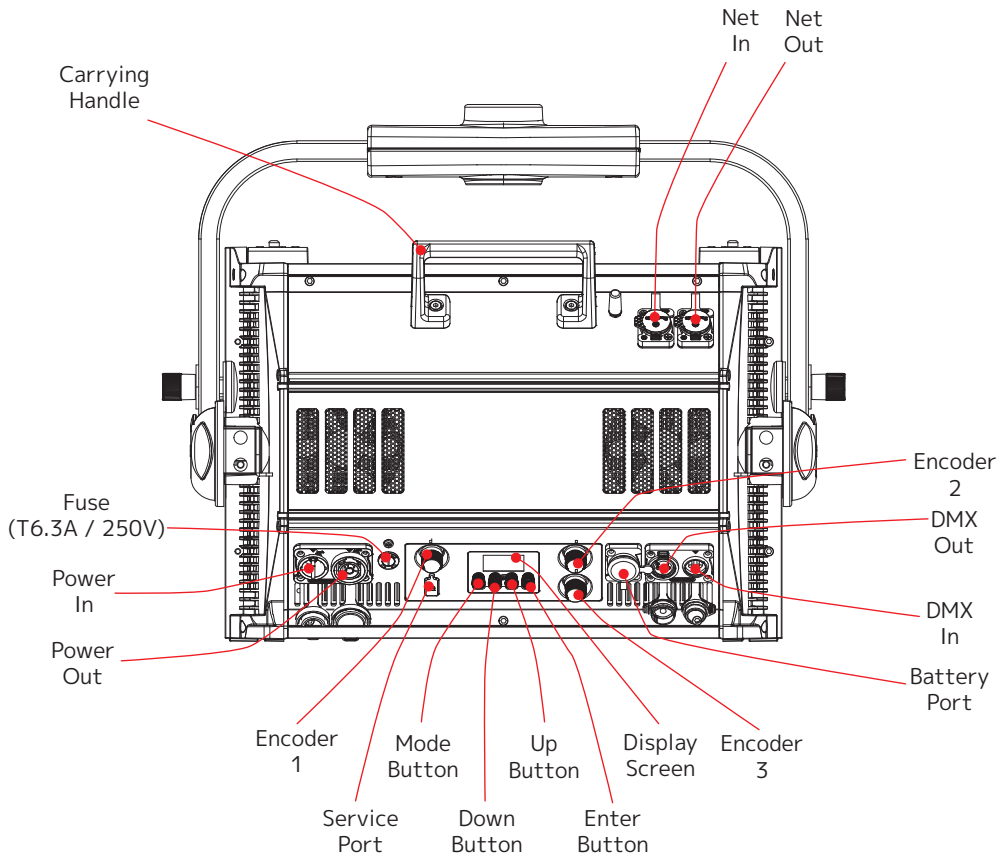
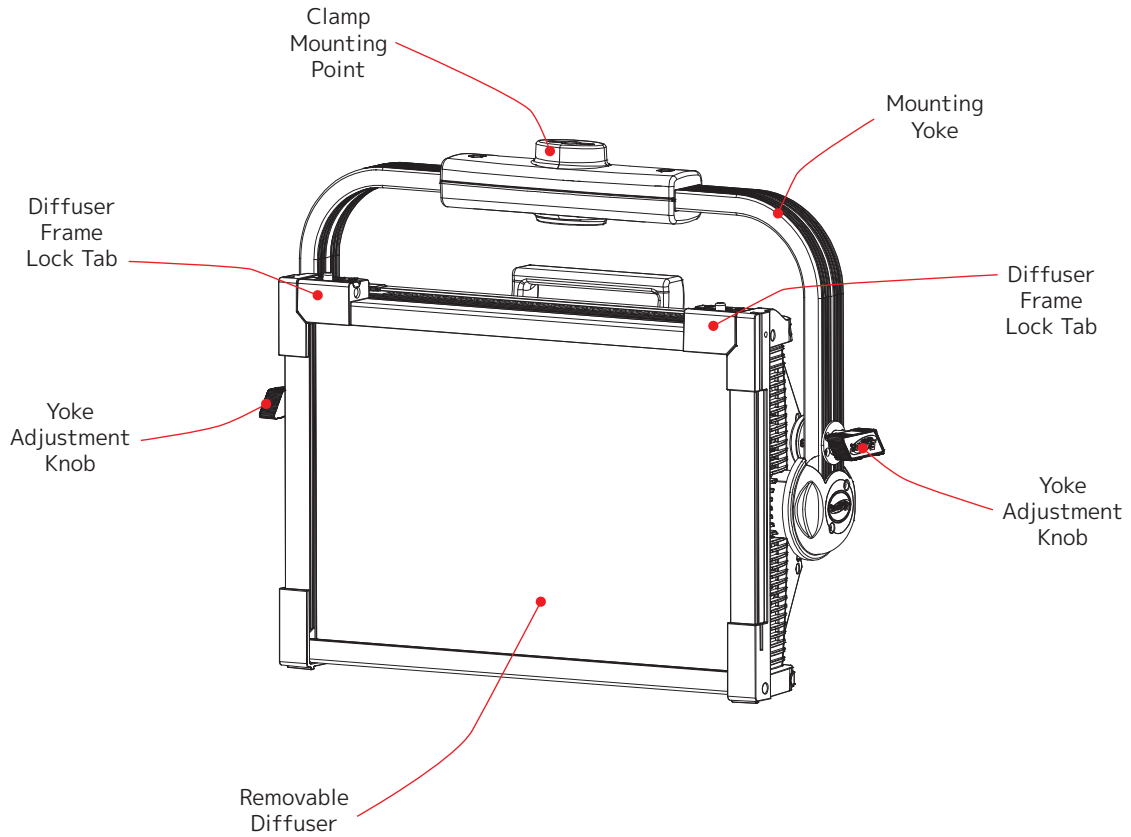
There are no user serviceable parts inside this fixture, please refer all other service issues to an authorized Elation service technician. Should you need any spare parts, please order genuine parts from your local Elation dealer.

Please refer to the following points during routine inspections:

- A detailed electrical check by an approved electrical engineer every three months, to make sure the circuit contacts are in good condition and prevent overheating.
- Be sure all screws and fasteners are securely tightened at all times. Loose screws may fall out during normal operation resulting in damage or injury as larger parts could fall.
- Check for any deformations on the housing, color lenses, rigging hardware, and rigging points (ceiling, suspension, trussing). Deformations in the housing could allow for dust to enter into the fixture. Damaged rigging points or unsecured rigging could cause the fixture to fall and seriously injure a person(s).
- Electric power supply cables must not show any damage, material fatigue or sediments.

NEVER remove the ground prong from the power cable.

OVERVIEW



INSTALLATION INSTRUCTIONS



FLAMMABLE MATERIAL WARNING

Keep fixture minimum 5.0 feet (1.5m) away from flammable materials and/or pyrotechnics.



ELECTRICAL CONNECTIONS

A qualified electrician should be used for all electrical connections and/or installations.



USE CAUTION WHEN POWER LINKING FIXTURES OF OTHER MAKES AND MODEL TYPES, AS THE POWER CONSUMPTION OF OTHER MODEL FIXTURES MAY EXCEED THE MAX POWER OUTPUT ON THIS FIXTURE. CHECK SILK SCREEN FOR MAX AMPS.



DO NOT INSTALL THE FIXTURE IF YOU ARE NOT QUALIFIED TO DO SO!

Fixture **MUST** be installed following all local, national, and country commercial electrical and construction codes and regulations.

Before rigging/mounting a single fixture or multiple interconnected fixtures for custom matrix designs to any metal truss/structure or placing the fixture(s) on any surface, a professional equipment installer **MUST** be consulted to determine if the metal truss/structure or surface is properly certified to safely hold the combined weight of the fixture(s), clamps, cables, and accessories.

Maximum fixture ambient operating temperature **113°F (45°C)**. Do not operate this fixture when ambient temperature exceeds this value.

Fixture(s) should be installed away from walking paths, seating areas, or areas where unauthorized personnel might reach the fixture by hand.

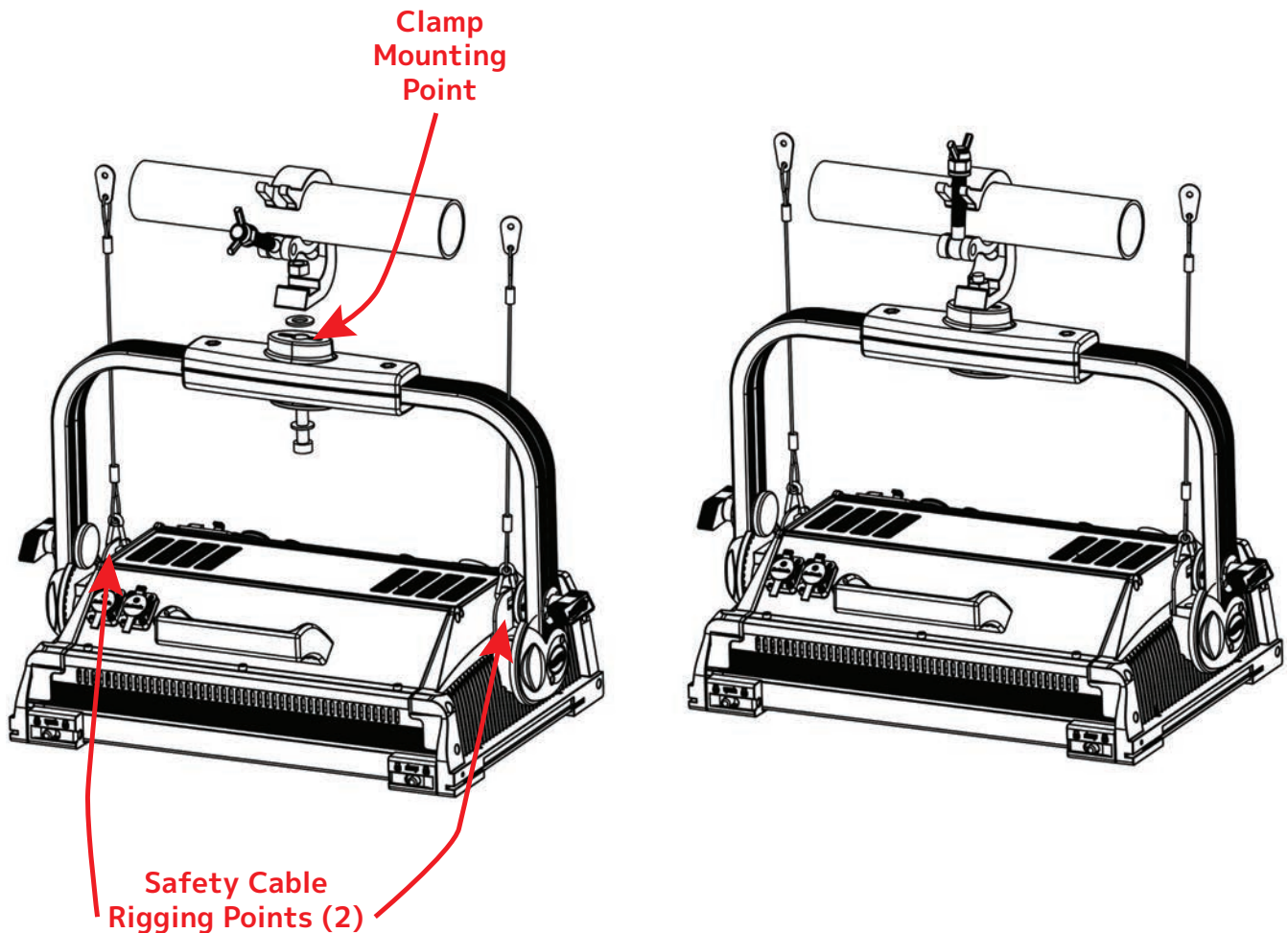
NEVER stand directly below the fixture(s) when rigging, removing or servicing.

Overhead fixture installation must always be secured with a secondary safety attachment, such as an appropriately rated safety cable that meets all local, national, and country codes and regulations. Allow approximately 15 minutes for the fixture to cool down before servicing.

INSTALLATION GUIDELINES

CLAMP INSTALLATION

This fixture includes an adjustable mounting yoke with an integrated clamp mounting point, as well as two (2) safety cable rigging points attached to the body of the fixture (see the illustration below). When mounting this fixture to truss, be sure to secure an appropriately rated clamp (not included) to the clamp mounting point on the yoke, and attach a separate SAFETY CABLE of the appropriate rating to each safety cable rigging point on the fixture.



SAFETY CABLE

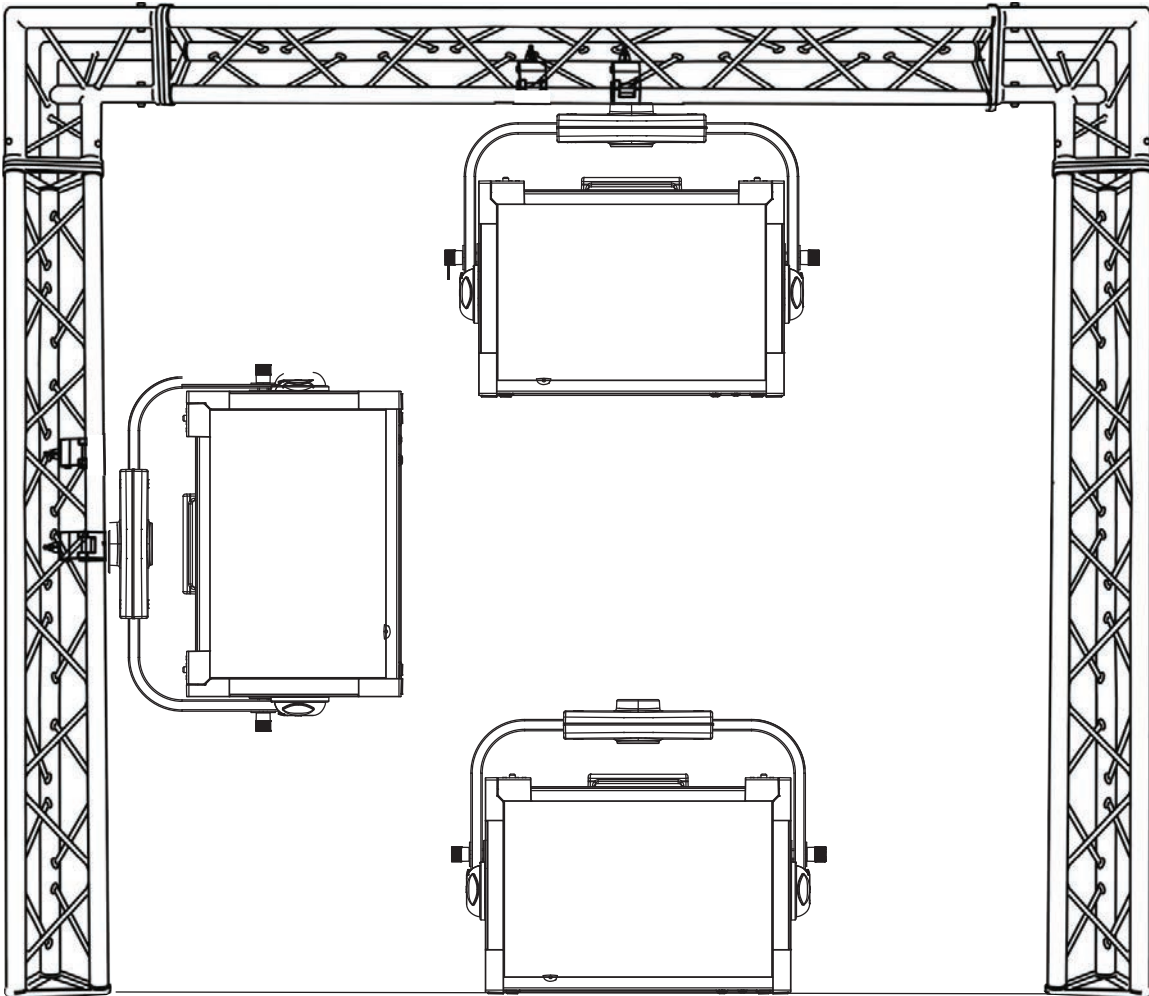
ALWAYS ATTACH A SAFETY CABLE WHENEVER INSTALLING THIS FIXTURE IN A SUSPENDED ENVIRONMENT TO ENSURE THE FIXTURE WILL NOT DROP IF THE CLAMP FAILS. ONLY USE DESIGNATED RIGGING POINTS FOR SAFETY CABLE, AND NEVER ATTACH A SAFETY CABLE TO A CARRYING HANDLE.

INSTALLATION GUIDELINES

RIGGING

Overhead rigging requires extensive experience, including calculating working load limits, understanding the installation material being used, and periodic safety inspection of all installation material and the fixture, among other skills. If you lack these qualifications, do not attempt the installation yourself. Improper installation can result in bodily injury.

The fixture can be mounted hanging upside-down from a truss, suspended vertically on a truss, or mounted upright on a flat, stable surface, as illustrated below.



CAUTION: Falling fixtures can cause severe injury or serious equipment damage! For this reason, fixtures should be installed and inspected only by qualified personnel. Do not install the unit if you lack the qualifications to do so, or if you have doubts about the safety and security of the installation setup or location!



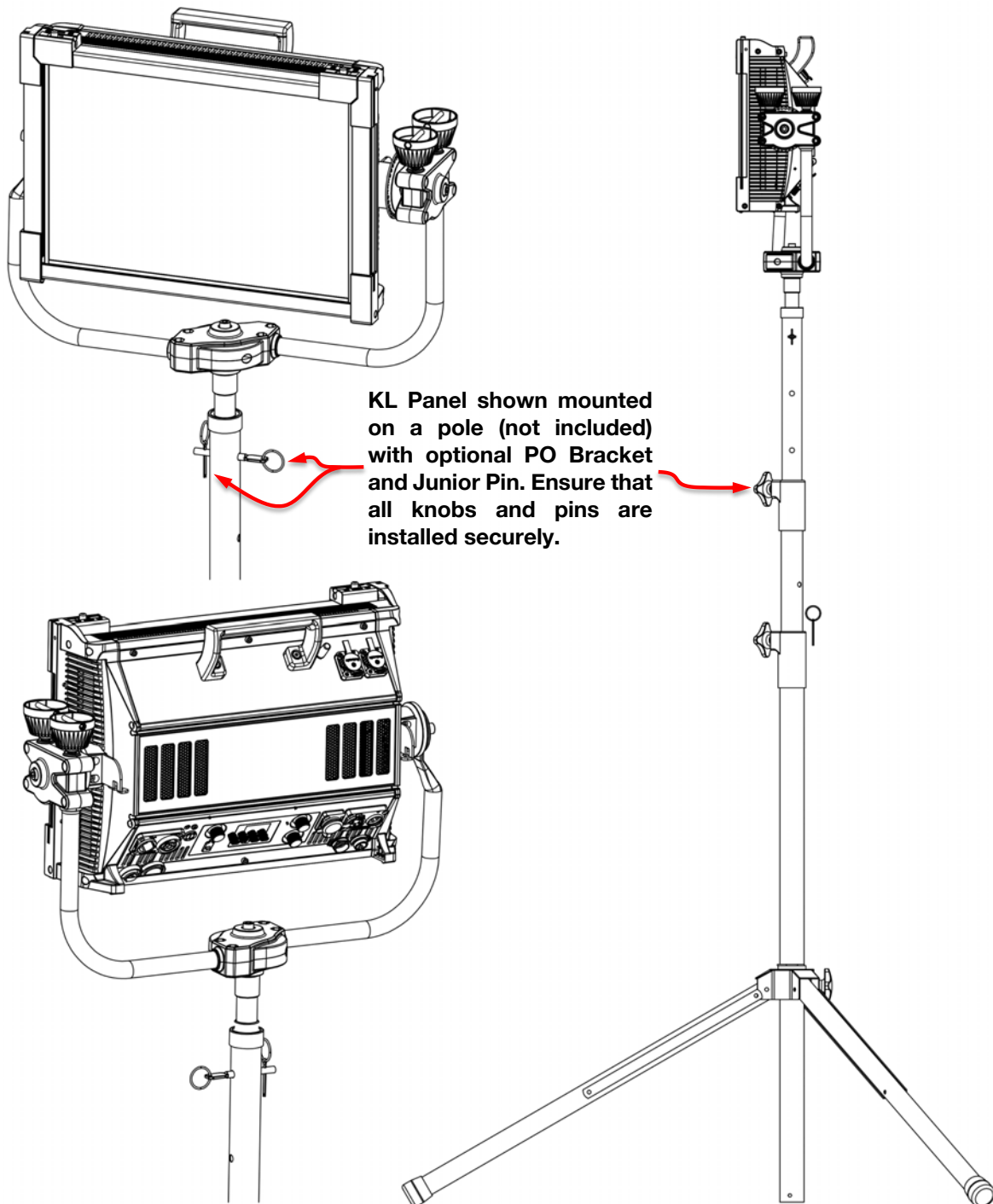
SAFETY CABLE

ALWAYS ATTACH A SAFETY CABLE WHENEVER INSTALLING THIS FIXTURE IN A SUSPENDED ENVIRONMENT TO ENSURE THE FIXTURE WILL NOT DROP IF THE CLAMP FAILS. ONLY USE DESIGNATED RIGGING POINTS FOR SAFETY CABLE, AND NEVER ATTACH A SAFETY CABLE TO A CARRYING HANDLE.

INSTALLATION GUIDELINES

KL PANEL PO BRACKET MOUNTED TO POLE WITH JUNIOR PIN

This fixture is capable of being installed on a tripod stand. **Please note that this ability applies only to the KL Panel PO**, and that the standard KL Panel cannot be installed in this manner. Refer to the **Accessory Installation** section of this manual for details regarding the installation of the Junior Pin.

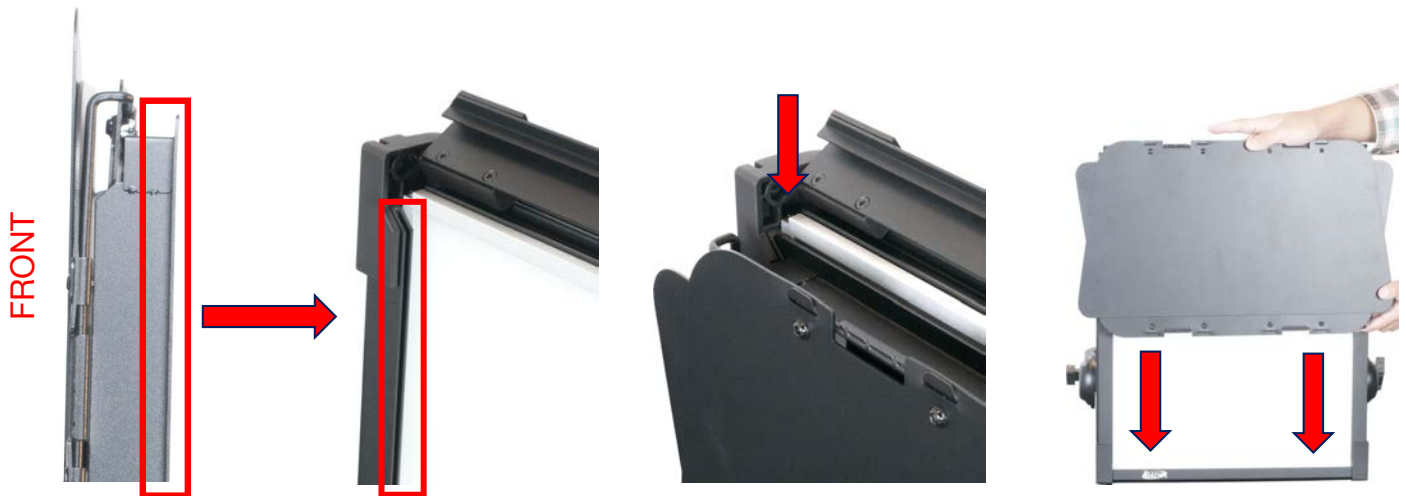


ACCESSORY INSTALLATION

BARN DOOR



1. Unlock both diffuser frame lock tabs using the latches located on each tab. Flip the top edge of the frame upward.



2. The inner frame of the fixture contains an empty mounting slot located just in front of the removable diffuser. Align the mounting rail on the rear of the barn door with this empty mounting slot, and slowly lower the barn door into place.

ACCESSORY INSTALLATION

BARN DOOR



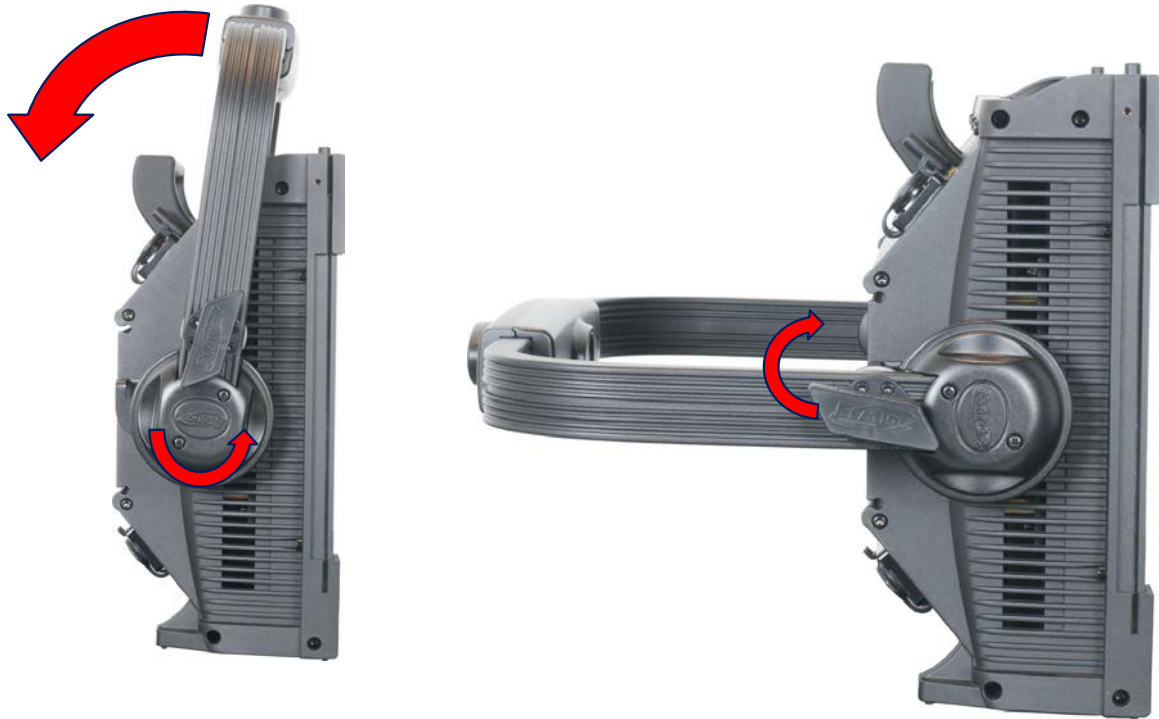
3. Flip the top edge of the frame downwards and engage the lock tabs.



4. Flip the four (4) barndoor segments outward. Note that the left and right barndoor segments can be expanded by pulling upwards or downwards on the thumb tabs.

ACCESSORY INSTALLATION

JUNIOR PIN



1. Loosen the yoke adjustment knobs and adjust the mounting yoke to a position that allows access to both the top and bottom sides of the yoke. Re-tighten the yoke adjustment knobs to lock the yoke in position.



2. Locate the notched face of the junior pin and hold it against the clamp mounting point located on the top side of the yoke. **The notched surface of the junior pin must sit flush against the matching groove on the surface of the clamp mounting point.**

ACCESSORY INSTALLATION

JUNIOR PIN



3. Thread the junior pin bolt in through the underside of the mounting yoke, making sure that the bolt engages the threaded hole in the junior pin. Tighten securely with a 10mm hex key. The junior pin is now ready for attachment to a clamp or stand.

BATTERY CONNECTION

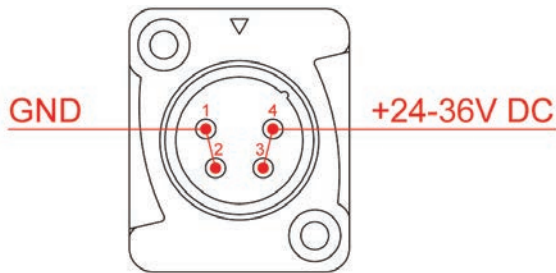
The KL Panel can receive power from a battery pack.

NOTICE: The user is responsible for ensuring compatibility between the device and the battery pack. Always ensure that the output specifications, operating conditions, and connection pinouts of the battery pack match the device requirements.

The device features a 4-pin XLR connector for battery power. The connector is located on the back of the device, next to the DMX In/Out connectors, and is covered with a dust cap.

BE CAREFUL NOT TO CONNECT BATTERY POWER TO ONE OF THE DMX CONNECTORS BY MISTAKE!

The pinout is illustrated below:



| Pin | Assignment |
|-----|------------|
| 1 | GND |
| 2 | |
| 3 | +24-36V DC |
| 4 | |

Consult the **Safety Guidelines** section of this user manual, as well as any safety instructions included with your battery pack before use or installation.

The KL Panel consumes 300W when operating all LEDs at full output, which may require significant battery output to provide the required power. To extend the battery life, it is possible to reduce the LED power down to 50% of maximum output using the "LED Power Limit" menu in the Personality section of the system menu. Please refer to the **System Menu** section of this manual for detailed information.

REMOTE DEVICE MANAGEMENT (RDM)

NOTE: In order for RDM to work properly, RDM enabled equipment must be used throughout the entire system, including DMX data splitters and wireless systems.

Remote Device Management (RDM) is a protocol that sits on top of the DMX512 data standard for lighting, allowing the DMX systems of the device to be managed, modified, and monitored remotely (hence, remote device management). This protocol is ideal for fixtures installed in locations that are not easily accessible.

With RDM, the DMX512 system becomes bi-directional, allowing a compatible RDM enabled controller to send out a signal to devices on the wire, as well as allowing the fixture to respond (known as a GET command). The controller can then use it's SET command to modify settings that would typically have to be changed or viewed directly via the unit's display screen, including the DMX Address, DMX Channel Mode, and Temperature Sensors.

FIXTURE RDM INFORMATION:

| RDM Code | Device ID | Device Model ID | Personality ID |
|----------|-----------|-----------------|---|
| 22A6 | 0003 | 0003 | 001 (1Ch Dimmer), 002 (4Ch Dimmer Color), 003 (7Ch Dimmer Color), 004 (6Ch RGBWLC), 005 (12Ch RGBWLC 16bit), 006 (14Ch Standard), 007 (23Ch Extended), 008 (4Ch HSI), 009 (12Ch HSI Extended) |

Please be aware that not all RDM devices support all RDM features, and therefore it is important to check beforehand to ensure that the equipment that you are considering includes all of the features that you require.

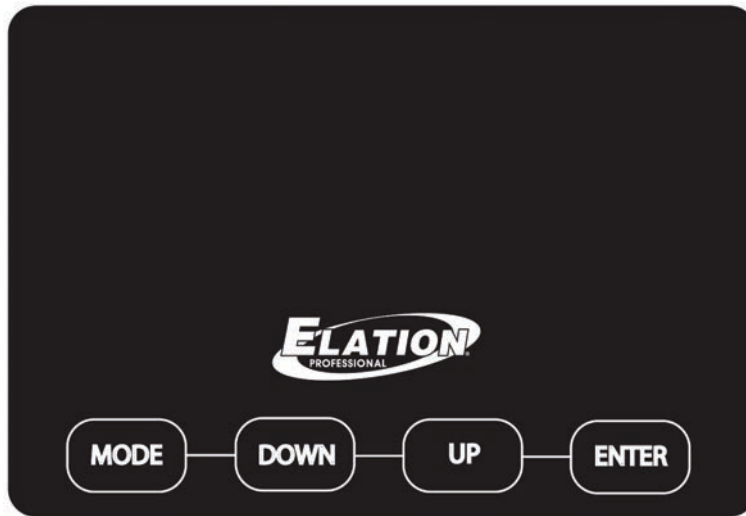
The following parameters are accessible in RDM on this device:

| | |
|--------------------------------------|--------------------------------------|
| [0x0011] Proxied Device Count | [0x0405] Device Power Cycles |
| [0x0200] Sensor Definition | [0x0600] Pan Invert |
| [0x0201] Sensor Value | [0x0601] Tilt Invert |
| [0x0080] Device Model Description | [0x0602] Pan Tilt Swap |
| [0x0081] Manufacturer Label | [0x0500] Display Invert |
| [0x0082] Device Label | [0x0501] Display Level |
| [0x00E0] DMX Personality | [0x0603] Real Time Clock |
| [0x00E1] DMX Personality Description | [0x1010] Power State |
| [0x0400] Device Hours | [0x1031] Preset Playback |
| [0x0015] Comms Status | [0x0122] Default Slot Value |
| [0x0031] Status ID Description | [0x00B0] Language |
| [0x0032] Clear Status ID | [0x00A0] Language Capabilities |
| [0x0401] Lamp Hours | [0x00C2] Boot Software Version Label |
| [0x0402] Lamp Strikes | [0x00C1] Boot Software Version ID |
| [0x0403] Lamp State | [0x0070] Product Detail ID List |
| [0x0404] Lamp On Mode | [0x0030] Status Messages |

SYSTEM MENU

The fixture includes an easy to navigate system menu. The control panel (see image below) located on the back of the fixture provides access to the main system menu, where all necessary system adjustments are made. During normal operation, pressing MODE button once will access the fixture's main menu. Once in the main menu you can navigate through the different functions and access the sub-menus with the UP and DOWN buttons. Once you reach a field that requires adjusting, press the ENTER button to activate that field and use the UP and DOWN buttons to adjust the field. Pressing the ENTER button once more will confirm your setting. You may exit the main menu at any time without making any adjustments by pressing the MODE button.

The display screen can be locked by selecting PERSONALITY > DISPLAY > SCREEN LOCK. To unlock the display screen, simply press and hold the MODE button for three (3) seconds.



SERVICE PORT

This device features a service port on the control panel that can be used to perform software updates. Please refer to the **Software Updates** section of this manual for detailed information.

SYSTEM MENU

| Elation KL Panel / KL Panel PO System Menu | | | | | |
|--|----------------|----------------------|---|---|------------------|
| Supports Software Versions: ≥ 1.03 | | | | | |
| MANUAL MODE | Disabled | | See Manual Mode section of this manual for details | | |
| | Int CCT Grn | | | | |
| | HSI | | | | |
| | Int Color Sat | | | | |
| | Manual Control | | | | |
| DMX SETTINGS | DMX Address | 001 - 512 | | Set DMX starting address | |
| | DMX Mode | 1-Ch Dimmer | | Select DMX channel mode | |
| | | 4-Ch Dimmer Color | | | |
| | | 7-Ch Dimmer Color FX | | | |
| | | 6-Ch RGBWLC | | | |
| | | 12-Ch RGBWLC 16-Bit | | | |
| | | 14-Ch Standard | | | |
| | | 23-Ch Extended | | | |
| | | 4-Ch HSI | | | |
| | No DMX Status | 12-Ch HSI Extended | | Define how fixture will behave when DMX signal is lost or interrupted | |
| Hold Last | | | | | |
| Fade to Black | | | | | |
| STANDALONE | Standalone | | Dimmer adjustment | | |
| | Dimmer | 0% - 100% | | | |
| | CCT | 2000K - 10000K | | | |
| | Green Shift | -100% ~ +100% | | | |
| | Virtual Color | Color01 | | Color selection; see Color Table section of this manual | |
| | | Color02 | | | |
| | | ... | | | |
| Color60 | | | | | |
| PERSONALITY | Primary | On / Off | | Set unit as a primary unit | |
| | Secondary | On / Off | | Set unit as a secondary unit | |
| | Select Signal | DMX or E-Fly | | Select signal source | |
| | | E-Fly and DMX Out | | | |
| | Dim Mode | Standard | | Select dim mode and dim speed | |
| | | Stage | | | |
| | | TV | | | |
| | | Architectural | | | |
| | | Theatre | | | |
| | | Stage 2 | | | |
| | Dim Curves | Dim Speed | 0.0s - 10.0s | | Select dim curve |
| | | Linear | | | |
| | | Square | | | |
| | | Square Inverse | | | |
| E-Fly Setting | S-Curve | | Select E-Fly channel | | |
| | Set Channel | 00 - 14 | | | |
| | Enable E-Fly | Yes / No | | | |
| CONTINUED ON NEXT PAGE | | | | | |

SYSTEM MENU

Elation KL Panel / KL Panel PO System Menu

Supports Software Version: ≥ 1.03

| | | | | |
|----------------------------|------------------|---------------------|--|--|
| PERSONALITY (continued) | LED Refresh Rate | 900 - 1500 Hz | | Select LED refresh rate |
| | | 2500 Hz | | |
| | | 4000 Hz | | |
| | | 5000 Hz | | |
| | | 6000 Hz | | |
| | | 10 KHz | | |
| | | 15 KHz | | |
| | | 20 KHz | | |
| | | 25 KHz | | |
| | LED Power Limit | 50% | | Select limit for LED power output as a percentage of the max output |
| | | 60% | | |
| | | 70% | | |
| | | 80% | | |
| | | 90% | | |
| | | 100% | | |
| | Fan Mode | Auto | | Select fan mode |
| | | Silent | | |
| | | High | | |
| | Display | Screen Delay | 3s - 10s | Set period of inactivity after which screen will lock |
| | | Screen Lock | On / Off | Enable or disable screen lock feature; to unlock screen, press and hold Mode Button for 3 seconds |
| | | Rotate Display 180° | Yes | Invert display |
| | | | No | Standard display orientation |
| | | Auto | Automatically flip display to maintain upright orientation | |
| | Network | Switch | On / Off | Turn network switch on or off |
| | | Univers | 000 - 255 | Set universe |
| | | IP | xxx.xxx.xxx.xxx | Set IP address |
| | | Subnet | xxx.xxx.xxx.xxx | Set sub net |
| | | Protocol | Artnet sACN | Set operating protocol |
| Service Passcode = 050 | Calibration | Red: 050 - 255 | Calibrate individual colors | |
| | | Green: 050 - 255 | | |
| | | Blue: 050 - 255 | | |
| | | Lime: 050 - 255 | | |
| | | White: 050 - 255 | | |
| | | Cyan: 050 - 255 | | |
| | Update Software | Yes / No | Update unit software | |
| | Factory Restore | Yes / No | Return unit to factory settings | |
| Edit RDIM UID | | Edit RDIM UID | | |

CONTINUED ON NEXT PAGE

SYSTEM MENU

| Elation KL Panel / KL Panel PO System Menu | | | |
|--|----------------------------------|---|---|
| Supports Software Version: ≥ 1.03 | | | |
| INFORMATION | Life Time | Lifetime fixture run time | |
| | Last Run Time | Fixture run time since last reset | |
| | Time Reset Passcode = 038 | Reset Last Run Time | |
| | Temperatures | Current | Current measured temperature |
| | | Max Resettable | Maximum recorded temperature since last reset |
| | | Max Unresettable | Lifetime maximum recorded temperature |
| | | Reset (Passcode = 038) | Reset Max Resettable temperature |
| | DMX Values | Display current value of each DMX channel | |
| | Product IDs | Mac Address | Product ID |
| | | RDM UID | |
| | Error Logs | List fixture errors one by one | |
| Reset Error Log Passcode = 050 | Yes / No | Reset error log | |
| Software Version | Display current software version | | |

NETWORK SET UP

The KL Panel / KL Panel PO can be configured to operate using ArtNet or sACN protocol by following the steps below:

1. Use an RJ45 cable to link the output of your controller to the “Net In” port of the first KL Panel / KL Panel PO fixture that you wish to control. Then link the “Net Out” port of this fixture to the “Net In” port of the next fixture in line.
2. Continue in this manner until all your fixtures are linked together via their “Net In” and “Net Out” ports, as shown below.



3. Power on the first KL Panel / KL Panel PO unit, and use the control panel and display screen to navigate to Personality > Network in the main menu.
4. Select the “Switch” option and set it to “On” to enable ArtNet / sACN network operation.
5. Go back to the Network sub menu, and use the “IP” option to set the IP address for this fixture. Make sure that both the controller and the fixture are in the same IP address range to ensure that they can communicate with each other.
6. Go back to the Network sub menu, and use the “Subnet” options to set the subnet mask for the unit. Typically, this can be set to “255.255.255.0” to indicate that the first three numbers of the IP address must match in order for the devices to communicate.
7. Go back to the Network sub menu, select the “Protocol” option, and set whether the unit will run on ArtNet or sACN protocol.
8. Finally, go back to the Network sub menu, select the “Univers” option, and set the universe number that the unit will listen for.
9. Repeat steps 3 to 7 for each KL Panel / KL Panel PO unit that has been connected.
10. Power on your controller. You should now be able to control your connected network of KL Panel / KL Panel PO units using ArtNet or sACN protocol. Be sure to test that the system works as intended.

FAN MODES

The KL Panel / KL Panel PO is a high-performance fixture suited for multiple applications. For noise critical environments such as Theater, Opera or Orchestra Halls, it offers various fan operation modes which remove any distraction for the audience and performers. Fan Modes can be changed remotely via the DMX control channel, allowing the fixture to offer high output or whisper silent operation at a moment's notice. All Fan Modes smoothly transition over a brief time, preventing unwanted attraction to the fixture.

| Mode | dbA at 1m LED off | dbA at 1m Dimmer 100% |
|------------------------------|-------------------|-----------------------|
| Fan Control - Auto (Default) | 39 | 46 |
| Fan Control - High | 50 | 59 |
| Low Noise – Silent | 32 | 33 |

Auto (Default)—Fans only run at the speeds needed to keep the LED engine within a safe temperature range and ensures optimal performance of the fixture. If possible, they will turn-off, for example, when the fixture is dimmed to a low intensity. Fans sense the ambient and fixture temperature, and will always try to keep noise levels to a minimum. The fixture output will only reduce when the LED engine cannot be cooled down to its safe operating range due to high ambient temperature.

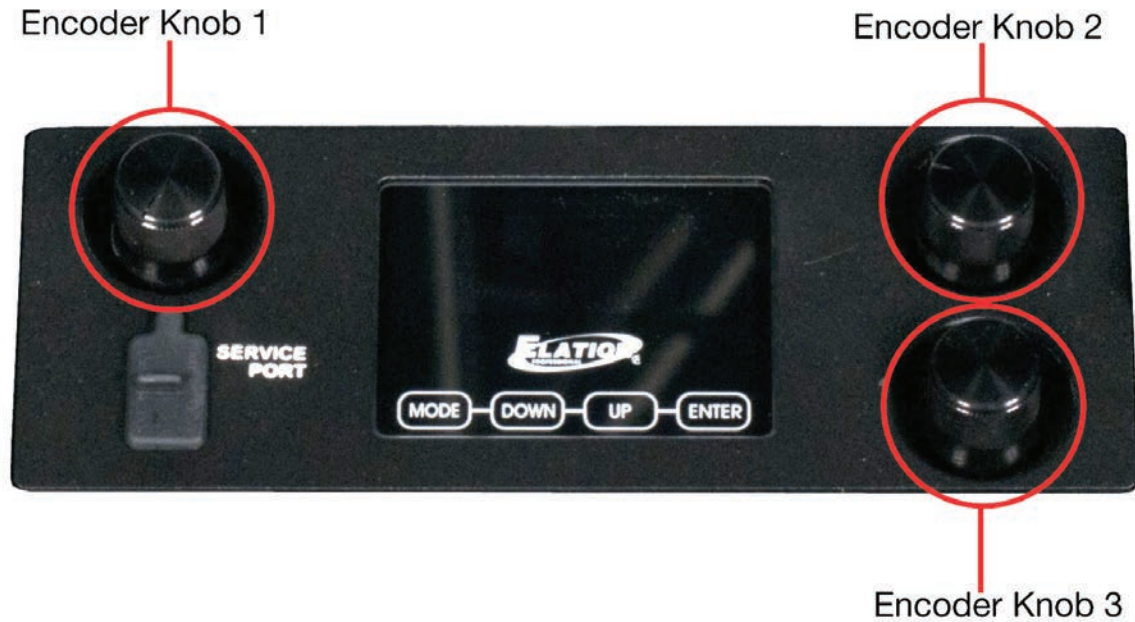
NOTE: Recommended for daily operation.

High—Fan speeds are increased throughout for the most efficient cooling of the fixture. This mode will increase wear on the fans and should only be utilized in exceptional circumstances. Fans will always run, even if the fixture is dimmed down. Fixture output is kept at 100% unless the LED engine temperature reaches an unsafe temperature at which point the fixture will reduce power carefully to ensure continued safe operation. This mode is only required in very high ambient temperatures when automatic fan speed adjustments are not desired.

Silent—For very critical noise environments, the fixture offers two additional Low Noise Modes for silent operation. The fixture output will be reduced, however due to the extremely high luminous flux the fixture still offers outstanding performance. In Low Noise Modes all parameters of the fixture operate quieter with reduced fan speeds. Almost all fixture fans are turned off, and only run when necessary. The fixture LED power output is reduced to 50%.

MANUAL MODE

ENCODER KNOB DESIGNATIONS



INT CCT GRN (INTENSITY, COLOR TEMPERATURE, GREEN SHIFT)

| Elation KL Panel / KL Panel PO Manual Mode - Int CCT Grn | | | | |
|--|-------------------|---------------------|------------------|---------|
| Supports Software Versions: 1.03 | | | | |
| Encoder Knob | Parameter | Display | Resolution/Steps | Default |
| 1 | Intensity | Intensity 0% - 100% | 1% | 0% |
| 2 | Color Temperature | CCT 2000K - 10000K | 100K | 6000K |
| 3 | Green Shift | GRN -100% to +100% | 1% | Neutral |

HSI (HUE, SATURATION, INTENSITY)

| Elation KL Panel / KL Panel PO Manual Mode - HSI | | | | |
|--|------------|---------------------|------------------|---------|
| Supports Software Versions: 1.03 | | | | |
| Encoder Knob | Parameter | Display | Resolution/Steps | Default |
| 1 | Intensity | Intensity 0% - 100% | 1% | 0% |
| 2 | Hue | Hue 0° - 360° | 1° | 0° |
| 3 | Saturation | Sat 0% - 100% | 1% | Neutral |

MANUAL MODE

INT COL SAT (INTENSITY, COLOR, SATURATION)

| Elation KL Panel / KL Panel PO Manual Mode - Int Col Sat | | | | |
|--|------------|------------------------------------|------------------|---------|
| Supports Software Versions: 1.03 | | | | |
| Encoder Knob | Parameter | Display | Resolution/Steps | Default |
| 1 | Intensity | Intensity 0% - 100% | 1% | 0% |
| 2 | Color | White, Virtual Color 1, 2, 3, 4... | Single Color | White |
| 3 | Saturation | Sat 0% to 100% | 1% | 100% |

MANUAL

| Elation KL Panel / KL Panel PO Manual Mode - Manual | | | | |
|---|--------------------|------------------------|---|---------|
| Supports Software Versions: 1.03 | | | | |
| Encoder Knob | Parameter | Display | Resolution/Steps | Default |
| 1 | Intensity | Intensity 0% - 100% | 1% | 0% |
| 2 | Setting Adjustment | [Setting Name] 0 - 255 | 1 | 0 |
| 3 | Setting Selection | [Setting Name] 0 - 255 | Strobe / Red / Green / Blue / White / Lime / Cyan | Strobe |

DMX TRAITS

| CHANNEL | | | | | | | | | DMX VALUES | FUNCTION | DEF. | SNAP |
|-----------|-----------------|--------------------|-------------|--------------------|----------|----------|---------|--------------|------------|--|------|------|
| 1Ch Dimm. | 4Ch Dimm. Color | 7Ch Dimm. Color FX | 6Ch RGB-WLC | 12Ch RGB-WLC 16bit | 14Ch Std | 23Ch Ext | 4Ch HSI | 12Ch HSI Ext | | | | |
| | | | 1 | 1 | 4 | 4 | | | 000 - 255 | Red, 0% to 100% | 0 | |
| | | | | 2 | | 5 | | | 000 - 255 | Red Fine | 0 | |
| | | | 2 | 3 | 5 | 6 | | | 000 - 255 | Green, 0% to 100% | 0 | |
| | | | | 4 | | 7 | | | 000 - 255 | Green Fine | 0 | |
| | | | 3 | 5 | 6 | 8 | | | 000 - 255 | Blue, 0% to 100% | 0 | |
| | | | | 6 | | 9 | | | 000 - 255 | Blue Fine | 0 | |
| | | | 4 | 7 | | 10 | | | 000 - 255 | White, 0% to 100% | 0 | |
| | | | | 8 | | 11 | | | 000 - 255 | White Fine | 0 | |
| | | | 5 | 9 | | 12 | | | 000 - 255 | Lime, 0% to 100% | 0 | |
| | | | | 10 | | 13 | | | 000 - 255 | Lime Fine | 0 | |
| | | | 6 | 11 | | 14 | | | 000 - 255 | Cyan, 0% to 100% | 0 | |
| | | | | 12 | | 15 | | | 000 - 255 | Cyan Fine | 0 | |
| | | | | | | | | | | Strobe | | |
| | | | | | | | | | 000 - 031 | Shutter Closed | | |
| | | | | | | | | | 032 - 063 | No Function (Shutter Open) | | |
| | | | | | | | | | 064 - 095 | Strobe Effect, slow to fast | | |
| | | | | | 1 | 1 | | 1 | 096 - 127 | No Function (Shutter Open) | 50 | Snap |
| | | | | | | | | | 128 - 159 | Pulse Effect in Sequences | | |
| | | | | | | | | | 160 - 191 | No Function (Shutter Open) | | |
| | | | | | | | | | 192 - 223 | Random Strobe Effect, slow to fast | | |
| | | | | | | | | | 224 - 255 | No Function (Shutter Open) | | |
| 1 | 1 | 1 | | | 2 | 2 | 1 | 2 | 000 - 255 | Dimmer Intensity, 0% to 100% | 0 | |
| | 2 | 2 | | | 3 | 3 | 2 | 3 | 000 - 255 | Dimmer Fine | 0 | |
| | | | | | | | 3 | 4 | 000 - 255 | Hue, 0% to 100% | 255 | |
| | | | | | | | 4 | 5 | 000 - 255 | Saturation, 0% to 100% | 255 | |
| | | | | | | | | | | CCT | | |
| | | | | | | | | | 000 - 019 | Open | | |
| | 3 | 3 | | | 7 | 16 | | 6 | 020 - 100 | CCT 2000K - 10000K (see Color Temperature Table section of this manual) | 0 | |
| | | | | | | | | | 101 - 255 | 10000K | | |
| | | | | | | | | | | Green Shift | | |
| | | | | | | | | | 000 | Idle | | |
| | | | | | 8 | 17 | | | 001 - 127 | Full Minus Green to Neutral | 0 | |
| | | | | | | | | | 128 | Neutral White | | |
| | | | | | | | | | 129 - 255 | Neutral to Full Plus Green | | |

CONTINUED ON NEXT PAGE

DMX TRAITS

| CHANNEL | | | | | | | | | DMX VALUES | FUNCTION | DEF. | SNAP |
|-----------|-----------------|--------------------|-------------|--------------------|----------|----------|---------|--------------|------------|--|------|------|
| 1Ch Dimm. | 4Ch Dimm. Color | 7Ch Dimm. Color FX | 6Ch RGB-WLC | 12Ch RGB-WLC 16bit | 14Ch Std | 23Ch Ext | 4Ch HSI | 12Ch HSI Ext | | | | |
| | 4 | 4 | | | 9 | 18 | | 7 | | Color Wheel | 0 | |
| | | | | | | | | | 000 | Open | | |
| | | | | | | | | | 001 - 179 | Virtual Swatch Book (see Virtual Colors Table section of this manual) | | |
| | | | | | | | | | 180 - 201 | Clockwise Color Scroll, fast to slow | | |
| | | | | | | | | | 202 - 207 | Stop | | |
| | | | | | | | | | 208 - 229 | Counter-Clockwise Color Scroll, slow to fast | | |
| | | | | | | | | | 230 - 234 | Open | | |
| | | | | | | | | | 235 - 239 | Random Color Scroll, fast | | |
| | | | | | | | | | 240 - 244 | Random Color Scroll, medium | | |
| | | | | | | | | | 245 - 249 | Random Color Scroll, slow | | |
| | | | | | | | | | 250 - 255 | Open | | |
| | | | | | 10 | 19 | | 8 | | Dim Modes | 0 | Snap |
| | | | | | | | | | 000 - 020 | Standard | | |
| | | | | | | | | | 021 - 040 | Stage | | |
| | | | | | | | | | 041 - 060 | TV | | |
| | | | | | | | | | 061 - 080 | Architectural | | |
| | | | | | | | | | 081 - 100 | Stage 2 | | |
| | | | | | | | | | | Dimmer Delay Time | | |
| | | | | | | | | | 121 | 0s | | |
| | | | | | | | | | 122 | 0.1s | | |
| | | | | | | | | | 123 | 0.2s | | |
| | | | | | | | | | 124 | 0.3s | | |
| | | | | | | | | | 125 | 0.4s | | |
| | | | | | | | | | 126 | 0.5s | | |
| | | | | | | | | | 127 | 0.6s | | |
| | | | | | | | | | 128 | 0.7s | | |
| | | | | | | | | | 129 | 0.8s | | |
| | | | | | | | | | 130 | 0.9s | | |
| | | | | | | | | | 131 | 1.0s | | |
| | | | | | | | | | 132 | 1.5s | | |
| | | | | | | | | | 133 | 2.0s | | |
| | | | | | | | | | 134 | 3.0s | | |
| | | | | | | | | | 135 | 4.0s | | |
| | | | | | | | | | 136 | 5.0s | | |
| | | | | | | | | | 137 | 6.0s | | |
| | | | | | | | | | 138 | 7.0s | | |
| | | | | | | | | | 139 | 8.0s | | |

CONTINUED ON NEXT PAGE

DMX TRAITS

| CHANNEL | | | | | | | | | DMX VALUES | FUNCTION | DEF. | SNAP |
|-----------|-----------------|--------------------|-------------|--------------------|----------|----------|---------|--------------|------------|--------------------------------------|------|------|
| 1Ch Dimm. | 4Ch Dimm. Color | 7Ch Dimm. Color FX | 6Ch RGB-WLC | 12Ch RGB-WLC 16bit | 14Ch Std | 23Ch Ext | 4Ch HSI | 12Ch HSI Ext | | | | |
| | | | | | 10 | 19 | | 8 | | Dimmer Delay Time (continued) | 0 | Snap |
| | | | | | | | | | 140 | 9.0s | | |
| | | | | | | | | | 141 | 10.0s | | |
| | | | | | | | | | 142 - 255 | Idle | | |
| | | | | | | | | | | Control | 0 | Snap |
| | | | | | | | | | 000 - 029 | Idle | | |
| | | | | | | | | | 030 - 039 | Fan Mode Auto | | |
| | | | | | | | | | 040 - 049 | Fan Mode Silent | | |
| | | | | | | | | | 050 - 059 | Fan Mode High | | |
| | | | | | | | | | 060 - 079 | Idle | | |
| | | | | | | | | | 080 - 084 | Reset | | |
| | | | | | | | | | 085 - 099 | Idle | | |
| | | | | | | | | | | Refresh Rate (Hz) | | |
| | | | | | | | | | 100 | 900 | | |
| | | | | | | | | | 101 | 910 | | |
| | | | | | | | | | 102 | 920 | | |
| | | | | | | | | | 103 | 930 | | |
| | | | | | | | | | 104 | 940 | | |
| | | | | | | | | | 105 | 950 | | |
| | | | | | | | | | 106 | 960 | | |
| | | | | | | | | | 107 | 970 | | |
| | | | | | 11 | 20 | | 9 | 108 | 980 | | |
| | | | | | | | | | 109 | 990 | | |
| | | | | | | | | | 110 | 1000 | | |
| | | | | | | | | | 111 | 1010 | | |
| | | | | | | | | | 112 | 1020 | | |
| | | | | | | | | | 113 | 1030 | | |
| | | | | | | | | | 114 | 1040 | | |
| | | | | | | | | | 115 | 1050 | | |
| | | | | | | | | | 116 | 1060 | | |
| | | | | | | | | | 117 | 1070 | | |
| | | | | | | | | | 118 | 1080 | | |
| | | | | | | | | | 119 | 1090 | | |
| | | | | | | | | | 120 | 1100 | | |
| | | | | | | | | | 121 | 1110 | | |
| | | | | | | | | | 122 | 1120 | | |
| | | | | | | | | | 123 | 1130 | | |
| | | | | | | | | | 124 | 1140 | | |
| | | | | | | | | | 125 | 1150 | | |
| | | | | | | | | | 126 | 1160 | | |

CONTINUED ON NEXT PAGE

DMX TRAITS

| CHANNEL | | | | | | | | | DMX VALUES | FUNCTION | DEF. | SNAP |
|-----------|-----------------|---------------------|-------------|--------------------|----------|----------|---------|--------------|------------|----------------------------------|------|------|
| 1Ch Dimm. | 4Ch Dimm. Color | 7Ch. Dimm. Color FX | 6Ch RGB-WLC | 12Ch RGB-WLC 16bit | 14Ch Std | 23Ch Ext | 4Ch HSI | 12Ch HSI Ext | | | | |
| | | | | | | | | | | Refresh Rate (Hz) (continued) | | |
| | | | | | | | | | 127 | 1170 | | |
| | | | | | | | | | 128 | 1180 | | |
| | | | | | | | | | 129 | 1190 | | |
| | | | | | | | | | 130 | 1200 | | |
| | | | | | | | | | 131 | 1210 | | |
| | | | | | | | | | 132 | 1220 | | |
| | | | | | | | | | 133 | 1230 | | |
| | | | | | | | | | 134 | 1240 | | |
| | | | | | | | | | 135 | 1250 | | |
| | | | | | | | | | 136 | 1260 | | |
| | | | | | | | | | 137 | 1270 | | |
| | | | | | | | | | 138 | 1280 | | |
| | | | | | | | | | 139 | 1290 | | |
| | | | | | | | | | 140 | 1300 | | |
| | | | | | | | | | 141 | 1310 | | |
| | | | | | | | | | 142 | 1320 | | |
| | | | | | | | | | 143 | 1330 | | |
| | | | | | | | | | 144 | 1340 | | |
| | | | | | 11 | 20 | | 9 | 145 | 1350 | 0 | Snap |
| | | | | | | | | | 146 | 1360 | | |
| | | | | | | | | | 147 | 1370 | | |
| | | | | | | | | | 148 | 1380 | | |
| | | | | | | | | | 149 | 1390 | | |
| | | | | | | | | | 150 | 1400 | | |
| | | | | | | | | | 151 | 1410 | | |
| | | | | | | | | | 152 | 1420 | | |
| | | | | | | | | | 153 | 1430 | | |
| | | | | | | | | | 154 | 1440 | | |
| | | | | | | | | | 155 | 1450 | | |
| | | | | | | | | | 156 | 1460 | | |
| | | | | | | | | | 157 | 1470 | | |
| | | | | | | | | | 158 | 1480 | | |
| | | | | | | | | | 159 | 1490 | | |
| | | | | | | | | | 160 | 1500 | | |
| | | | | | | | | | 161 | 2500 | | |
| | | | | | | | | | 162 | 4000 | | |
| | | | | | | | | | 163 | 5000 | | |
| | | | | | | | | | 164 | 6000 | | |
| | | | | | | | | | 165 | 10000 | | |
| | | | | | | | | | 166 | 15000 | | |

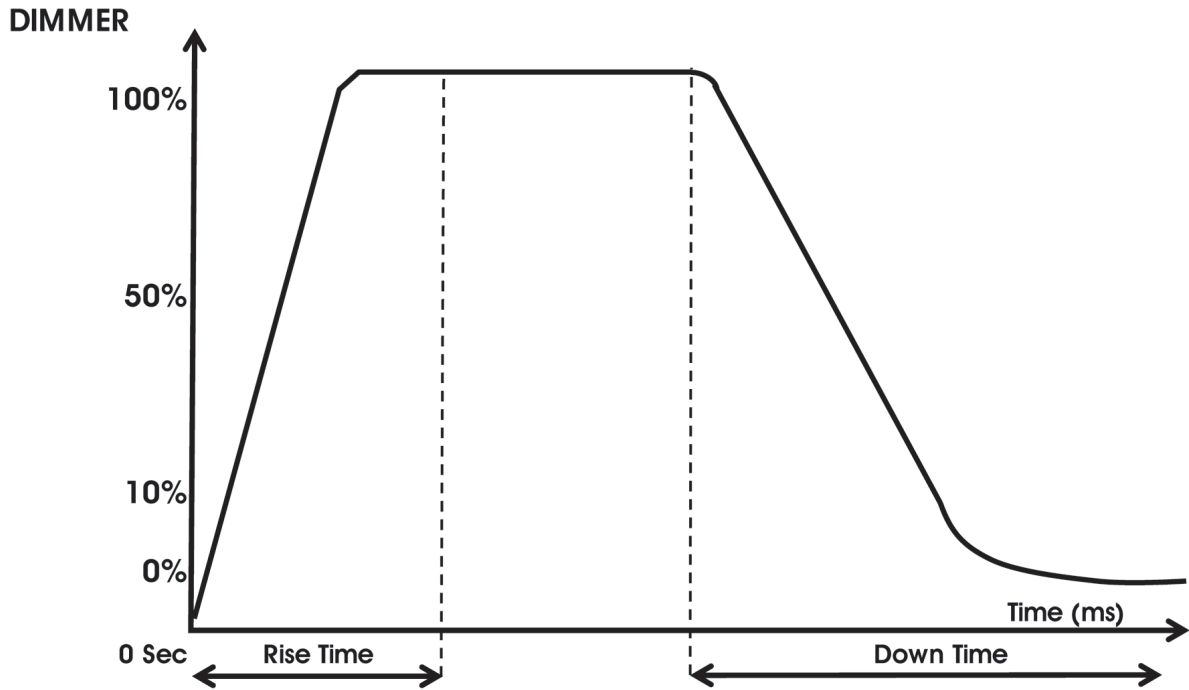
CONTINUED ON NEXT PAGE

DMX TRAITS

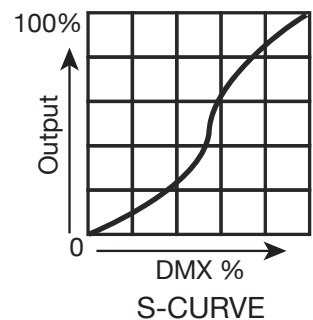
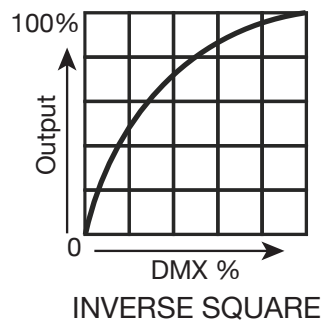
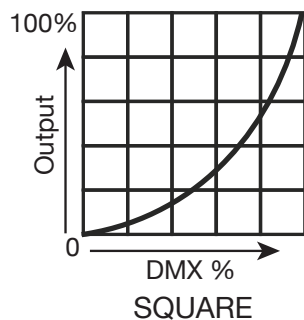
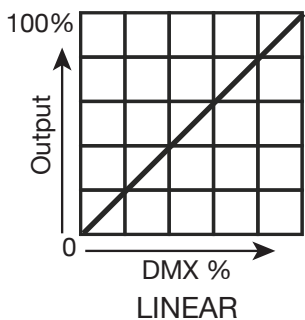
| CHANNEL | | | | | | | | | DMX VALUES | FUNCTION | DEF. | SNAP |
|-----------|------------------|---------------------|-------------|--------------------|----------|----------|---------|--------------|------------|---|------|------|
| 1Ch Dimm. | 4Ch. Dimm. Color | 7Ch. Dimm. Color FX | 6Ch RGB-WLC | 12Ch RGB-WLC 16cit | 14Ch Std | 23Ch Ext | 4Ch HSI | 12Ch HSI Ext | | | | |
| | | | | | | | | | | Refresh Rate (Hz) (continued) | | |
| | | | | | | | | | 167 | 20000 | | |
| | | | | | | | | | 168 | 25000 | | |
| | | | | | | | | | 169 - 200 | Idle | | |
| | | | | | | | | | 201 - 210 | Dimmer Curve Linear (default) | | |
| | | | | | | | | | 211 - 220 | Dimmer Curve Square | | |
| | | | | | | | | | 221 - 230 | Dimmer Curve Inverse Square | | |
| | | | | | | | | | 231 - 240 | Dimmer Curve S-Curve | | |
| | | | | | 11 | 20 | | 9 | 241 | Internal Program 1 (Scene 1-8) | 0 | Snap |
| | | | | | | | | | 242 | Internal Program 2 (Scene 9-16) | | |
| | | | | | | | | | 243 | Internal Program 3 (Scene 17-24) | | |
| | | | | | | | | | 244 | Internal Program 4 (Scene 25-32) | | |
| | | | | | | | | | 245 | Internal Program 5 (Scene 33-40) | | |
| | | | | | | | | | 246 | Internal Program 6 (Scene 41-48) | | |
| | | | | | | | | | 247 | Internal Program 7 (Scene 49-56) | | |
| | | | | | | | | | 248 - 255 | Idle | | |
| | | 5 | | | 12 | 21 | | 10 | 000 - 255 | FX Selection (not currently implemented) | 0 | Snap |
| | | 6 | | | 13 | 22 | | 11 | 000 - 255 | FX Adjustment | 127 | Fade |
| | | | | | | | | | | FX Offset | | |
| | | | | | | | | | 000 | Idle | | |
| | | | | | | | | | 001 | Fixture Offset, 10° | | |
| | | | | | | | | | 002 | Fixture Offset, 20° | | |
| | | | | | | | | | ... | ... | | |
| | | 7 | | | 14 | 23 | | 12 | 035 | Fixture Offset, 350° | 0 | Snap |
| | | | | | | | | | 036 | Synchronized | | |
| | | | | | | | | | 037 - 100 | No function | | |
| | | | | | | | | | 101 - 120 | Random Fixture Offset | | |
| | | | | | | | | | 121 - 140 | Random Pixel Order | | |
| | | | | | | | | | 141 - 255 | Random Steps | | |

DIMMER MODES

Select desired DIMMER MODE (Standard, Stage, TV, Architectural, Theatre, Stage2).



| Dimming Curve Ramp Effect | 0 sec Fade Time | | 1 sec Fade Time | |
|---------------------------|-----------------|----------------|-----------------|----------------|
| | Rise Time (ms) | Down Time (ms) | Rise Time (ms) | Down Time (ms) |
| Standard (default) | 0 | 0 | 0 | 0 |
| Stage | 780 | 1100 | 1540 | 1660 |
| TV | 1180 | 1520 | 1860 | 1940 |
| Architectural | 1380 | 1730 | 2040 | 2120 |
| Theatre | 1580 | 1940 | 2230 | 2280 |
| Stage 2 | 0 | 1100 | 0 | 1660 |



COLOR TEMPERATURE TABLE

| DMX VALUES | COLOR TEMP (K) |
|------------|----------------|
| 020 | 2000 |
| 021 | 2100 |
| 022 | 2200 |
| 023 | 2300 |
| 024 | 2400 |
| 025 | 2500 |
| 026 | 2600 |
| 027 | 2700 |
| 028 | 2800 |
| 029 | 2900 |
| 030 | 3000 |
| 031 | 3100 |
| 032 | 3200 |
| 033 | 3300 |
| 034 | 3400 |
| 035 | 3500 |
| 036 | 3600 |
| 037 | 3700 |
| 038 | 3800 |
| 039 | 3900 |
| 040 | 4000 |
| 041 | 4100 |
| 042 | 4200 |
| 043 | 4300 |
| 044 | 4400 |
| 045 | 4500 |
| 046 | 4600 |
| 047 | 4700 |
| 048 | 4800 |
| 049 | 4900 |
| 050 | 5000 |
| 051 | 5100 |

| DMX VALUES | COLOR TEMP (K) |
|------------|----------------|
| 052 | 5200 |
| 053 | 5300 |
| 054 | 5400 |
| 055 | 5500 |
| 056 | 5600 |
| 057 | 5700 |
| 058 | 5800 |
| 059 | 5900 |
| 060 | 6000 |
| 061 | 6100 |
| 062 | 6200 |
| 063 | 6300 |
| 064 | 6400 |
| 065 | 6500 |
| 066 | 6600 |
| 067 | 6700 |
| 068 | 6800 |
| 069 | 6900 |
| 070 | 7000 |
| 071 | 7100 |
| 072 | 7200 |
| 073 | 7300 |
| 074 | 7400 |
| 075 | 7500 |
| 076 | 7600 |
| 077 | 7700 |
| 078 | 7800 |
| 079 | 7900 |
| 080 | 8000 |
| 081 | 8100 |
| 082 | 8200 |

VIRTUAL COLORS TABLE

| Elation KL Panel / KL Panel PO Virtual Colors Table | | | | | |
|---|----------|-------------------|--------|----------|-------------------|
| Value | Filter # | Name | Value | Filter # | Name |
| 1 | 7 | Pale Yellow | 28 | 113 | Magenta |
| 2 | 103 | Straw | 29 | 46 | Dark Magenta |
| 3 | 151 | Gold Tint | 30 | 48 | Rose Purple |
| 4 | 100 | Spring Yellow | 31 | 126 | Mauve |
| 5 | 10 | Medium Yellow | 32 | 49 | Medium Purple |
| 6 | 101 | Yellow | 33 | 58 | Lavender |
| 7 | 104 | Deep Amber | 34 | 199 | Palace Blue |
| 8 | 15 | Deep Straw | 35 | 119 | Dark Blue |
| 9 | 179 | Loving Amber | 36 | 132 | Medium Blue |
| 10 | 21 | Gold Amber | 37 | 120 | Deep Blue |
| 11 | 105 | Orange | 38 | 165 | Daylight Blue |
| 12 | 158 | Deep Orange | 39 | 161 | Slate Blue |
| 13 | 22 | Dark Amber | 40 | 118 | Light Blue |
| 14 | 778 | Millennium Gold | 41 | 68 | Sky Blue |
| 15 | 135 | Deep Golden Amber | 42 | 143 | Pale Navy Blue |
| 16 | 24 | Scarlet | 43 | 131 | Marine Blue |
| 17 | 106 | Primary Red | 44 | 115 | Peacock Blue |
| 18 | 26 | Bright Red | 45 | 172 | Lagoon Blue |
| 19 | 27 | Medium Red | 46 | 116 | Medium Blue Green |
| 20 | 19 | Fire | 47 | 90 | Dark Yellow Green |
| 21 | 157 | Pink | 48 | 139 | Primary Green |
| 22 | 36 | Medium Pink | 49 | 122 | Fern Green |
| 23 | 111 | Dark Pink | 50 | 89 | Moss Green |
| 24 | 128 | Bright Pink | 51 | 124 | Dark Green |
| 25 | 148 | Bright Rose | 52 | 88 | Lime Green |
| 26 | 332 | Special Rose Pink | 53 | 138 | Pale Green |
| 27 | 793 | Vanity Fair | 54-179 | | No function |

SOFTWARE UPDATES

**ONLY QUALIFIED TECHNICIANS SHOULD PERFORM THIS FUNCTION!
NOTE ALL MENU SETTINGS BEFORE UPDATING SOFTWARE!
FIXTURE SOFTWARE CAN NOT BE DOWNGRADED!
DOWNLOAD FIXTURE SOFTWARE TO PC ONLY! (NO MAC SUPPORT)
PLEASE CONTACT ELATION SERVICE FOR FURTHER INFORMATION.**

PERSONALITY – Service Setting – USB Update

To update the fixture software via the UPDATE/SERVICE PORT, follow steps below.

1. Copy fixture software update file from a PC computer to a compatible USB flash drive.
Make sure only the fixture software update file is stored on the USB flash drive.
2. Disconnect DMX, Art-Net, and E-FLY connections and power the fixture ON.
3. Insert USB flash drive into the UPDATE/SERVICE PORT on the rear connection panel.
4. Navigate to the Personality > Service, then input the service passcode. Select the Update Software option.
5. Select the software file name on the menu display and press ENTER.
6. Select YES to begin update process. Updating...% will show on the menu display.
7. After file is uploaded, the fixture will check the software, which may take some time.
8. The fixture will perform a reset process when the software update process is complete.
9. Remove the USB flash drive and make necessary system menu setting adjustments.

C-LOADER II

Alternately, an Elation C-Loader II can be used to update the fixture to the latest software. Please visit the C-Loader II product page at the Elation web site and download the product manual for step by step instructions.

<https://www.elationlighting.com/c-loader-software-uploader>

To order the C-Loader II uploader and the updated software for your fixture, please contact Elation support for details.

SPECIFICATIONS

SOURCE

6-in-1 (Red, Green, Blue, White, Lime, Cyan) Full Spectrum LED Array
50,000 Hour Average LED Life*

*Test lab conditions. May vary depending on several factors including but not limited to: Environmental Conditions, Power/Voltage, Usage Patterns (On-Off Cycling), Control and Dimming.

PHOTOMETRIC DATA

Up to 24,000 Total Lumen Output
Diffuser Beam Angle 101°
Diffuser Field Angle 159.4°
No Diffuser Beam Angle 111°
No Diffuser Field Angle 155.4°

EFFECTS

Variable CCT 2000K - 10000K
Green-Shift Adjustment
Virtual Gel Library
Variable 16-bit Dimming Curve Modes
High Speed Electronic Shutter and Strobe
Remote Adjustable LED Refresh Rate Frequency (900Hz-25KHz)

CONTROL / CONNECTIONS

9 DMX Channel Modes
3 Manual Adjustment Encoders
4 Button Control Panel and OLED Menu Display
DMX, RDM, Art-Net, sACN Protocol Support
E-Fly Internal Extended Range Wireless DMX Transceiver
Locking 5pin XLR Connector In/Out
Locking IP65 Power Connector In/Out
USB Connection (Firmware Updates, External 5V Power for Accessories)
4pin XLR External Battery Connection (battery not included)
With Wired Digital Communication Network
Junior Pin Adaptor #7050001062

SIZE / WEIGHT

Length: 20.8" (528mm)
Width: 5.5" (140mm)
Height: 12.2" (310mm)
Height (with yoke): 16.3" (415.2mm)
Weight: 28.6 lbs (13 kg)
Weight (without barndoor): 23.2 lbs (10.52 kg)
Weight (junior pin): 1.02 lbs (0.46kg)

ELECTRICAL / THERMAL

AC 100-240V - 50/60Hz
24-36 VDC (battery operation - battery not included)
Max Power Consumption 295W
14°F to 113°F (-10°C to 45°C)
BTU/hr (+/- 10%) 1005.95

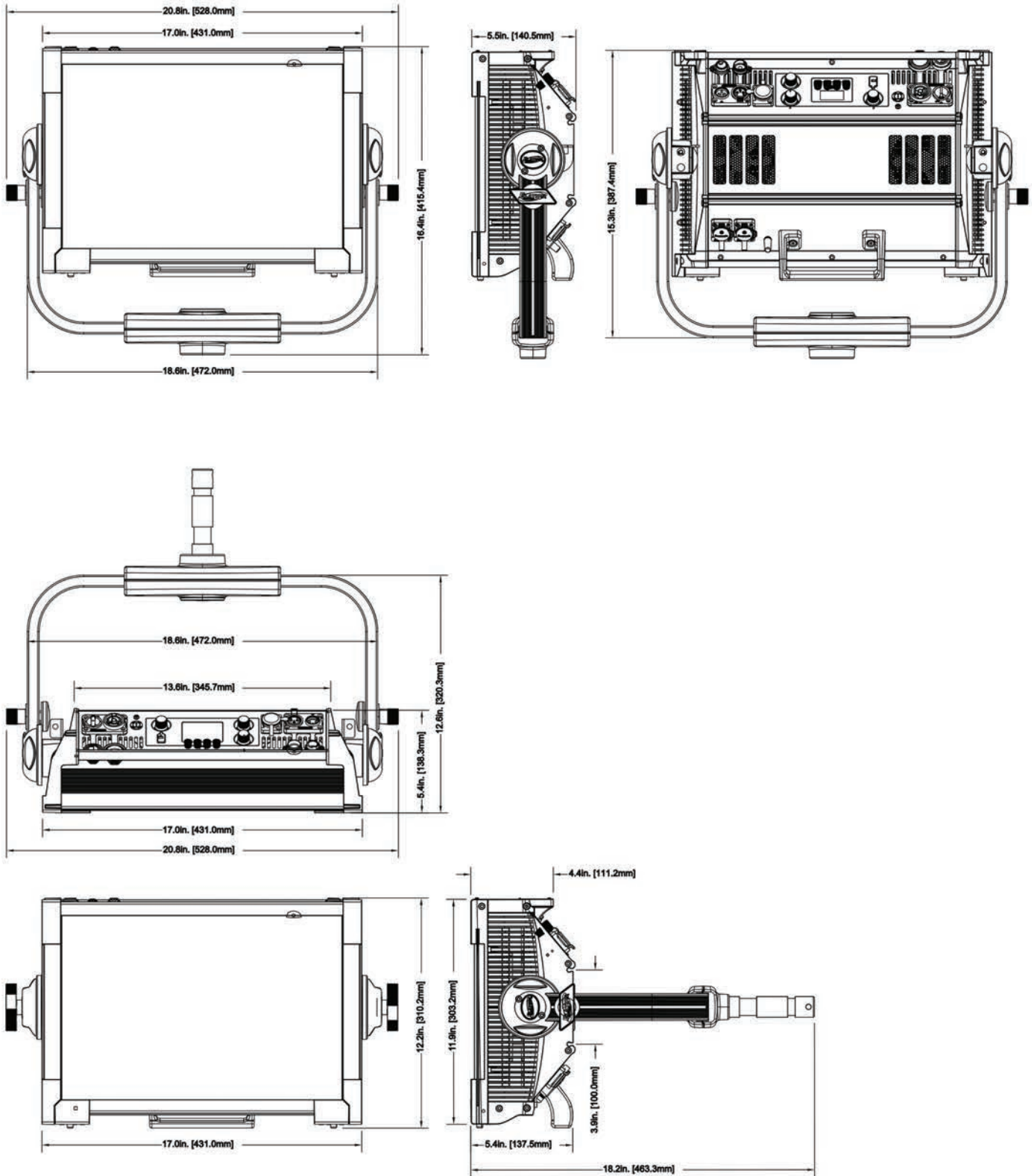
APPROVALS / RATINGS

CE | cETLus | IP20

Specifications and documentation subject to change without notice.

DIMENSIONAL DRAWINGS

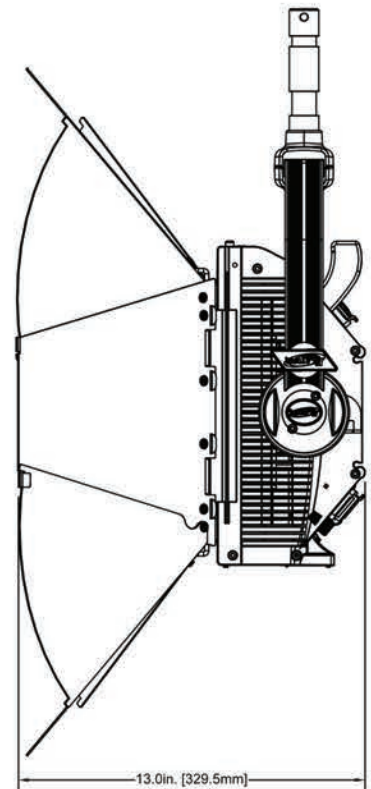
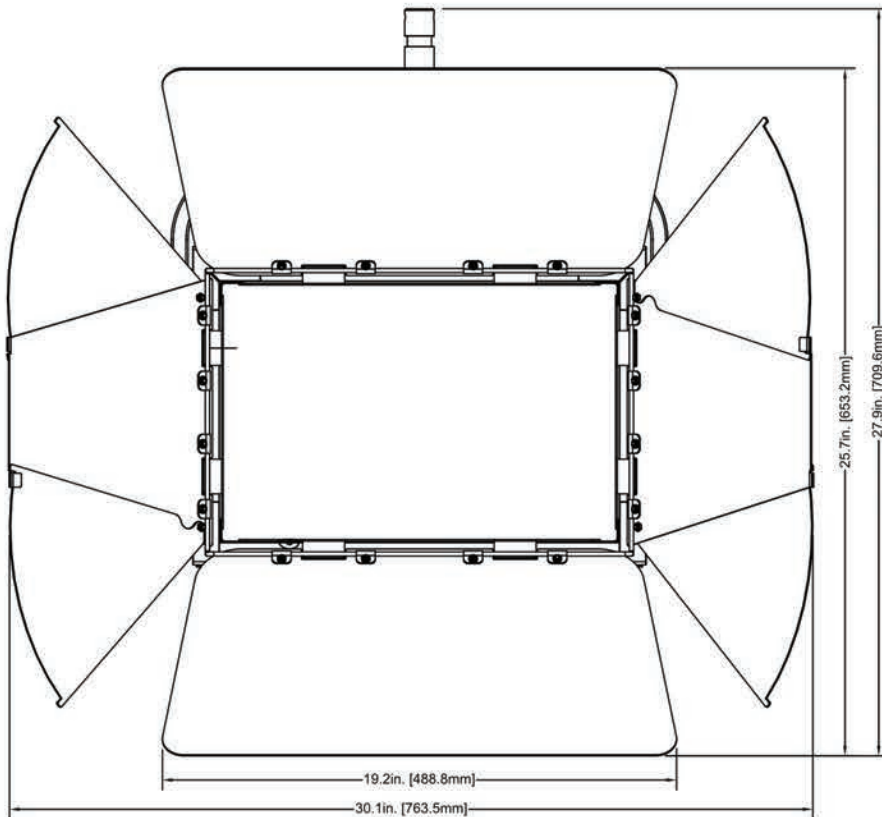
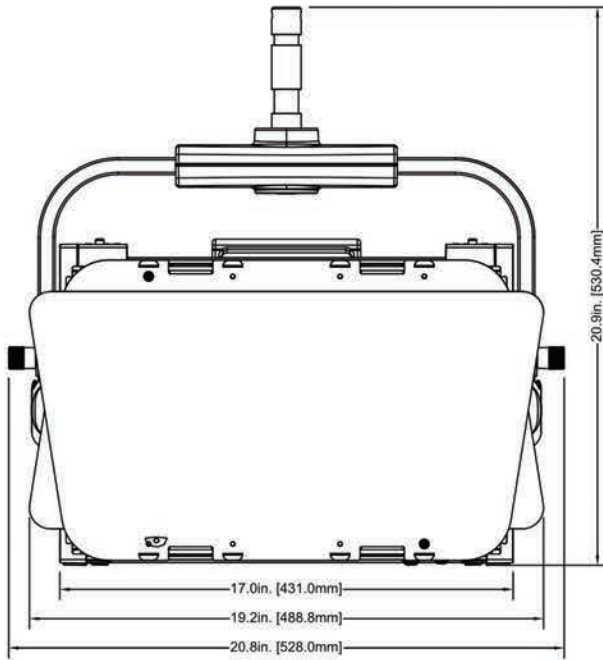
FIXTURE ONLY



Drawings not to scale.

DIMENSIONAL DRAWINGS

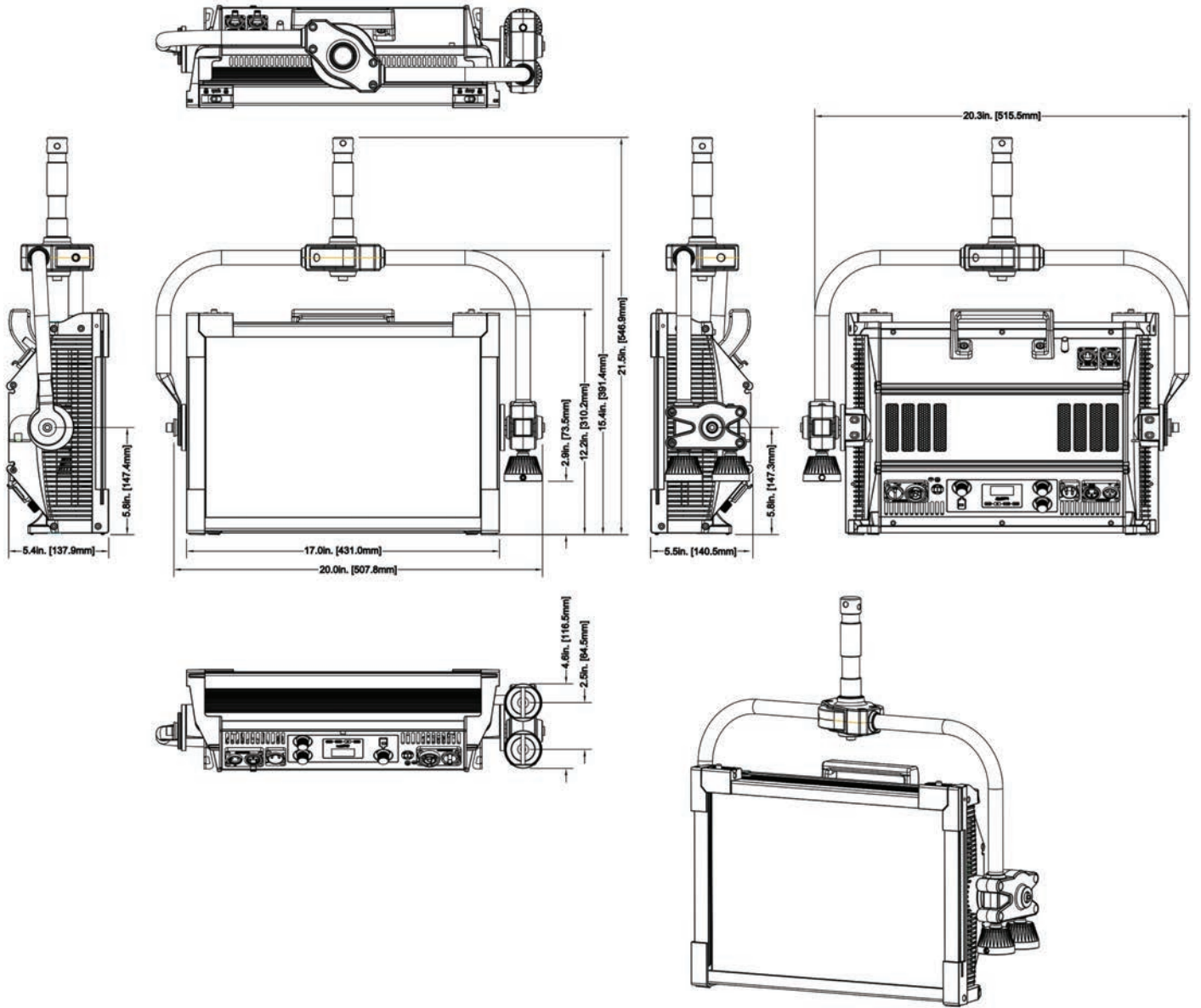
BARN DOOR AND JUNIOR PIN INSTALLED



Drawings not to scale.

DIMENSIONAL DRAWINGS

KL PANEL PO BRACKET INSTALLED



Drawings not to scale.

OPTIONAL ACCESSORIES

| SKU (USA) | SKU (EU) | DESCRIPTION |
|-----------|------------|----------------------|
| KLP001 | 1237000224 | KL Panel |
| KLP014 | 1237000264 | KL Panel Narrow Yoke |
| KLP613 | 1223200081 | Snapgrid 40° |
| KLP625 | 1223200082 | Snapbag |
| KLP991 | 1223200080 | KL Panel PO Bracket |

FCC STATEMENT

This device complies with Part 15 of the FCC Rules. Operation is subject to the following two conditions: (1) this device may not cause harmful interference, and (2) this device must accept any interference received, including interference that may cause undesired operation.

FCC RADIO FREQUENCY INTERFERENCE WARNINGS & INSTRUCTIONS

This product has been tested and found to comply with the limits as per Part 15 of the FCC Rules. These limits are designed to provide reasonable protection against harmful interference in a residential installation. This device uses and can radiate radio frequency energy and, if not installed and used in accordance with the included instructions, may cause harmful interference to radio communications. However, there is no guarantee that interference will not occur in a particular installation. If this device does cause harmful interference to radio or television reception, which can be determined by turning the device off and on, the user is encouraged to try to correct the interference by one or more of the following methods:

- Reorient or relocate the device.
- Increase the separation between the device and the receiver.
- Connect the device and the radio receiver to electrical outlets on two different circuits.
- Consult the dealer or an experienced radio/TV technician for help.



