



## DATA SHEET

---

### DisplayPort™ Cable with Latches 8K UHD M/M - Black

Ideal solution for connecting the DisplayPort output of a computer to a computer monitor which accepts a DisplayPort input

#### OVERVIEW

These DisplayPort™ Cables with Latches is an ideal solution for connecting the DisplayPort output of a computer to a computer monitor which accepts a DisplayPort input. This cable carries a digital audio/video signal and the connectors feature latches which secure the cable in the port. Support of a High Bit Rate (HBR) bandwidth means that this cable can carry up to an 8K UHD (7680 x 4320) resolution. This cable meets the requirements of high performance applications.

#### FEATURES

- Directly connect a DisplayPort output to a DisplayPort input
- Carries a digital audio/video signal
- Supports a High Bit Rate (HBR) bandwidth and resolutions up to 8K UHD (7680 x 4320)

#### ITEM DESCRIPTION

C2G54423	1ft DisplayPort™ Cable with Latches 8K UHD M/M - Black
C2G54400	3ft DisplayPort™ Cable with Latches 8K UHD M/M - Black
C2G54401	6ft DisplayPort™ Cable with Latches 8K UHD M/M - Black
C2G54402	10ft DisplayPort™ Cable with Latches 8K UHD M/M - Black
C2G54403	15ft DisplayPort™ Cable with Latches 8K UHD M/M - Black
C2G54424	20ft DisplayPort™ Cable with Latches 8K UHD M/M - Black
C2G54404	25ft DisplayPort™ Cable with Latches 8K UHD M/M - Black
C2G54425	30ft DisplayPort™ Cable with Latches 8K UHD M/M - Black
C2G54405	35ft DisplayPort™ Cable with Latches 8K UHD M/M - Black

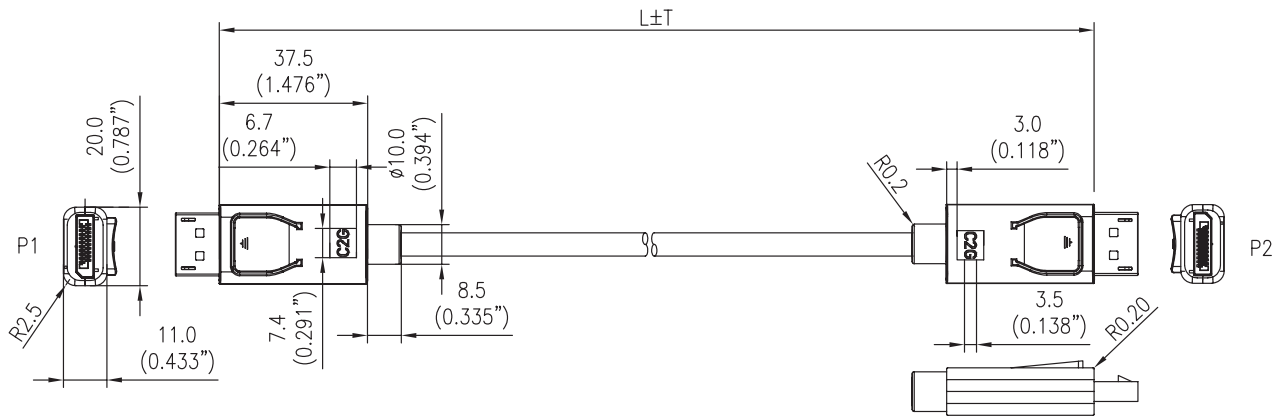
## ELECTRICAL SPECIFICATIONS

- Voltage Rating: 30V
- Conductor Resistance: @ 20°C max
  - 28AWG: 237.25Ω/km
  - 30AWG: 376.96Ω/km
  - 32AWG: 588.85Ω/km
- Insulation Resistance: 10M Ω/km min at 20°C DC 500V
- Time Delay: 5.2ns/m (max)

- Connectors: DisplayPort 20P male, Solder Type, Contact: Gold Flash Plated; Housing: Black LCP; Shell: Nickel Plated (with Latched)
  - CG54404-5; CG54424-5:
    - 28AWG
    - OD: 7.3±0.15; 0.287mm
  - CG54403:
    - 30AWG
    - OD: 6.5±0.15; 0.256mm
  - CG54400-2; CG54423:
    - 32AWG
    - OD: 6.0±0.15; 0.236mm
- Product is CE Marked and Conforms to 2011/65/EU ROHS 2

## PHYSICAL SPECIFICATIONS

- Minimum Bend Radius: 73mm
- Tensile Strength: Unaged: 1500 PSI min Aged: 70%
- Elongation: Unaged: 100% min, Aged: 65% Approvals: CE
- Jacket: PVC 0.51mm Min AVG



P/N CHART

54405	35FT	10.5M	10668	+305/-152	CABLE C-C
54425	30FT	9M	9150	+305/-152	
54404	25FT	7.5M	7620	+305/-152	
54424	20FT	6.1M	6100	+305/-152	
54403	15FT	4.5M	4572	+152/-51	CABLE B-B
54402	10FT	3M	3048	+152/-51	
54401	6FT	1.8M	1830	+152/-51	CABLE A-A
54400	3FT	0.9M	914	+25/-13	
54423	1FT	0.3M	305	+25/-13	
P/N(xxxxx)	L(**)	L(****)	L(mm)	T(mm)	CABLE SPEC



LEGRAND | AV COMMERCIAL BRANDS  
C2G | Chief | Da-Lite | Luxul | Middle Atlantic | Vaddio | Wiremold

### SIMPLIFIED CONNECTIVITY

USA 800.506.9607 | c2g.com | legrandav.com | customer-service@c2g.com

EMEA +31 495 580 840 | c2g.com/uk | legrandav.com | c2g.emea@av.legrand.com

©2023 Legrand AV Inc. 230131 Rev B 2/23 C2G is a registered trademark of Legrand AV Inc. All other brand names or marks are used for identification purposes and are trademarks of their respective owners. All patents are protected under existing designations. Other patents pending.