



Scan for full manual

FRAME-1GP Quick Start Guide

This guide helps you install and use your **FRAME-1GP** for the first time.

Go to www.kramerav.com/downloads/FRAME-1GP to download the latest documentation.

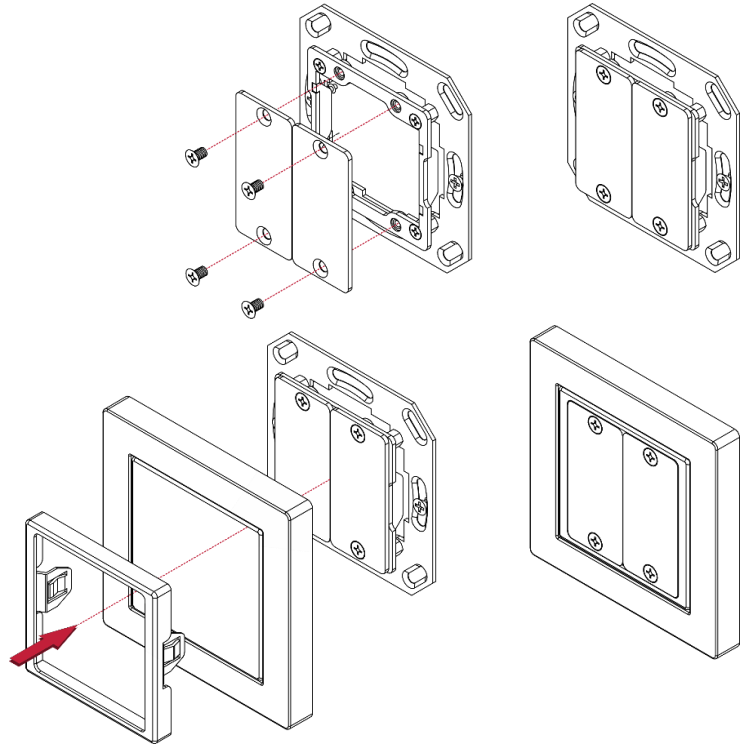
Step 1: Check what's in the box

- ✓ 1 2-Insert design frame
- ✓ 1 Locking frame
- ✓ 1 Mounting bracket
- ✓ 2 Blank inserts
- ✓ 4 M3x5 flat-head screws
- ✓ 1 Quick start guide
- ✓ 2 M3x10 flat-head screws
- ✓ 2 M3x12 flat-head screws
- ✓ 2 Spacers+ screws for BS EN 60670-1 junction box

Step 2: Install the FRAME-1GP

To connect the **FRAME-1GP** 1 Gang 2-Insert Design Frame:

1. Use the two screws (either M3x10 or M3x12 flat-head screws, supplied with the unit) to mount the Mounting Bracket onto the wall over the in-wall junction box.
2. Attach the inserts using the four M3x5 screws supplied with the unit (the supplied blanks can be replaced with other Kramer single inserts).
3. Place the Design Frame over the inserts.
4. Fit the Locking Frame inside the Design Frame and click it in place.



We recommend that you use any of the following standard 1 Gang in-wall junction boxes (or their equivalent):

- **EU:** 1 Gang in-wall junction box, with a cut-hole diameter of 68mm and depth that can fit in the connected cables (DIN 49073).
- **UK:** 1 Gang in-wall junction box, 75x75mm (W, H), and depth that can fit in connected cables (BS 4662 or BS EN 60670-1 used with supplied spacers and screws).

Specifications

General	Net Dimensions (W, D, H)	EU: 8cm x 4.7cm x 8cm (3.1" x 1.9" x 3.1) UK: 8.6cm x 4.7cm x 8.6cm (3.4" x 1.9" x 3.4")
	Shipping Dimensions (W, D, H)	12.6cm x 8.4 cm x 4.1 cm (5" x 3.3" x 1.6")
	Net Weight	0.08kg (0.18lbs) approx.
	Shipping Weight	0.1kg (0.2lbs) approx.
	Outer Frame	ABS Plastic
	Inner frame	Metal