



Scan for full manual

VP-426C Quick Start Guide

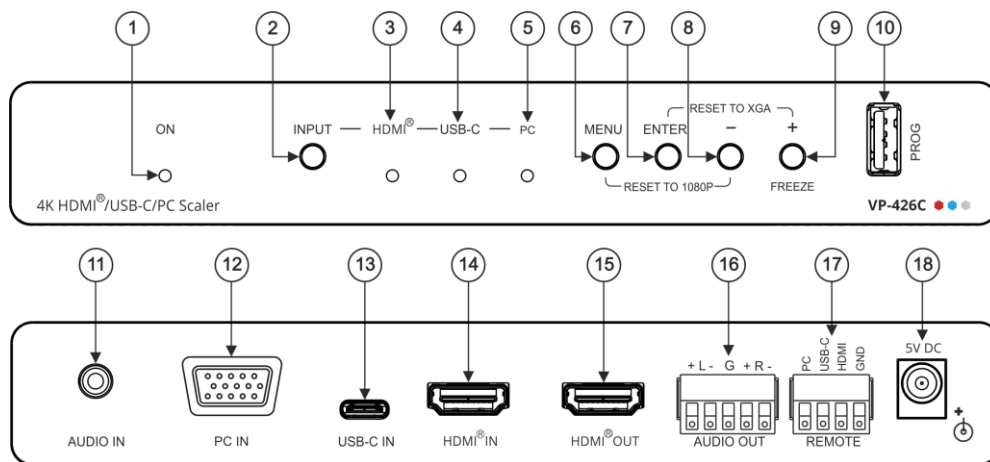
This guide helps you install and use your VP-426C for the first time.

Go to www.kramerav.com/downloads/VP-426C to download the latest user manual and check if firmware upgrades are available.

Step 1: Check what's in the box

- ✓ VP-426C 4K HDMI/USB-C/PC Scaler
- ✓ 1 Bracket set
- ✓ 1 Quick start guide
- ✓ 1 Power adapter and cord
- ✓ 4 Rubber feet

Step 2: Get to know your VP-426C



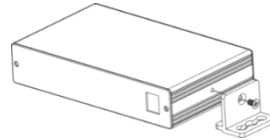
#	Feature	Function
1	ON LED	Lights green when the unit is powered.
2	INPUT Button	Press to cycle the input between HDMI, USB-C and PC.
3	HDMI™ LED	Lights when the HDMI input is selected.
4	USB-C LED	Lights when the USB-C input is selected.
5	PC LED	Lights when the PC input is selected.
6	MENU Button	Press to enter/escape the on-screen display (OSD) menu. Press together with the – button to reset to 1080p (RESET TO 1080P).
7	ENTER Button	In OSD, press to choose the highlighted menu item. Press together with the + button to reset to XGA (RESET TO XGA).
8	– Button	In OSD, press to move backward through the list or to decrement the parameter value.
9	+ / FREEZE Button	In OSD, press to move forward through the list or to increment the parameter value. When not in OSD, press to freeze the display.
10	PROG USB Connector	Connect to a PC for upgrading the firmware.
11	AUDIO IN PC 3.5mm Mini Jack	Connect to an unbalanced stereo audio PC source. Can also be selected as the audio input (instead of the HDMI and USB-C embedded audio inputs).
12	PC IN 15-pin HD Connector	Connect to a laptop.
13	USB-C IN USB Type C Port	Connect to a USB type-C audio-video source.
14	HDMI™ IN Connector	Connect to an HDMI source.
15	HDMI™ OUT Connector	Connect to an HDMI acceptor.
16	AUDIO OUT Terminal Block Connector	Connect to a balanced stereo audio acceptor.
17	REMOTE 4-pin Terminal Block Connector	Connect to contact closure switches (by momentary contact between the desired pin and GND pin) to select an input.
18	5V DC	+5V DC connector for powering the unit.

The terms HDMI, HDMI High-Definition Multimedia Interface, and the HDMI Logo are trademarks or registered trademarks of HDMI Licensing Administrator, Inc.

Step 3: Mount VP-426C

Install VP-426C using one of the following methods:

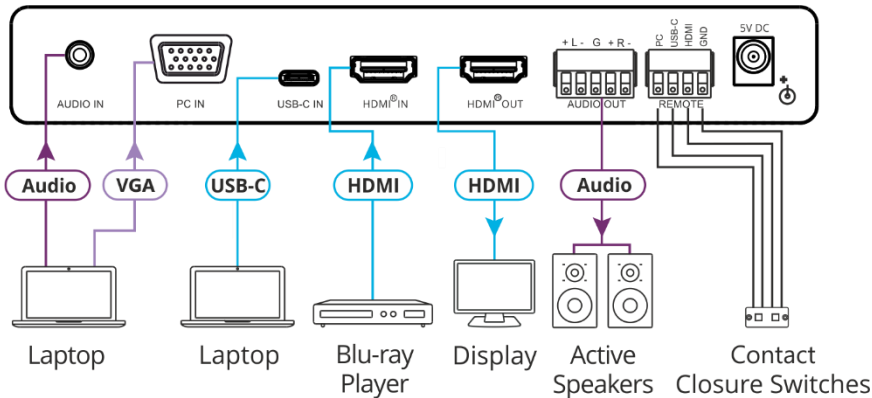
- Attach the rubber feet and place the unit on a flat surface.
- Fasten a bracket (included) on each side of the unit and attach it to a flat surface (see www.kramerav.com/downloads/VP-426C).
- Mount the unit in a rack using the recommended rack adapter (see www.kramerav.com/product/VP-426C).



- Ensure that the environment (e.g., maximum ambient temperature & air flow) is compatible for the device.
- Avoid uneven mechanical loading.
- Appropriate consideration of equipment nameplate ratings should be used for avoiding overloading of the circuits.
- Reliable earthing of rack-mounted equipment should be maintained.
- Maximum mounting height for the device is 2 meters.

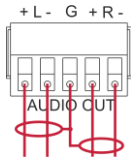
Step 4: Connect inputs and outputs

Always switch OFF the power on each device before connecting it to your VP-426C.

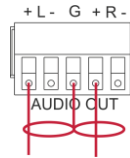


Connect the audio output

To a balanced stereo audio acceptor:



To an unbalanced stereo audio acceptor:



To achieve specified extension distances, use the recommended Kramer cables available at www.kramerav.com/product/VP-426C. Using third-party cables may cause damage!

Step 5: Connect power

Connect the power cord to VP-426C and plug it into the mains electricity.

Safety Instructions (See www.kramerav.com for updated safety information)

Caution:

- For products with relay terminals and GPIO ports, please refer to the permitted rating for an external connection, located next to the terminal or in the User Manual.
- There are no operator serviceable parts inside the unit.

Warning:

- Use only the power cord that is supplied with the unit.
- Disconnect the power and unplug the unit from the wall before installing.

Step 6: Operate and control VP-426C

Select the input via the following options:

- Press the front panel INPUT button.
- Use the contact closure terminal block to select an input remotely with the press of a button.

Press the MENU button to configure and control the device via OSD menu:

- Set brightness, contrast, color, noise reduction etc.
- Manage EDID.
- Configure HDCP behavior.
- Select resolution and aspect ratio.
- Manage auto power down (Auto Sync Off).
- Manage audio bypass and delay.
- View device information.
- Reset to factory default parameters.
- Control OSD display.

