

DATA SHEET



USB-C to Ethernet Adapter with 3-Port USB Hub

Add 3 USB 3.0 ports and a wired network connection to a USB Type-C enabled device

OVERVIEW

The USB-C to Ethernet Adapter with 3-Port Hub is an ideal solution for wired network connectivity and data transfer on the go, in the office, or any work space. This adapter connects to a USB-C or Thunderbolt 3 enabled laptop, tablet, or desktop computer and features an Ethernet port and three USB 3.0 ports.

The small form factor of this adapter makes it a portable and convenient solution that provides a Gigabit Ethernet port for a wired internet connection and three USB 3.0 ports to connect peripheral devices. The adapter is perfect for connecting to networks where Wi-Fi® is unavailable or for computers that do not provide a wired Ethernet port or possibly have a damaged Ethernet port.

The Ethernet port allows for reliable internet connectivity and file transfer speeds up to 1000Mbps, while the three USB 3.0 ports enable transfer speeds up to 5Gbps.

FEATURES

- RJ45 Gigabit Ethernet
- Three SuperSpeed USB 3.0 ports
- Compatible with USB-C and Thunderbolt™ 3 ports
- Reversible, symmetrical USB-C connector
- Small form factor for portability
- Plug and Play—no driver required

ITEM DESCRIPTION

82406	USB-C to Ethernet Adapter with 3-Port USB Hub - Black
82409	USB-C to Ethernet Adapter with 3-Port USB Hub - White

DATA SHEET

SPECIFICATIONS:

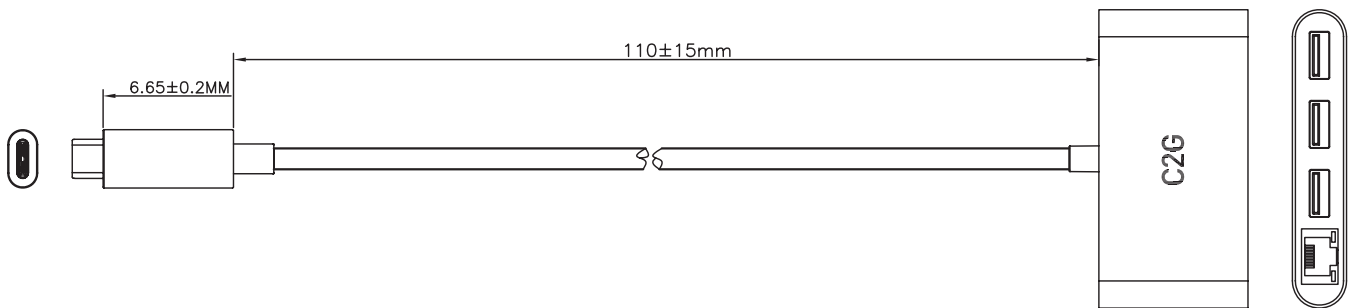
USB-C to Ethernet Adapter with 3-Port USB Hub

ELECTRICAL SPECIFICATIONS:

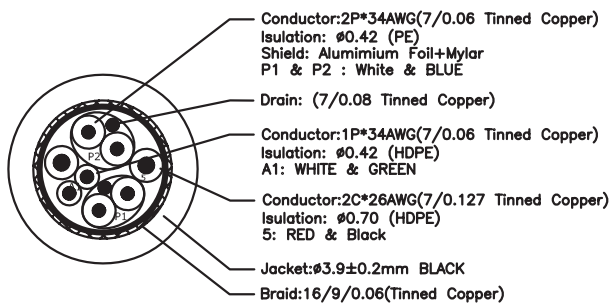
- USB3.1~[34AWG(7/0.06TC)+EAM]*2P+34AWG(7/0.06TC)*2C+28AWG(7/0.127TC)*2C+AB(16/9/0.06TC 85%TC) OD:3.9MM~White
- Rated Temperature: 80°C ; Voltage: 30V
- Max Conductor Resistance at 20°C: 34AWG , 860 OHMS/KM
- Insulation Resistance: 10M-KM MIN at 20°C DC 500V (EIA-364-21)
- Dielectric Strength: AC 500V/1 Minute No Breakdown (EIA-364-20)

PHYSICAL SPECIFICATIONS:

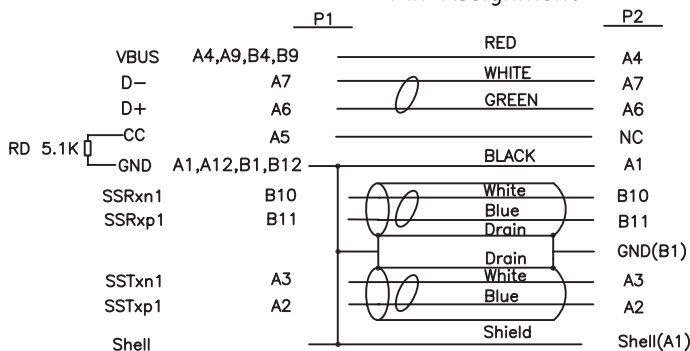
- Operating Temperature: 0 ~ 45°C; 15-85% RH (Non-Condensing)
- Storage Temperature: -10 ~ 70°C; 15-85% RH (Non-Condensing)
- USB 3.1 C Type Male: Contacts Terminal Gold Plated 3U, Nickel Plated Shell; Black Insulation
- USB+RJ45 Female: Contacts Terminal Gold Flash, Nickel Plated Shell; Black Insulation with PCB, Chipset: RTL8153-VB-CG & VL813
- Molding Material: Black PVC Conforms to RoHS
- Product is CE Marked and Conforms to 2011/65/EU RoHS2



CABLE Cross Section.:



Pin Assignment



C2G
A brand of **Legrand**

Great King Street North
Birmingham, West Midlands B19 2LF
UK Phone (0)800 328 2916
EMEA Phone +44 (0)1952 677300
www.c2g.com/uk

Follow Us

