

Features

- ▶ Cat.6a with up to 500MHz for 10GBase-T Ethernet and HDBaseT
- ▶ Gold plated precision contacts, S/FTP shielding
- ▶ Neutrik NE8MX-B-1 RJ45 male to Neutrik NE8MX-B-1 RJ45 male
- ▶ High purity copper conductors, AWG26/24, 6.2/7.0mm outer diameter
- ▶ Halogen-free (LSZH) cable sheathing, low smoke emissions in case of fire

Connections

Connector Material	Die-Cast, Nickel-Plated
Contact Material	Gold Plated
Connector 1	Neutrik NE8MX-B-1 (RJ45)
Dimensions Connector 1	67.55mm x Ø19.9mm
Connector 2	Neutrik NE8MX-B-1 (RJ45)
Dimensions Connector 2	67.55mm x Ø19.9mm

Cable

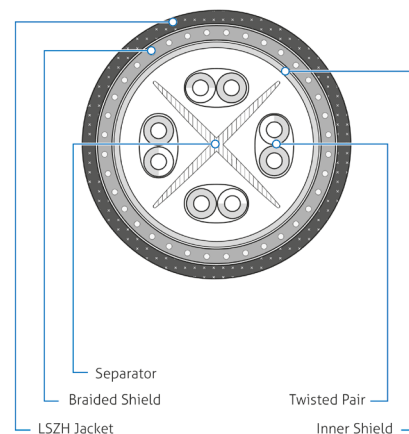
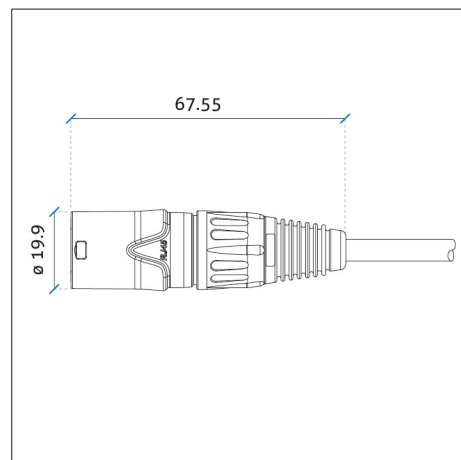
Type	Round Cable with Solid Core Copper Conductors
Construction	4x Twisted Pair - 1/0,40 CU up to 20m, 1/0,51 CU from 30m
Shielding	S/FTP
Jacket Outer Material	LSZH (FT-2, CPR Eca)
Cable Outer Diameter	6.2mm up to 20m / 7.0mm from 30m
AWG	AWG26 up to 20m / AWG24 from 30m
Sheath Printing	Compliance and Cat. Standards

Signal Transmission

Transmission Modes	Ethernet, HDBaseT, AVoIP u.V.m.
Standard	Cat.6A
Bandwidth	10Gbps / 500MHz

General

Transmission Distance	Up to 100m
Operation Temperature	-20~80°C
Colour	Black
Packaging	Polybag up to 20m, Cable Reel from 30m
Certification	CE, FCC, ROHS, UL13
Compliance	ISO/IEC 11801, EN50173-1, ANSI/TIA-568-C.2 & IEC60332-1-2



IQ-CAT6A Overview

Parent	Art. No.	Length	Colour	EAN
IQ-CAT6A	IQ-CAT6A-N010	1.00m	black	4251364724255
	IQ-CAT6A-N015	1.50m	black	4251364724248
	IQ-CAT6A-N020	2.00m	black	4251364724231
	IQ-CAT6A-N030	3.00m	black	4251364724224
	IQ-CAT6A-N050	5.00m	black	4251364724217
	IQ-CAT6A-N075	7.50m	black	4251364724200
	IQ-CAT6A-N100	10.00m	black	4251364724194
	IQ-CAT6A-N150	15.00m	black	4251364724187
IQ-CAT6A-N200	20.00m	black	4251364724170	

Parent	Art. No.	Length	Colour	EAN
IQ-CAT6A-NR	IQ-CAT6A-NR300	30.00m	black	4251364724156
	IQ-CAT6A-NR500	50.00m	black	4251364724149
	IQ-CAT6A-NR700	70.00m	black	4251364724132
	IQ-CAT6A-NR1000	100.00m	black	4251364724163