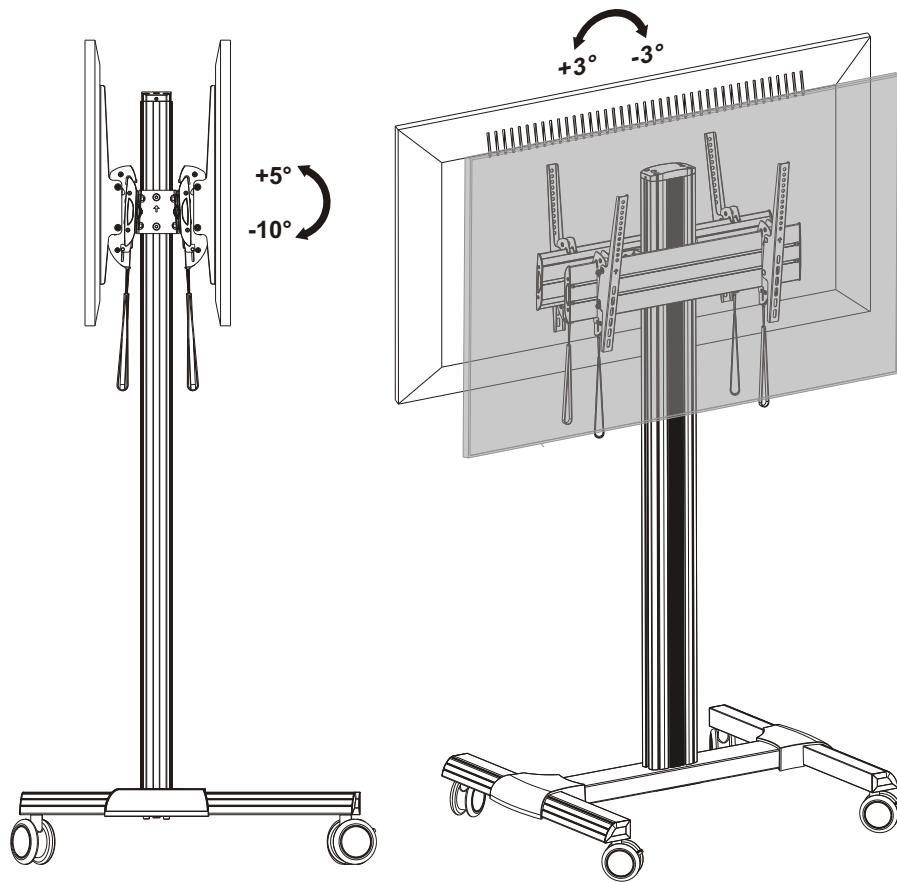




## 14. Adjustment



### Maintenance

- Check that the bracket is secure and safe to use at regular intervals (at least every three months).
- Please contact your distributor if you have any questions.

PUREMounts® DS

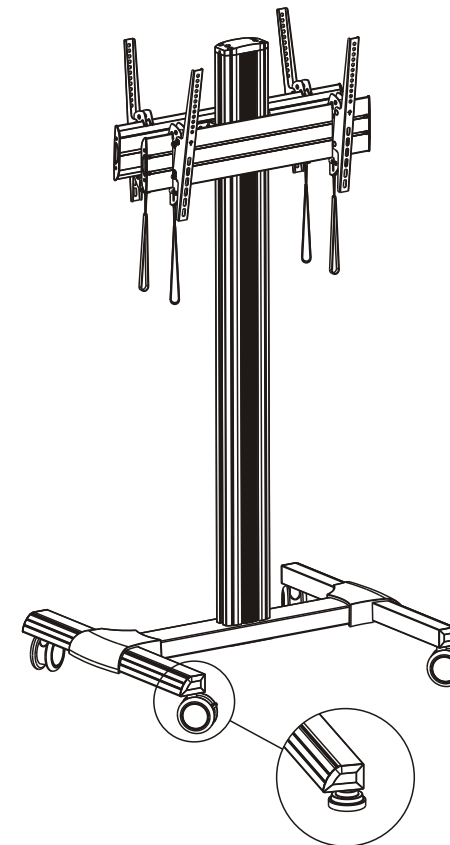
is a trademark of PureLink GmbH

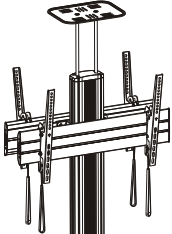
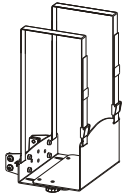
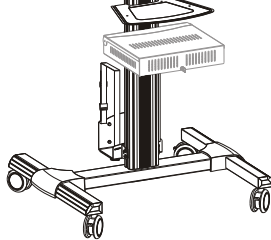

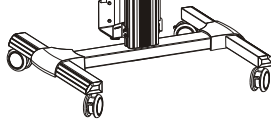

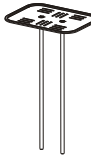
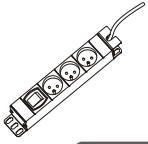
Von-Liebig-Straße 10  
D-48432 Rheine  
Germany

PUREMounts® DS

INSTALLATION MANUAL

## Flat Panel Mobile Cart/Floor Stand and Accessories









Optional Accessories	
	
	
	
	

**Note:** The accessories are not standard. The accessories will be selected according to user requirement.



**CAUTION:** DO NOT EXCEED RATED LISTED WEIGHT. SERIOUS INJURY OR PROPERTY DAMAGE MAY OCCUR!

<b>PDS-2032C</b>	 200x200/300x300 400x200/400x400 600x400	 70" MAX	 60kgx2 (132lbsx2) RATED	 10kg (22lbs) RATED	All accessories
<b>PDS-2032S</b>	 200x200/300x300 400x200/400x400 600x400	 70" MAX			

ISSUED: MAR. 2014

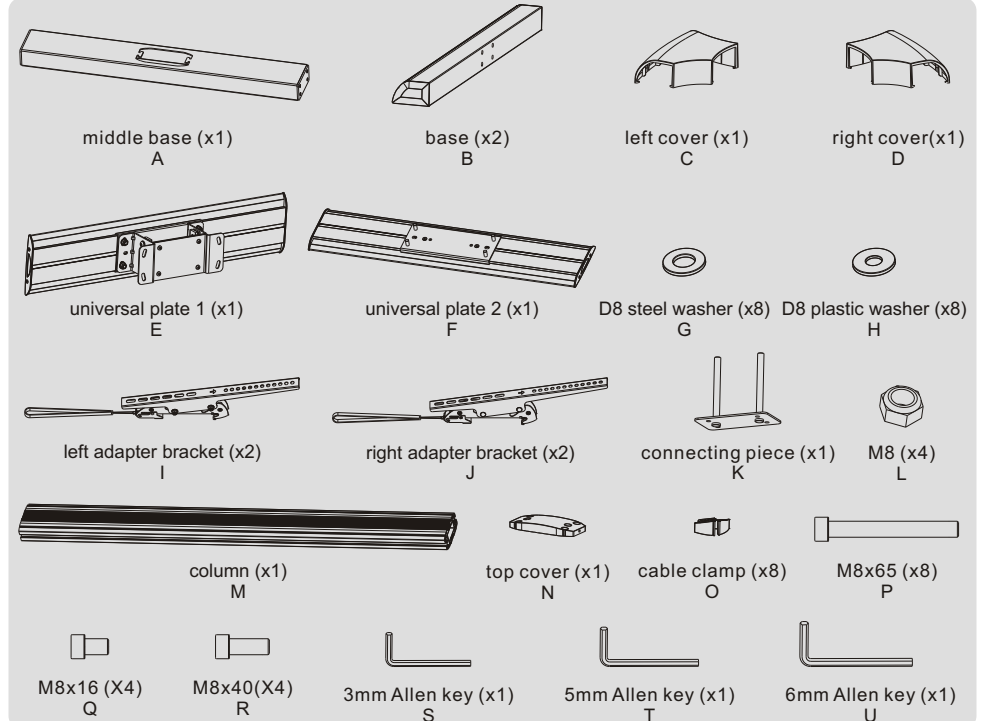
**NOTE:** Read the entire instruction manual before you start installation and assembly.

## ⚠ WARNING

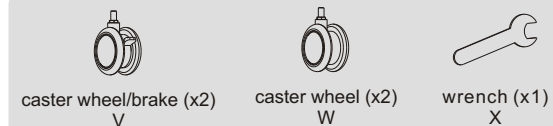
- Do not begin the installation until you have read and understood all the instructions and warnings contained in this installation sheet. If you have any questions regarding any of the instructions or warnings, please contact your local distributor.
- This mounting bracket was designed to be installed and utilised **ONLY** as specified in this manual. Improper installation of this product may cause damage or serious injury.
- Always use an assistant or mechanical lifting equipment to safely lift and position the equipment.
- Tighten screws firmly, but do not over tighten. Over tightening can cause damage to the items, This greatly reduces their holding power.
- This product is intended for indoor use only. Using this product outdoors could lead to product failure and personal injury.

**IMPORTANT:** Ensure that you have received all parts according to the component checklist prior to installation. If any parts are missing or faulty, telephone your local distributor for a replacement.

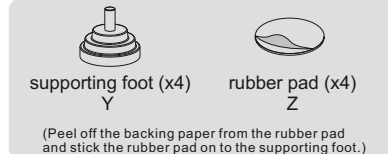
### PDS-2032C/PDS-2032S



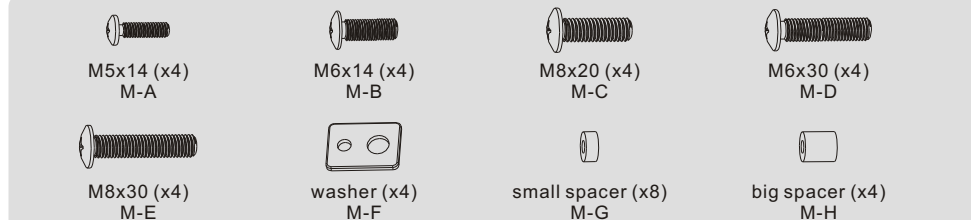
#### Component (PDS-2032C only)



#### Component (PDS-2032S only)

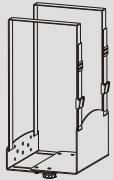


#### Package M (x2)



The following accessories are optional.

### PDS-2505



host machine rack (x1)  
T-A

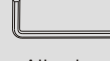


connecting piece (x1)  
T-B

#### Package P



M6x8 (x4)  
P-A

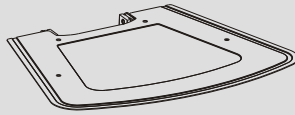


4mm Allen key (x1)  
P-B



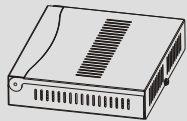
silicone pad (x8)  
P-C

### PDS-2502



iron shelf (x1)  
T-C

### PDS-2503/PDS-2504



laptop box (x1)  
T-D

#### PDS-2503 only



connecting piece (x1)  
T-E

#### Package P



M6x8 (x4)  
P-D

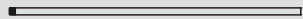


D6 washer (x4)  
P-E



key (x1)  
P-F

### PDS-2501

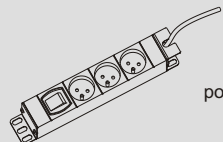


support rod (x2)  
T-F



camera shelf (x1)  
T-G

### PDS-9501

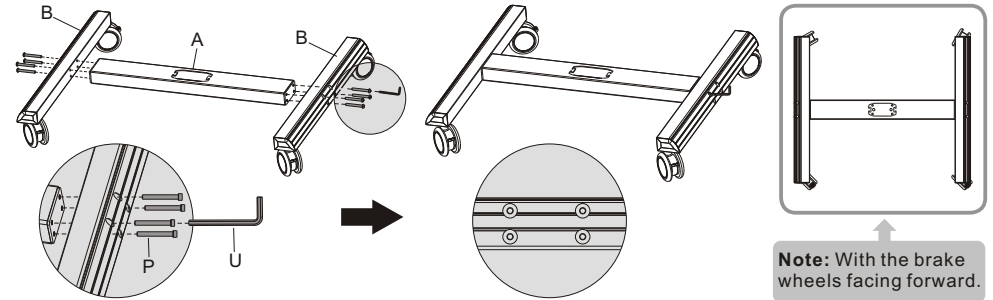


power socket (x1)  
T-H



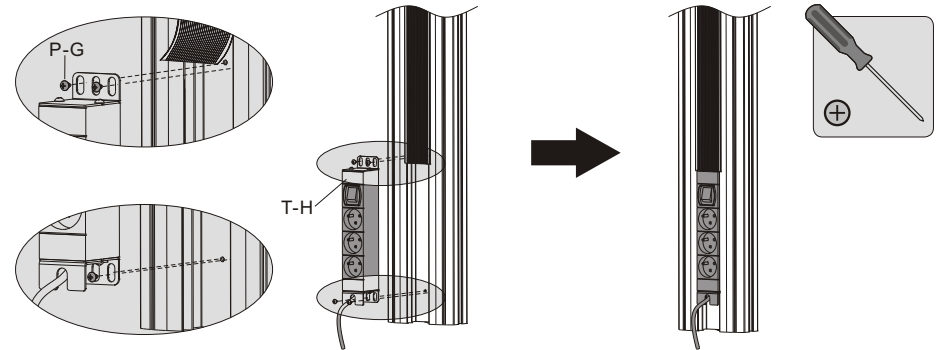
ST4.8x9.5 (x4)  
P-G

## 1. Assembling the Base



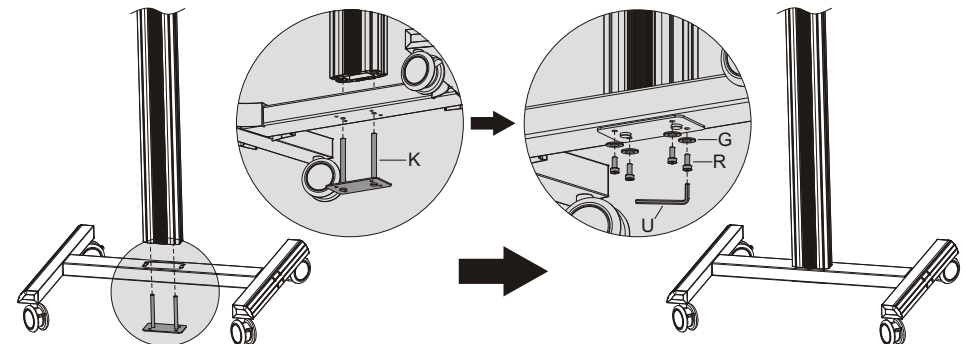
Attach the left and right base to the middle base using the appropriate screws. Tighten all screws with an Allen key.

## 2. For the model PDS-9501 installation (Assembly based on the accessories selected by user.)



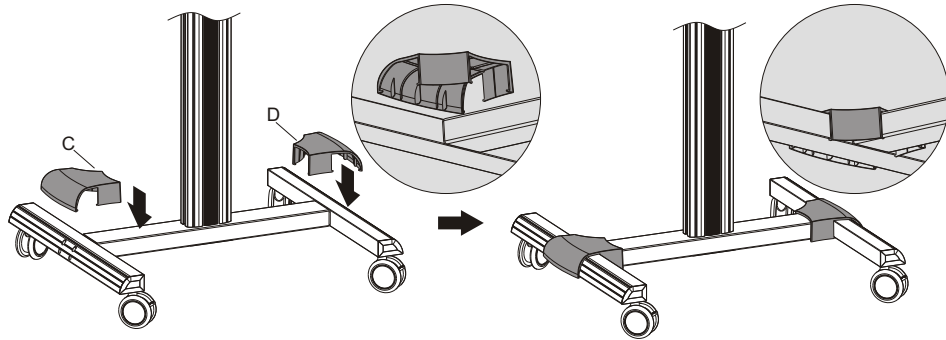
Attach the power socket to the back of column using the appropriate screws. Tighten all screws with a Phillips screwdriver.

## 3. Attaching the Column to the Base



Attach the column to the assembled base using the connecting piece, secure them with the appropriate screws.  
**NOTE:** Lock the brakes on the casters to avoid any sudden movements during installation.

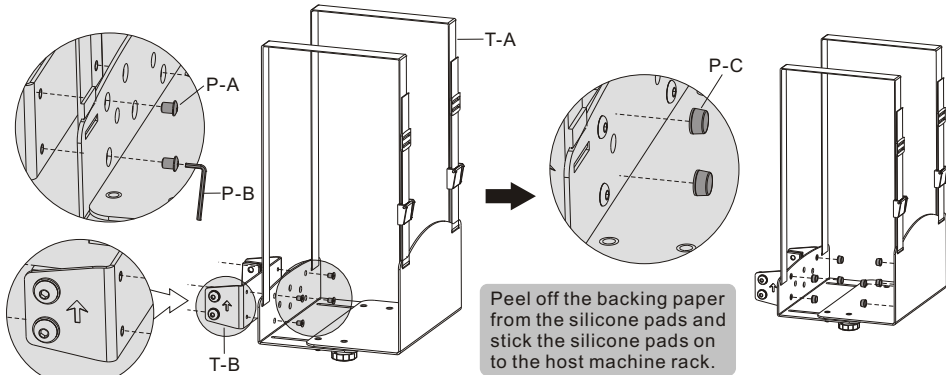
#### 4. Installing the Covers



#### 5. For the model PDS-2505 installation

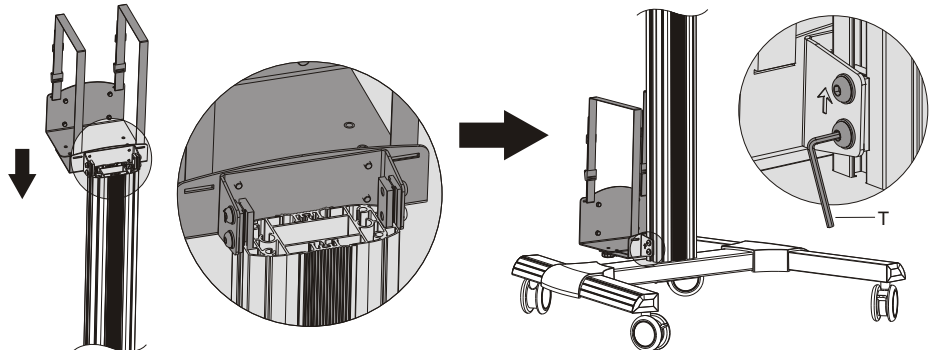
(Assembly based on the accessories selected by user.)

##### 5-1: Installing the host machine rack on the back of the column



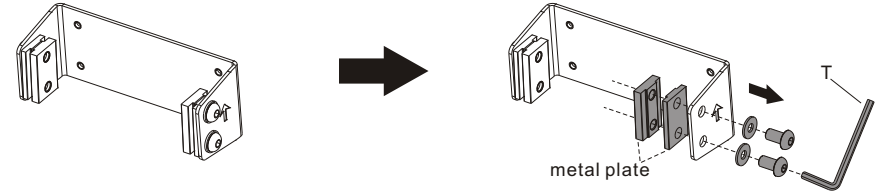
Attach the connecting piece to the host machine rack using the appropriate screws. Tighten all screws with an Allen key.

**NOTE:** With the arrow pointing upward.

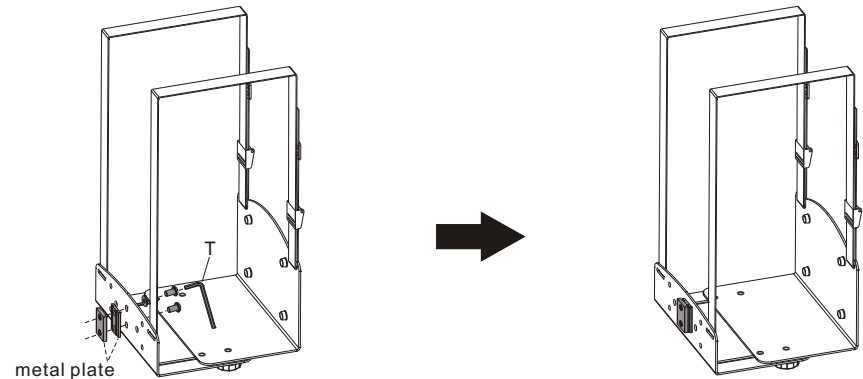


Insert the host machine rack to the desired position along the column rails. Tighten all screws to secure it with an Allen key.

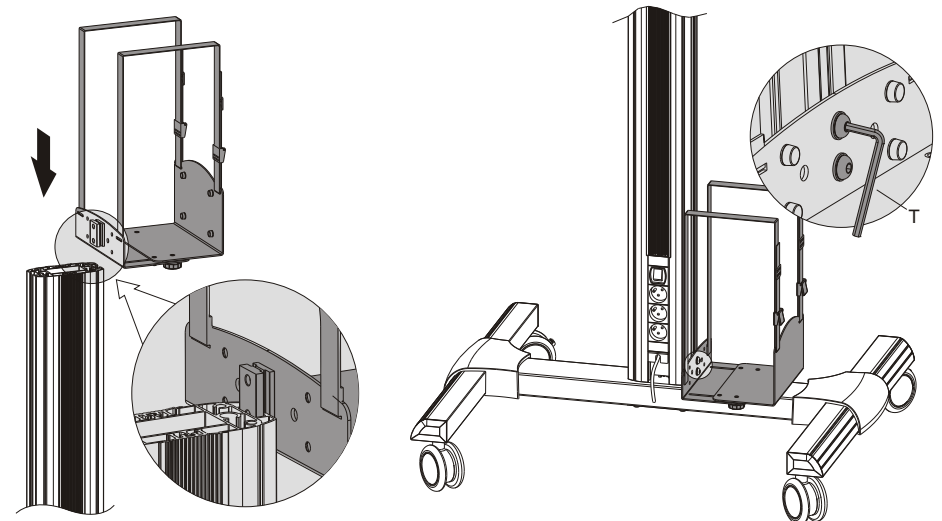
##### 5-2: Installing the host machine rack on the side of the column (If the power socket is installed on the back of the column)



Loosen the screws in order to separate the metal plate from the connecting piece.

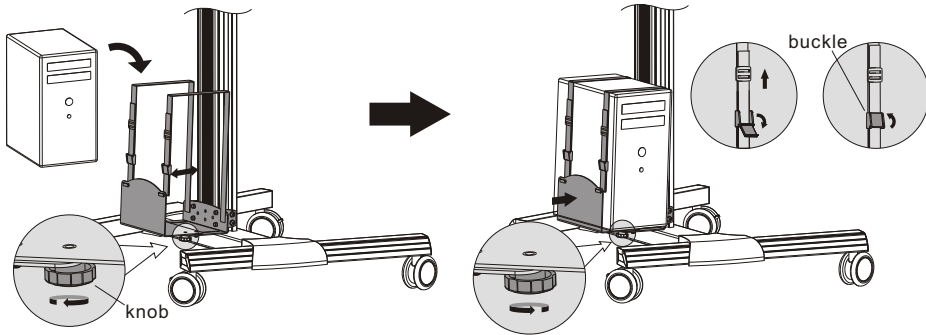


Attach the previously removed plates to the host machine rack using the previously removed screws. Tighten all screws with an Allen key.



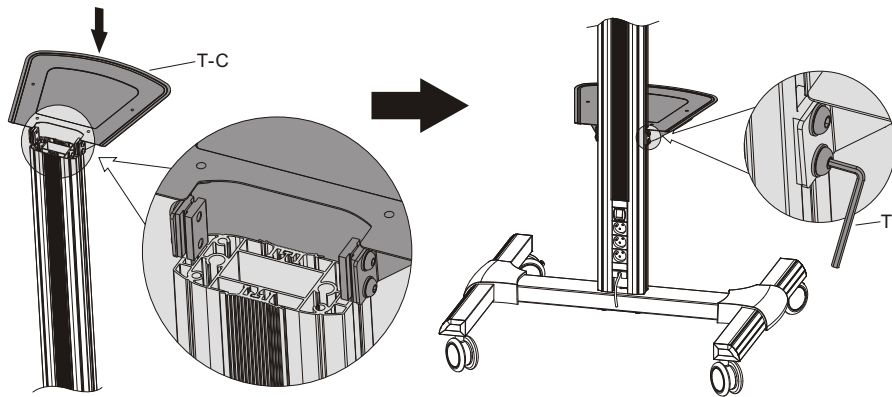
Insert the host machine rack to the desired position along the column rails. Tighten all screws to secure it with an Allen key.





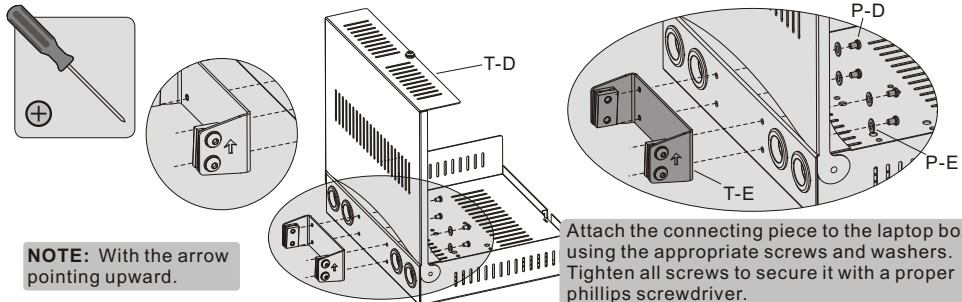
- Loosen the knobs to pull one side of the rack to make it keep the maximum space.
- Put the host machine in the rack and push gently on one side of the rack to keep it close to the host machine, then tighten the knobs to secure.
- Use the adjustable buckles to hold the machine firmly in place.

### 6. For the model PDS-2502 installation (Assembly based on the accessories selected by user.)



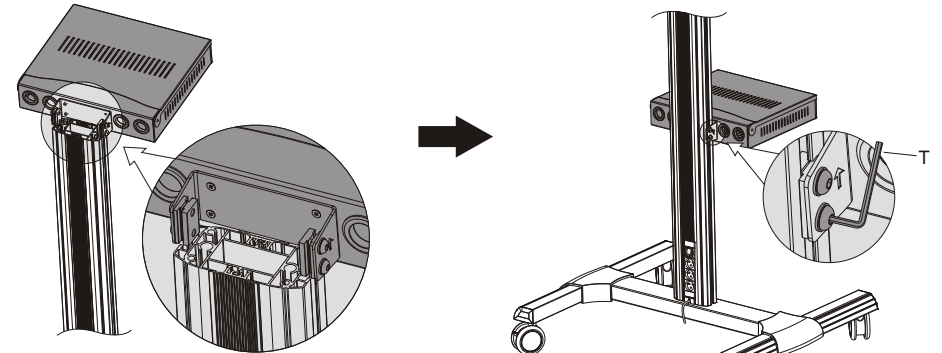
Insert the iron shelf to the desired position along the column rails. Secure it by tightening screws with an Allen key.

### 7. For the model PDS-2503 installation (Assembly based on the accessories selected by user.)

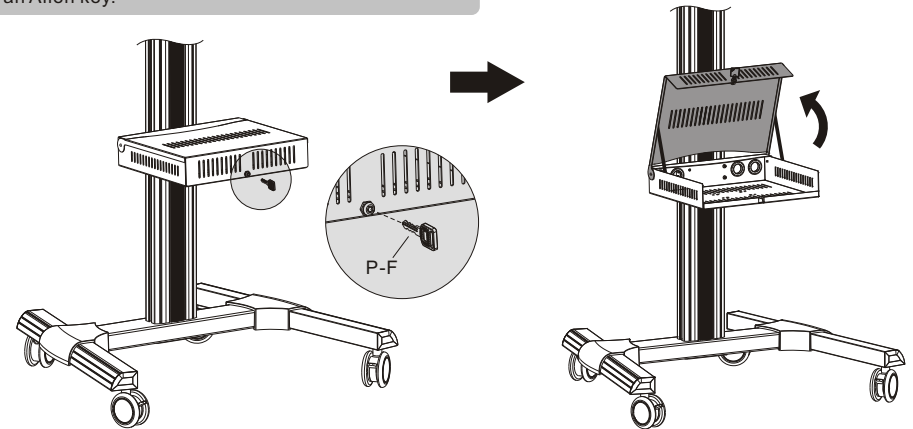


**NOTE:** With the arrow pointing upward.

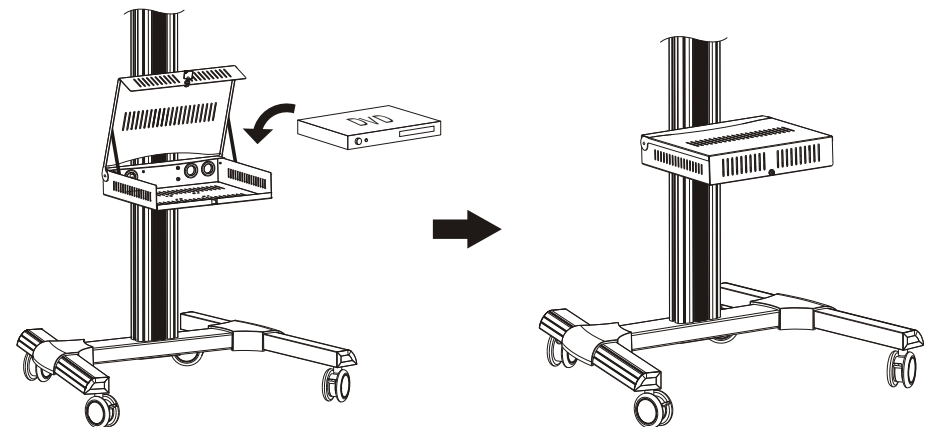
Attach the connecting piece to the laptop box using the appropriate screws and washers. Tighten all screws to secure it with a proper phillips screwdriver.



Insert the laptop box to the desired position along the column rails. Tighten all screws to secure it with an Allen key.

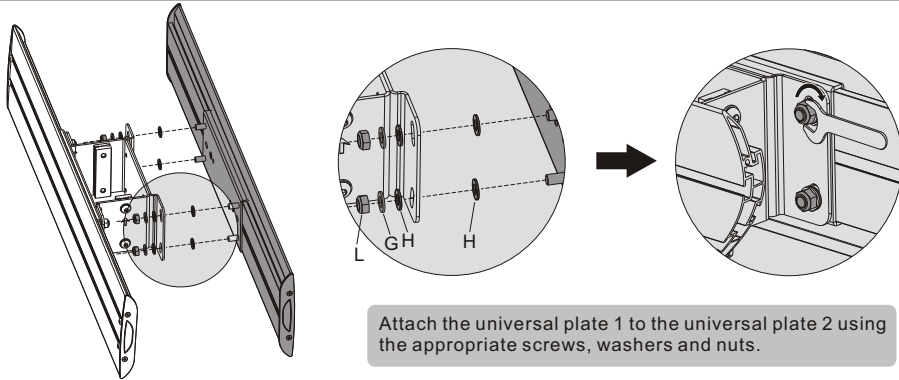


Use the key to open the laptop box.



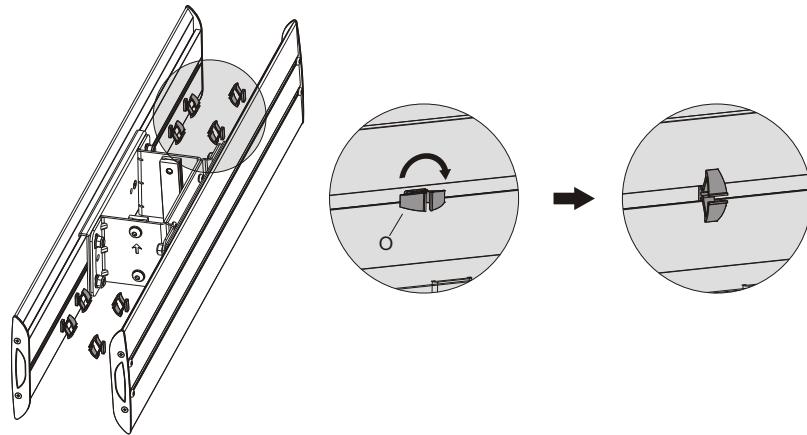
Put the DVD into the box gently, then close the box and lock it.

### 8. Assembling the Universal Plates

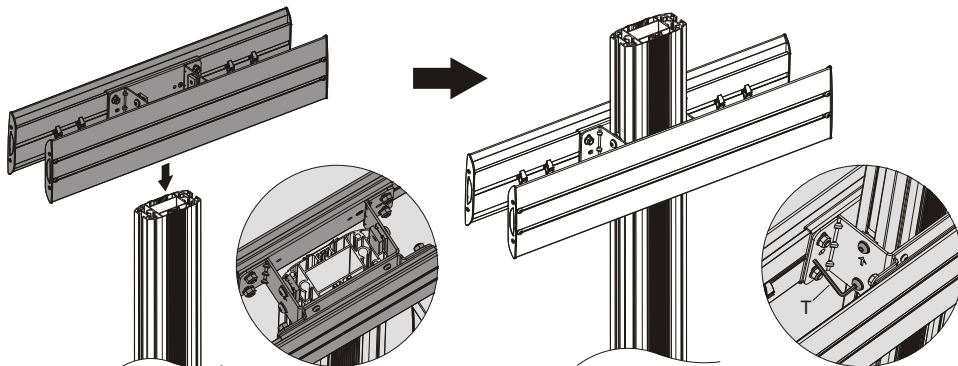


Attach the universal plate 1 to the universal plate 2 using the appropriate screws, washers and nuts.

### 9. Installing the Cable Clamps

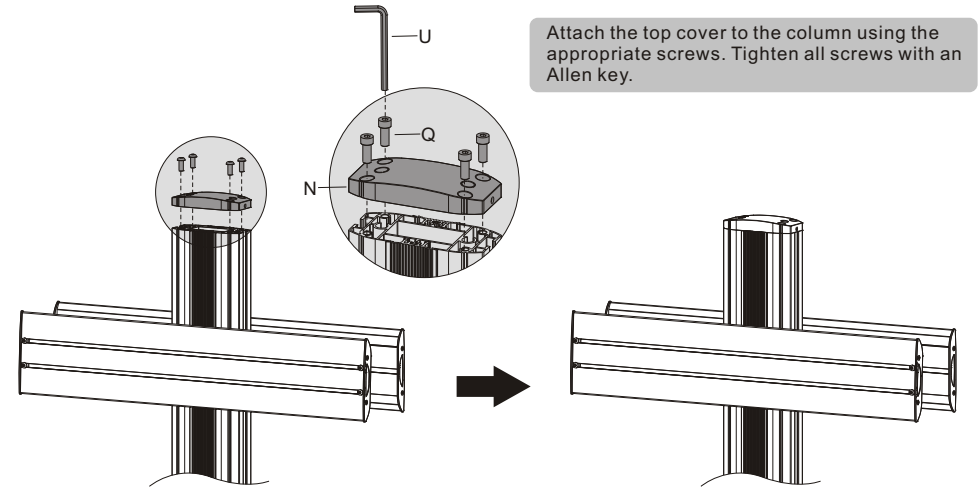


### 10. Installing the Universal Plate



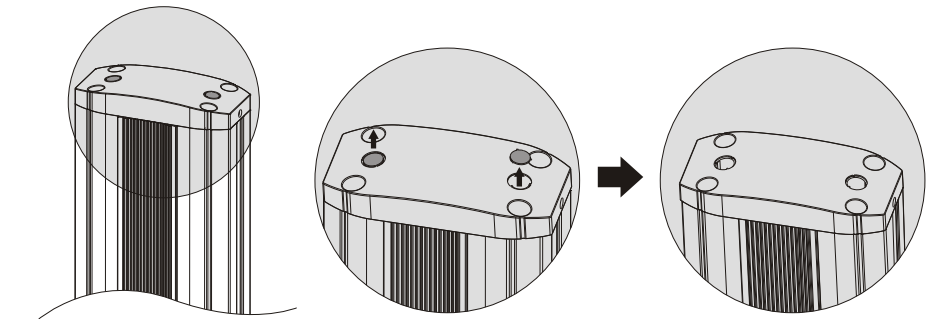
Insert the universal plate to the desired position along the column rails.  
Tighten all screws to secure it with an Allen key.  
**NOTE:** With the arrow pointing upward.

### 11. Installing the Top Cover

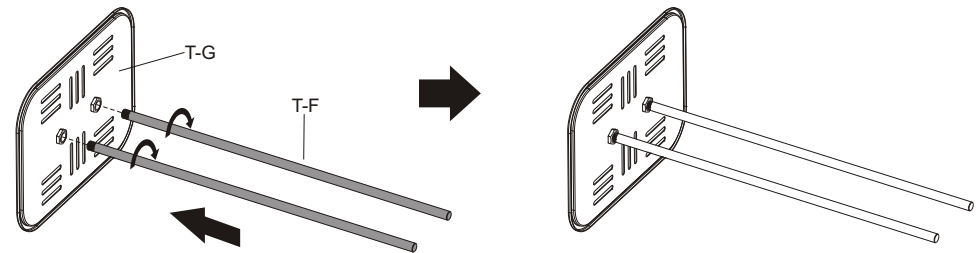


Attach the top cover to the column using the appropriate screws. Tighten all screws with an Allen key.

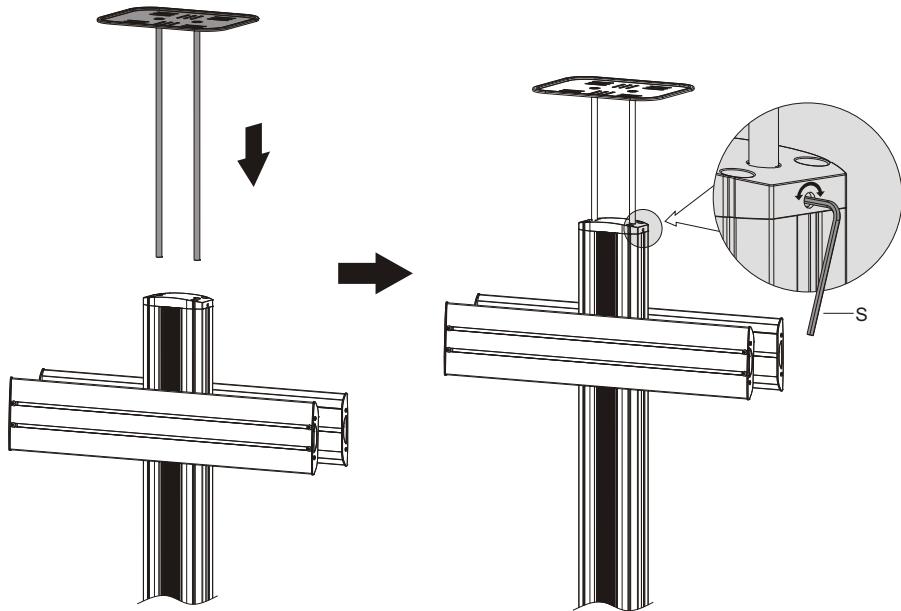
### 12. For the model PDS-2501 installation (Assembly based on the accessories selected by user.)



Remove two plastic caps for the camera shelf installation.

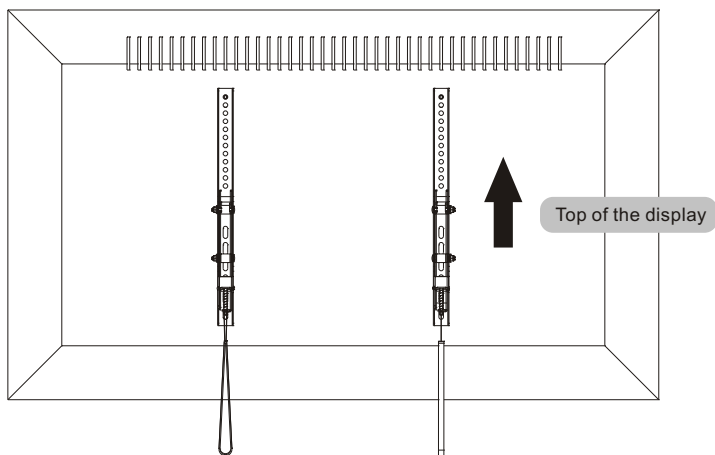


Tighten the support rods to the camera shelf.



Insert the support rods to the desired position (Determine the position for support mount keeping in mind display size.) along the column slots and tighten both screws to secure the support mount.

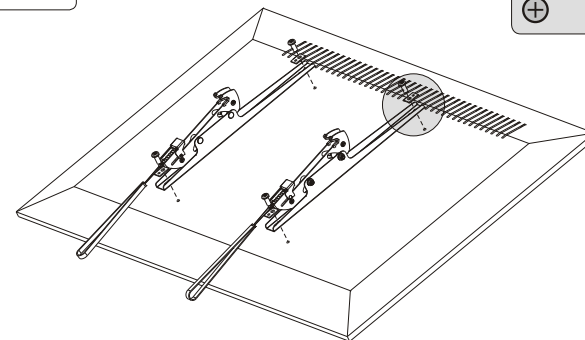
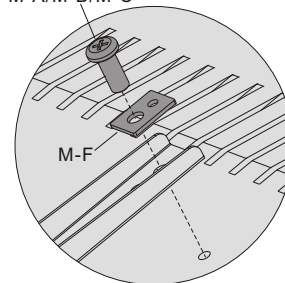
### 13. Installing the Adapter Brackets



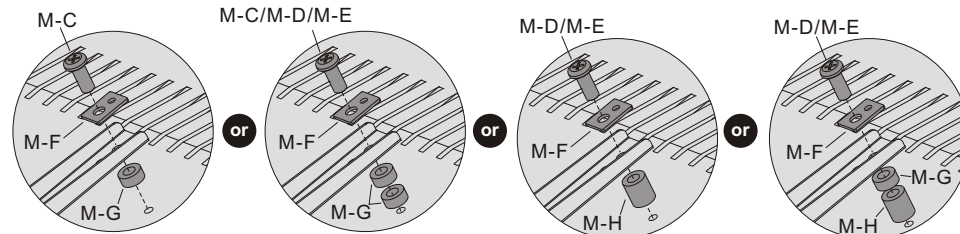
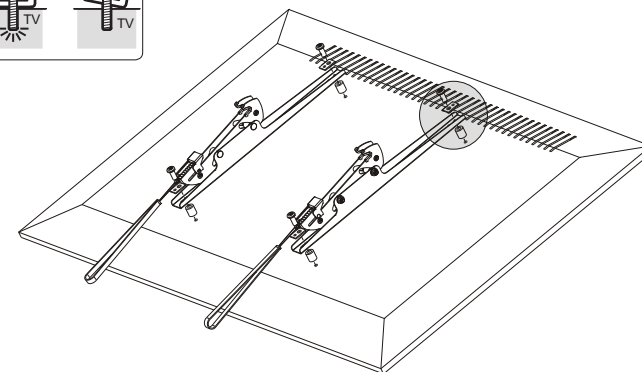
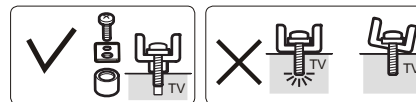
#### 13-1 For Flat Back Screens



M-A/M-B/M-C



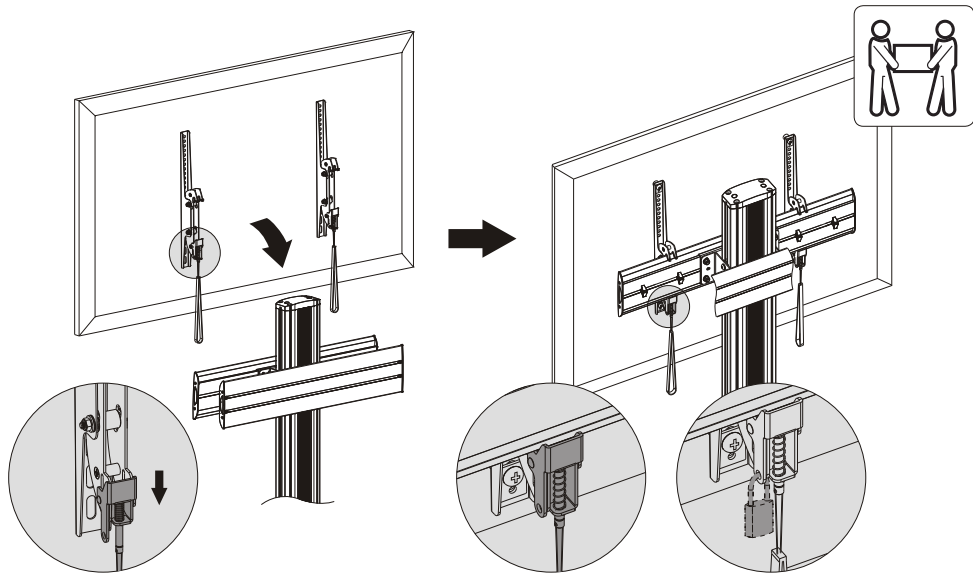
#### 13-2 For Recessed Back Screens or to Access A/V Inputs



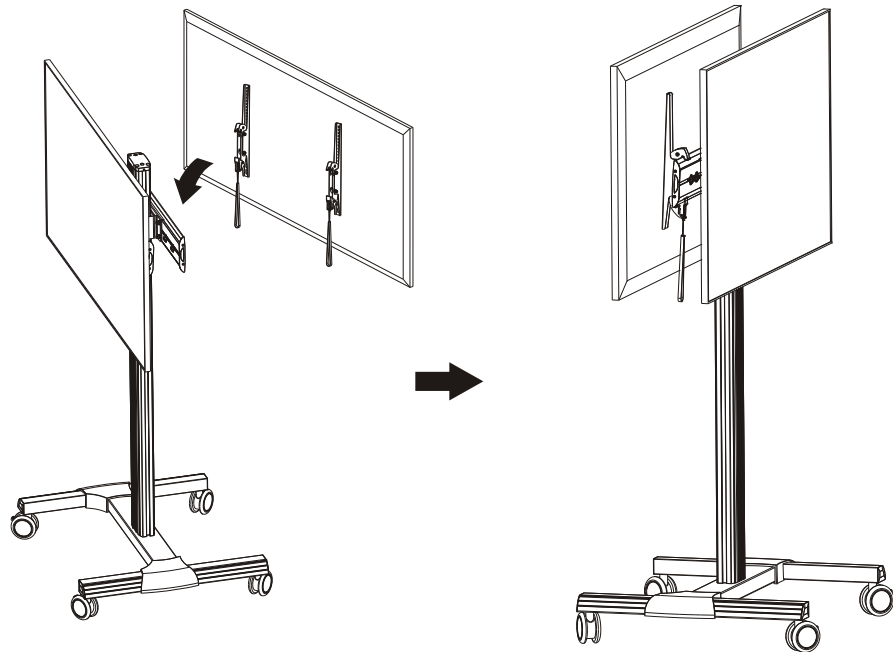
**Note:** Choose the appropriate screws, washers and spacers (if necessary) according to the type of screens.  
 • Position the adapter brackets as close as possible to the center of the displays.  
 • Screw the adapter brackets onto the displays.

**⚠ Tighten all screws but do not over tighten.**

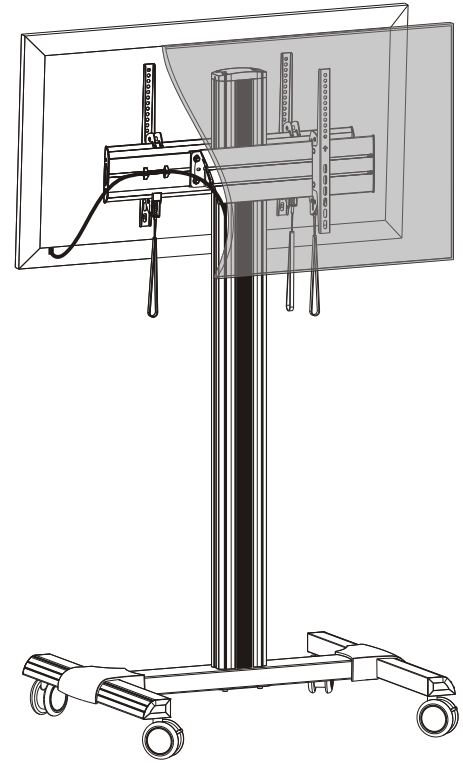
### 14. Hanging the Displays onto the Universal Plates



- Lift the display carefully and pull downward two straps at the same time, then hook the adapter brackets to the universal plate. Fasten the adapter brackets to the universal plate by releasing the straps.
- The other display is hung onto the universal plate in the same way.
- Use the padlocks to prevent the displays from being stolen (The padlocks are not included).



### 13. Cable Management



Run the cables through the cable clamps and the rubber strip.